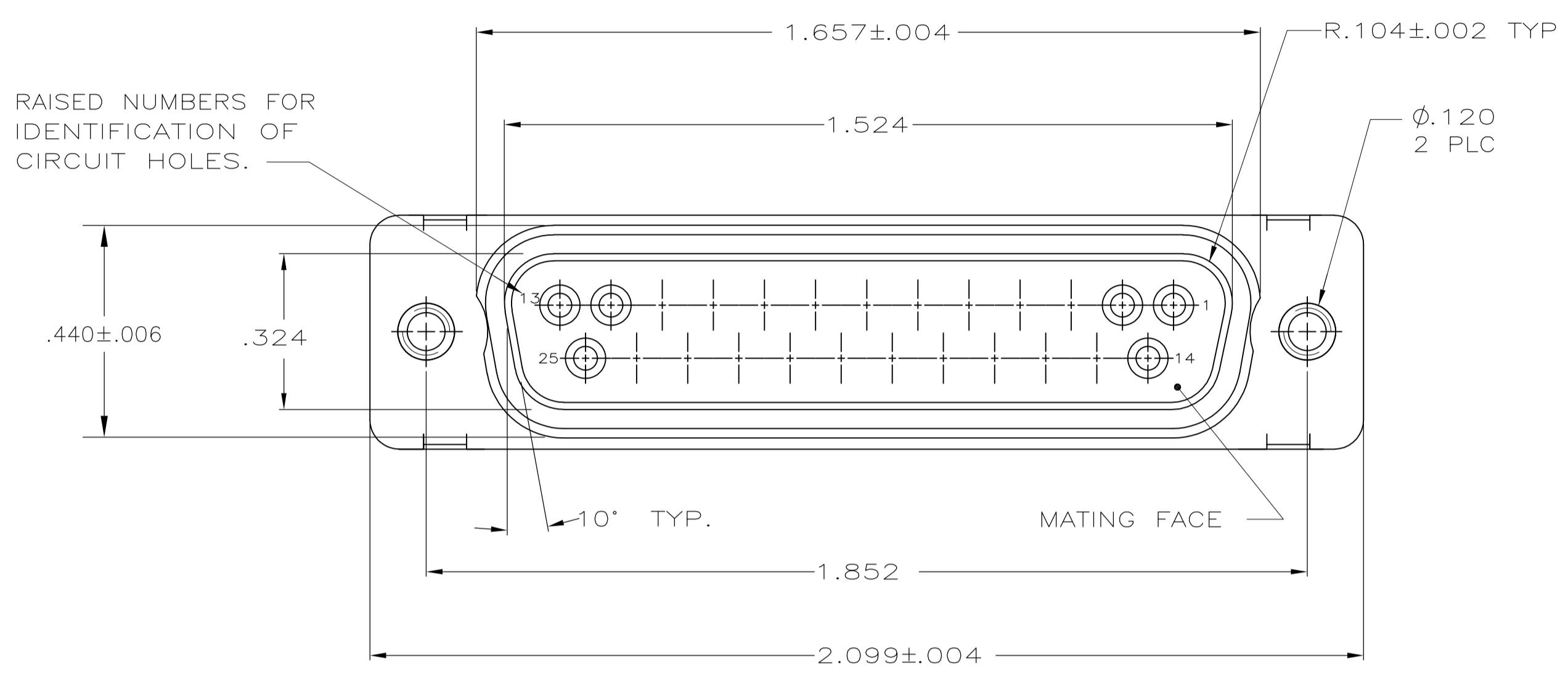
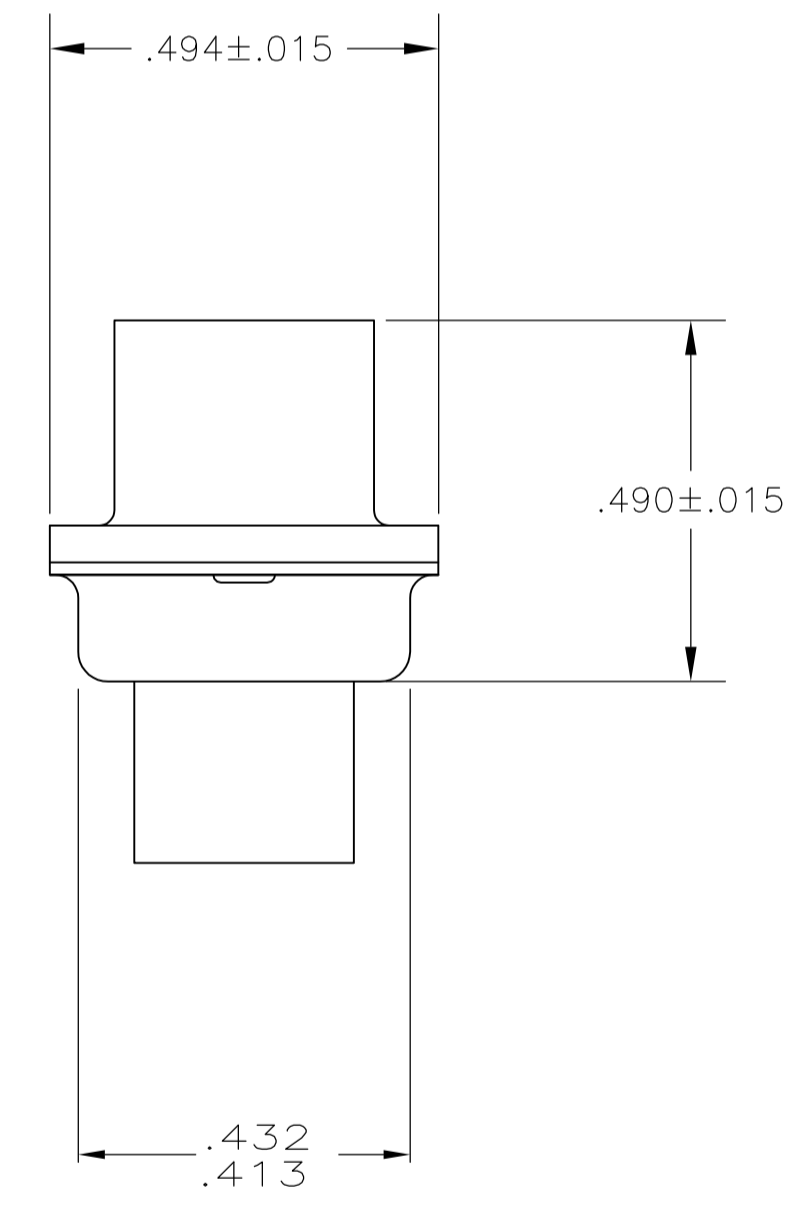
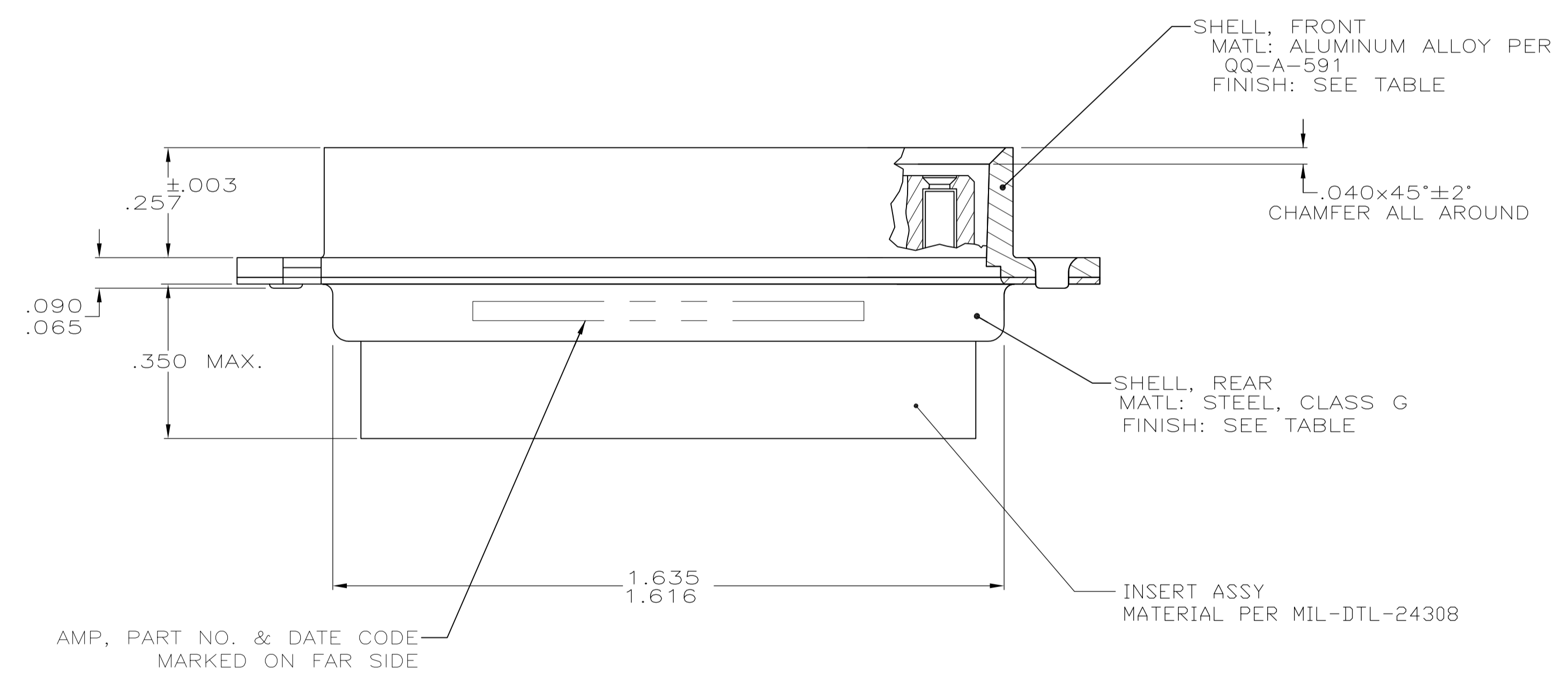


LOC		DIST		REVISIONS			
P	LTR	DESCRIPTION	DATE	DMN	APVD		
C		REV PER ECO 15-005916	5-29-15	CT	DM		



1. MAXIMUM WIRE INSULATION TO BE USED WITH THIS PLUG IS .068 DIA.
2. SST RETENTION CLIPS ARE INCLUDED IN INSERTS.
3. THIS PLUG WILL ACCEPT SIZE 20 SOCKET CONTACT M39029/63-368 OR AMP PART NUMBER 205090-1.
4. FINISH: CADMIUM PER QQ-P-416; YELLOW CHROMATE.
5. FINISH: ZINC PLATED PER ASTM-B-633 .000200 MIN THK WITH SUPPLEMENTARY CHROMATE (Cr3+).



5	5-1484950-1
4	1484950-1
FINISH	PART NO.

THIS DRAWING IS A CONTROLLED DOCUMENT.		DWG: C.C.THOMAS 8-28-02	TE Connectivity	
DIMENSIONS: INCHES		CHK: D.MILLER 8-28-02	NAME: PLUG ASSEMBLY,AMPLIMITE 25 POSN,SIZE 3, SERIES 109 BLINDMATE, REVERSE GENDER	
TOLERANCES UNLESS OTHERWISE SPECIFIED:		APP'D: D.MILLER 8-28-02	PRODUCT SPEC	
0 PLC ± -		APPLICATION SPEC		
1 PLC ± -		SIZE: A1		
2 PLC ± -		CAGE CODE: 00779		
3 PLC ± .005		DRAWING NO: 1484950		
4 PLC ± -		RESTRICTED TO: -		
ANGLES ± # 0° 30°		WEIGHT: -		
MATERIAL: SEE CALLOUTS	FINISH: SEE CALLOUTS	CUSTOMER DRAWING		SCALE: 4:1 SHEET: 1 OF 1 REV: C