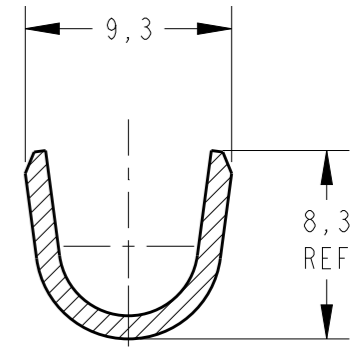
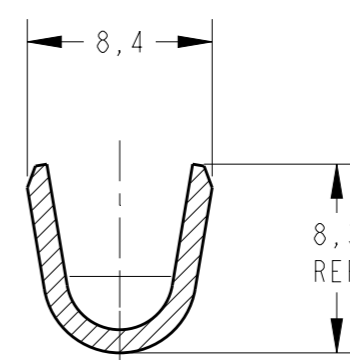
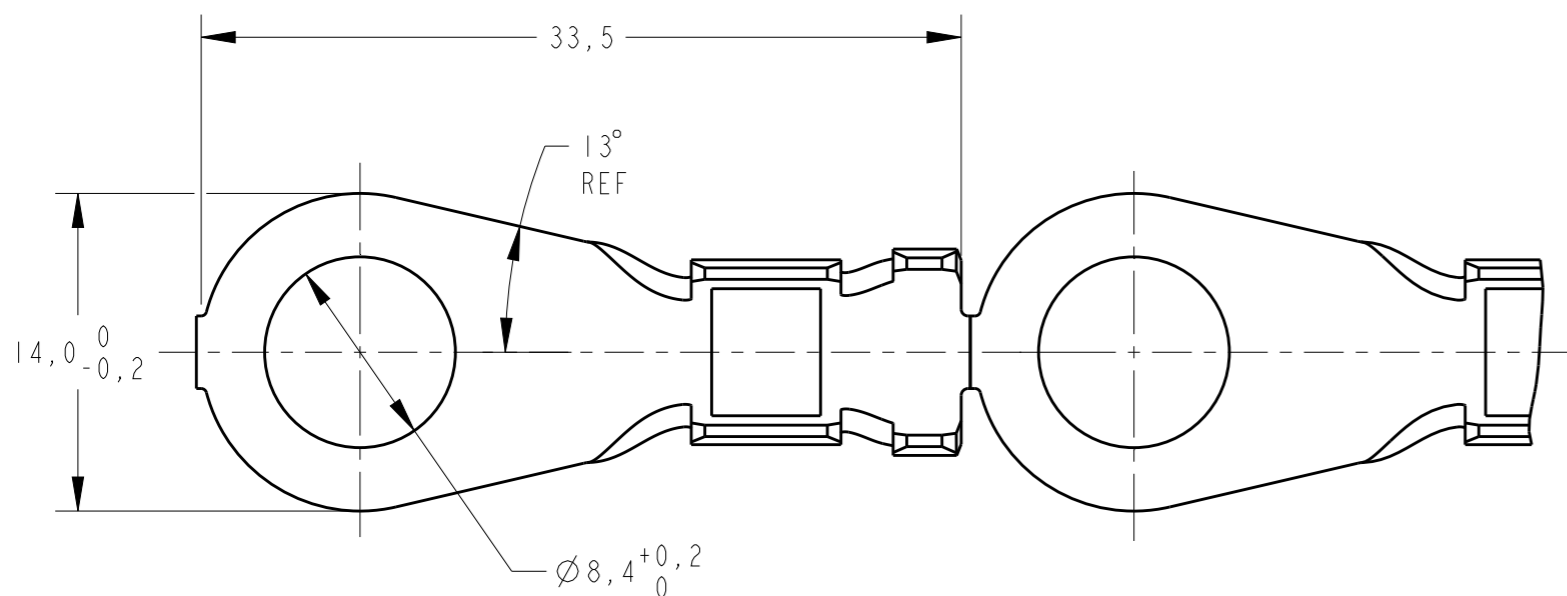


creo
Creo Parametric 2.0
**DO NOT REVISE
EXCEPT BY CAD**

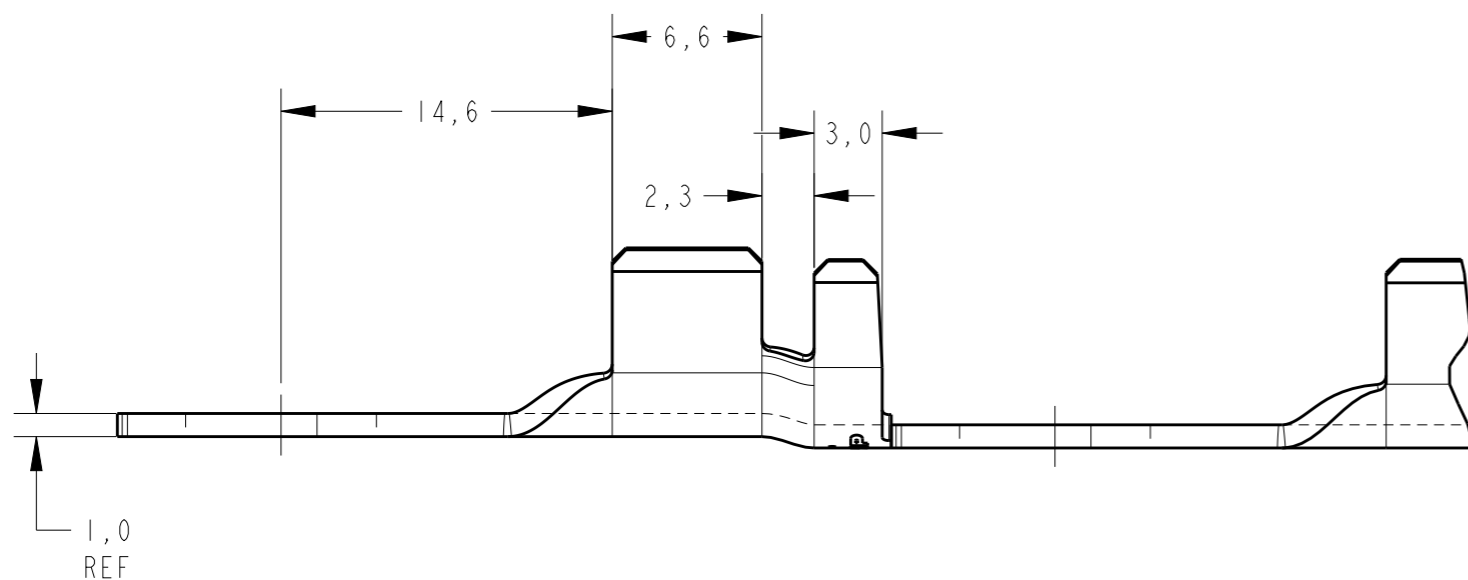
REVISIONS

P	LTR	DESCRIPTION	DATE	DWN	APVD
	A	REDRAW BY CAD ECO-14-013530	08SEP2014	NCL	LWP
	AI	REV.BY ECO 16-006124	10JUN2016	HC	WLS



SECTION A-A
SCALE 3:1

SECTION B-B
SCALE 3:1



OBSOLETE	ESTANHADO / TINNER	BRONZE FOSFOROSO	881001-4
	—	BRONZE FOSFOROSO	881001-3
	ESTANHADO / TINNER	LATÃO / BRASS	881001-2
OBSOLETE		LATÃO / BRASS	881001-1
	FINISH	MATERIAL	PART NO

Ø 4,6-6,6mm.	6,0-10,0mm2
INSUL RANGE	WIRE RANGE

THIS DRAWING IS A CONTROLLED DOCUMENT.

DIMENSIONS: mm	TOLERANCES UNLESS OTHERWISE SPECIFIED:
	0 PLC ±-
	1 PLC ±0,5
	2 PLC ±-
	3 PLC ±-
	4 PLC ±-
	ANGLES ±°
MATERIAL SEE TABLE	FINISH SEE TABLE

DWN	08SEP2014
NCLAPRESA	
CHK	08SEP2014
FCHRISTIANO	
APVD	08SEP2014
IWPRADO	
PRODUCT SPEC	-
APPLICATION SPEC	-
WEIGHT	-
Customer Drawing	

TE Connectivity			
RING TONGUE			
SIZE	CAGE CODE	DRAWING NO	RESTRICTED TO
A3	00779	C-881001	-
SCALE 3:1		SHEET 1 OF 1	REV AI



PERSPECTIVE VIEW
SCALE 1:1