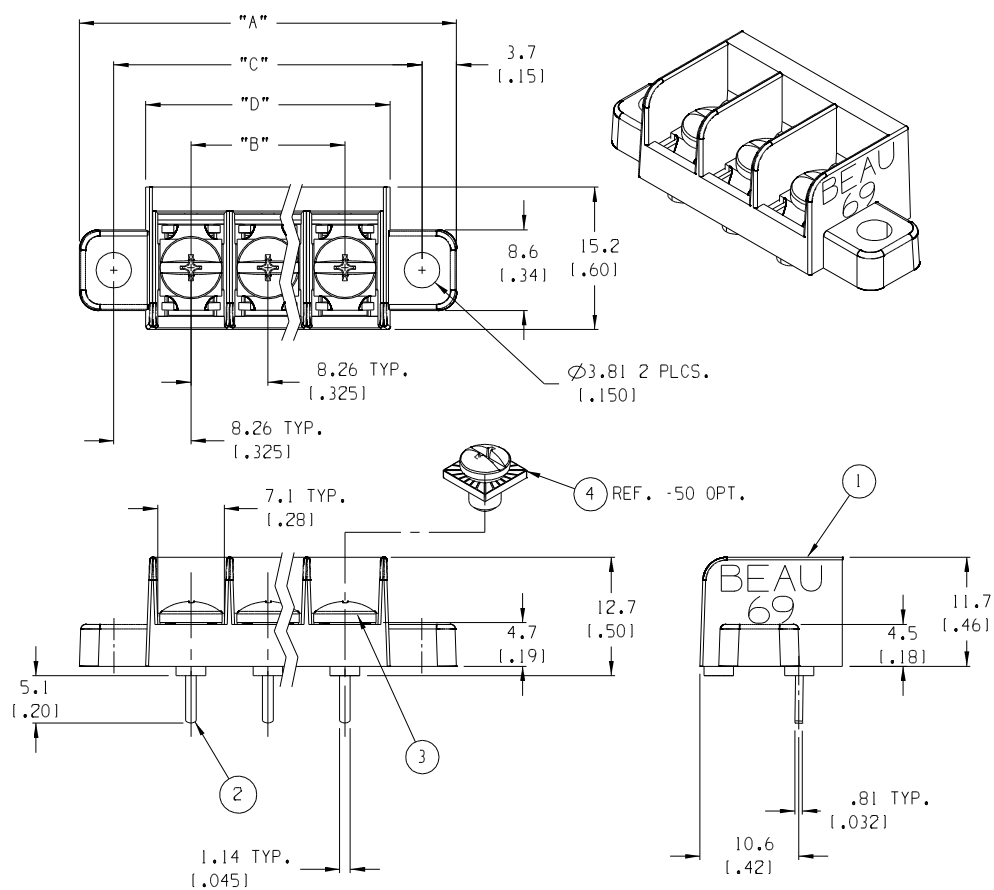
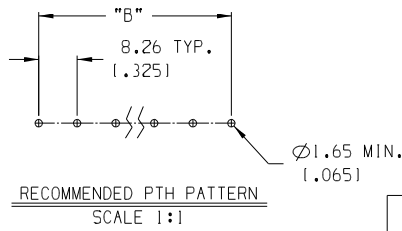


| # OF CIRC. "XX" | "A" | "B" | "C" | "D" | MATERIAL NO. (STD) | MATERIAL NO. (-50 OPTION) |
|-----------------|---------------|-----------------|-----------------|----------------|--------------------|---------------------------|
| 01 | 23.9 [1.94] | - | 16.51 [1.650] | 9.7 [1.381] | 386906401 | 386907601 |
| 02 | 32.1 [1.27] | 8.26 [1.325] | 24.77 [1.975] | 17.9 [1.711] | 386906402 | 386907602 |
| 03 | 40.4 [1.59] | 16.51 [1.650] | 33.02 [1.300] | 26.2 [1.031] | 386906403 | 386907603 |
| 04 | 48.6 [1.92] | 24.77 [1.975] | 41.28 [1.625] | 34.4 [1.361] | 386906404 | 386907604 |
| 05 | 56.9 [2.24] | 33.02 [1.300] | 49.53 [1.950] | 42.7 [1.681] | 386906405 | 386907605 |
| 06 | 65.2 [2.57] | 41.28 [1.625] | 57.79 [2.275] | 50.9 [2.011] | 386906406 | 386907606 |
| 07 | 73.4 [2.89] | 49.53 [1.950] | 66.04 [2.600] | 59.2 [2.331] | 386906407 | 386907607 |
| 08 | 81.7 [3.22] | 57.79 [2.275] | 74.30 [2.925] | 67.4 [2.661] | 386906408 | 386907608 |
| 09 | 89.9 [3.54] | 66.04 [2.600] | 82.55 [3.250] | 75.7 [2.981] | 386906409 | 386907609 |
| 10 | 98.2 [3.87] | 74.30 [2.925] | 90.81 [3.575] | 83.9 [3.311] | 386906410 | 386907610 |
| 11 | 106.4 [4.19] | 82.55 [3.250] | 99.06 [3.900] | 92.2 [3.631] | 386906411 | 386907611 |
| 12 | 114.7 [4.52] | 90.81 [3.575] | 107.32 [4.225] | 100.5 [3.961] | 386906412 | 386907612 |
| 13 | 122.9 [4.84] | 99.06 [3.900] | 115.57 [4.550] | 108.7 [4.281] | 386906413 | 386907613 |
| 14 | 131.2 [5.17] | 107.32 [4.225] | 123.83 [4.875] | 117.0 [4.611] | 386906414 | 386907614 |
| 15 | 139.4 [5.49] | 115.57 [4.550] | 132.08 [5.200] | 125.2 [4.931] | 386906415 | 386907615 |
| 16 | 147.7 [5.82] | 123.83 [4.875] | 140.34 [5.525] | 133.5 [5.261] | 386906416 | 386907616 |
| 17 | 156.0 [6.14] | 132.08 [5.200] | 148.59 [5.850] | 141.7 [5.581] | 386906417 | 386907617 |
| 18 | 164.2 [6.47] | 140.34 [5.525] | 156.85 [6.175] | 150.0 [5.911] | 386906418 | 386907618 |
| 19 | 172.5 [6.79] | 148.59 [5.850] | 165.10 [6.500] | 158.2 [6.231] | 386906419 | 386907619 |
| 20 | 180.7 [7.12] | 156.85 [6.175] | 173.36 [6.825] | 166.5 [6.561] | 386906420 | 386907620 |
| 21 | 189.0 [7.44] | 165.10 [6.500] | 181.61 [7.150] | 174.8 [6.881] | 386906421 | 386907621 |
| 22 | 197.2 [7.77] | 173.36 [6.825] | 189.87 [7.475] | 183.0 [7.211] | 386906422 | 386907622 |
| 23 | 205.5 [8.09] | 181.61 [7.150] | 198.12 [7.800] | 191.3 [7.531] | 386906423 | 386907623 |
| 24 | 213.7 [8.42] | 189.87 [7.475] | 206.38 [8.125] | 199.5 [7.861] | 386906424 | 386907624 |
| 25 | 222.0 [8.74] | 198.12 [7.800] | 214.63 [8.450] | 207.8 [8.181] | 386906425 | 386907625 |
| 26 | 230.3 [9.07] | 206.38 [8.125] | 222.89 [8.775] | 216.0 [8.511] | 386906426 | 386907626 |
| 27 | 238.5 [9.39] | 214.63 [8.450] | 231.14 [9.100] | 224.3 [8.831] | 386906427 | 386907627 |
| 28 | 246.8 [9.72] | 222.89 [8.775] | 239.40 [9.425] | 232.5 [9.161] | 386906428 | 386907628 |
| 29 | 255.0 [10.04] | 231.14 [9.100] | 247.65 [9.750] | 240.8 [9.481] | 386906429 | 386907629 |
| 30 | 263.3 [10.37] | 239.40 [9.425] | 255.91 [10.075] | 249.0 [9.811] | 386906430 | 386907630 |
| 31 | 271.5 [10.69] | 247.65 [9.750] | 264.16 [10.400] | 257.3 [10.131] | 386906431 | 386907631 |
| 32 | 279.8 [11.02] | 255.91 [10.075] | 272.42 [10.725] | 265.6 [10.461] | 386906432 | 386907632 |



NOTES:

1. MATERIAL: SEE TABLE
2. FINISHES: SEE TABLE
3. PRODUCT SPECIFICATION: NOT REQUIRED
4. PACKAGING: NOT REQUIRED
5. MATES WITH: NONE
6. "XX" REFERS TO THE QUANTITY OF CIRCUITS.



| ITEM | QTY. | DESCRIPTION | MATERIAL | FINISH |
|------|------|--|----------|--------------------|
| 4 | XX | SCREW, #6-32X.250, PAN HD, W/ SO. WASHER, -50 OPT. | STEEL | ZN, CLEAR CHROMATE |
| 3 | XX | SCREW, #6-32X.250, PAN HD, PHIL-SLOT | BRASS | NICKEL PLATE |
| 2 | XX | TERMINAL, PC | BRASS | TIN PLATE |
| 1 | 1 | INSULATOR, SR, CS, MOLDED MTG. | VALOX | BLACK |

| | | | | | | | |
|--|--|--|--|---|--|--|-------------------------------|
| EC NO. RELEASED DRWIN: CLY CH: K1 APPR: | DESCRIPTION MAJOR CRITICAL SPC S | QUALITY SYMBOLS | GENERAL TOLERANCES: (UNLESS SPECIFIED) mm INCH 4 PLACES ±.0015 3 PLACES ±.038 ±.005 2 PLACES ±.13 ±.01 1 PLACE ±.3 | SCALE 2:1 DESIGN UNITS <input type="checkbox"/> mm <input checked="" type="checkbox"/> INCH | THIRD ANGLE PROJECTION | DIMENSIONS: <input checked="" type="checkbox"/> mm <input type="checkbox"/> INCH <input type="checkbox"/> mm ONLY | SHT REV REVISE ON CAD ONLY |
| | | DRAWN BY & DATE C. YORK 05-28-05 | CHECKED BY & DATE | APPROVED BY & DATE | TITLE: 8.26mm [.325"] SR BTS, CS, PC ASSY | MOLEX INCORPORATED | |
| | | CAD FILENAME 695XX | MATERIAL NO. SEE CHART | DRAWING NO. SD-38690-002 | SHEET NO. 1 OF 1 | SIZE B | |
| | | DRAFT WHERE APPLICABLE MUST REMAIN WITHIN DIMENSIONS | | | | | |