

# BC 107,6 UT HBUS FS BK VPE80 - Mounting base housing



1006953

<https://www.phoenixcontact.com/us/products/1006953>

Please be informed that the data shown in this PDF document is generated from our online catalog. Please find the complete data in the user documentation. Our general terms of use for downloads are valid.



DIN rail housing for use in distribution boards in accordance with DIN 43880, Lower housing part with base latch, width: 107.6 mm, height: 89.7 mm, depth: 48.9 mm, color: black (9005), cross connection: DIN rail connector (optional), number of positions cross connector: 16

## Your advantages

- Coordinated housing and connection system for faster device development
- Individual online configuration for diverse applications in building automation
- Variety of connection technology
- Can be mounted on the DIN rail or the wall
- With DIN-rail-mountable bus connector and power connector system as an option
- Tool-free mounting
- Available in overall widths from one to nine HP (17.8 mm ... 161.6 mm)
- Compliant with DIN EN 43880

## Commercial data

Item number	1006953
Packing unit	1 pc
Minimum order quantity	480 pc
Sales key	AC10
Product key	ACHBAA
GTIN	4055626481043
Weight per piece (including packing)	46.404 g
Weight per piece (excluding packing)	42.9 g
Customs tariff number	84879090
Country of origin	DE

# BC 107,6 UT HBUS FS BK VPE80 - Mounting base housing

1006953

<https://www.phoenixcontact.com/us/products/1006953>

## Technical data

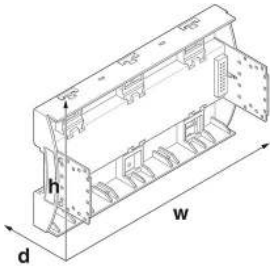
### Notes

General	Refer to the data sheet for the range in the download area.
---------	---

### Product properties

Product type	Enclosure bottom part
Product family	BC UT HBUS
Type	Lower housing part with base latch
Housing type	DIN rail housing for use in distribution boards in accordance with DIN 43880
Ventilation openings present	no
Housing series	BC

### Dimensions

Dimensional drawing	
Width	107.6 mm
Height	89.7 mm
Depth	48.9 mm
Horizontal pitch	6 Div.

### PCB design

PCB thickness	1.4 mm ... 1.8 mm
---------------	-------------------

### Material specifications

Color	black (9005)
Flammability rating according to UL 94	V0
CTI according to IEC 60112	< 400
Surface characteristics	untreated
Housing material	Polycarbonate

### Environmental and real-life conditions

#### Vibration test

Specification	IEC 60068-2-6:2007-12
Frequency	10 - 150 - 10 Hz
Sweep speed	1 octave/min
Amplitude	0.15 mm (10 Hz ... 58.1 Hz)

# BC 107,6 UT HBUS FS BK VPE80 - Mounting base housing



1006953

<https://www.phoenixcontact.com/us/products/1006953>

Acceleration	2g (58.1 Hz ... 150 Hz)
Test duration per axis	2.5 h
Test directions	X-, Y- and Z-axis

## Glow-wire test

Specification	IEC 60695-2-11:2014-02
Temperature	850 °C
Time of exposure	30 s

## Mechanical strength / tumbling barrel

Specification	IEC 60068-2-31:2008-05
Height of fall	50 cm
Frequency	50

## Shocks

Specification	IEC 60068-2-27:2008-02
Pulse shape	Half-sine
Acceleration	15g
Shock duration	11 ms
Number of shocks per direction	3
Test directions	X-, Y- and Z-axis (pos. and neg.)

## Degree of protection (IP code)

Specification	IEC 60529:1989-11 + AMD 1:1999-11 + AMD 2:2013-08
---------------	---

## Ambient conditions

Max. IP code to attain	IP20
Ambient temperature (operation)	-40 °C ... 105 °C (depending on power dissipation)
Ambient temperature (storage/transport)	-40 °C ... 70 °C
Ambient temperature (assembly)	-5 °C ... 100 °C
Relative humidity (storage/transport)	95 %

## PCB data

Number of PCB holders	9
Type of PCB mount	Latching
Thickness of the PCB	1.4 mm ... 1.8 mm

## Mounting

Mounting type	DIN rail mounting/wall mounting
Mounting position	Vertical (horizontal DIN rail)

## Packaging specifications

Type of packaging	packed in cardboard
Outer packaging type	Carton

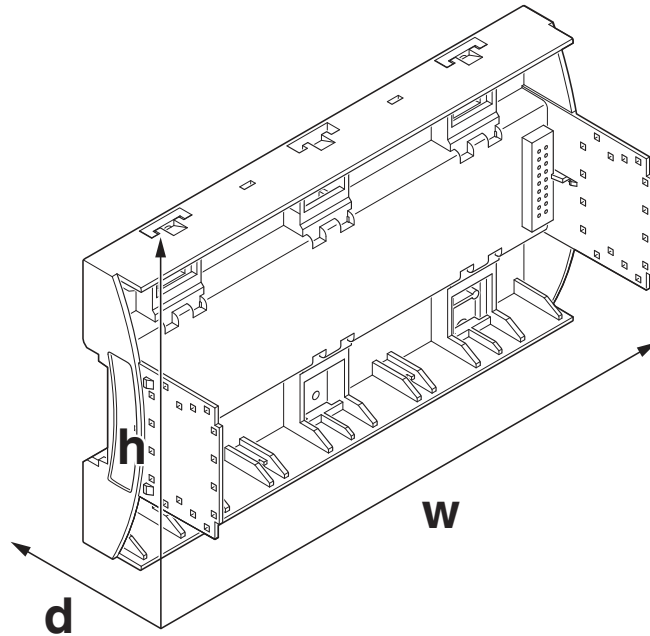
# BC 107,6 UT HBUS FS BK VPE80 - Mounting base housing

1006953

<https://www.phoenixcontact.com/us/products/1006953>

## Drawings

Dimensional drawing



Schematic figure for illustrating the item dimensions. The figure is not of the desired product. For further details, refer to the product drawings in the "Downloads" tab.


# BC 107,6 UT HBUS FS BK VPE80 - Mounting base housing



1006953

<https://www.phoenixcontact.com/us/products/1006953>

## Approvals

 To download certificates, visit the product detail page: <https://www.phoenixcontact.com/us/products/1006953>



**EAC**

Approval ID: B.01687



**UL Recognized**

Approval ID: FILE E 240868

# BC 107,6 UT HBUS FS BK VPE80 - Mounting base housing



1006953

<https://www.phoenixcontact.com/us/products/1006953>

## Classifications

### ECLASS

ECLASS-11.0	27182702
ECLASS-13.0	27190601

### ETIM

ETIM 8.0	EC001031
----------	----------

### UNSPSC

UNSPSC 21.0	31261500
-------------	----------

# BC 107,6 UT HBUS FS BK VPE80 - Mounting base housing



1006953

<https://www.phoenixcontact.com/us/products/1006953>

## Environmental product compliance

China RoHS	Environmentally friendly use period: unlimited = EFUP-e
	No hazardous substances above threshold values

# BC 107,6 UT HBUS FS BK VPE80 - Mounting base housing



1006953

<https://www.phoenixcontact.com/us/products/1006953>

## Mandatory accessories

### BC 107,6 OT U11 KMGY - Upper part of housing

2896076

<https://www.phoenixcontact.com/us/products/2896076>



DIN rail housing for use in distribution boards in accordance with DIN 43880, Upper housing part (U11) with vents, Installation depth connection technology: 11.1 mm, width: 107.6 mm, height: 89.7 mm, depth: 54.85 mm, color: light grey (7035)

---

### BC 107,6 OT U22 KMGY - Upper part of housing

2896089

<https://www.phoenixcontact.com/us/products/2896089>



DIN rail housing for use in distribution boards in accordance with DIN 43880, Upper housing part (U22) with vents, Installation depth connection technology: 22.35 mm, width: 107.6 mm, height: 89.7 mm, depth: 54.85 mm, color: light grey (7035)



# BC 107,6 UT HBUS FS BK VPE80 - Mounting base housing

1006953

<https://www.phoenixcontact.com/us/products/1006953>

## BC 107,6 OT U11 BK - Upper part of housing

2200721

<https://www.phoenixcontact.com/us/products/2200721>



DIN rail housing for use in distribution boards in accordance with DIN 43880, Upper housing part (U11) with vents, Installation depth connection technology: 11.1 mm, width: 107.6 mm, height: 89.7 mm, depth: 54.85 mm, color: black (9005)

---

## BC 107,6 OT 2000 KMGY - Upper part of housing

1050443

<https://www.phoenixcontact.com/us/products/1050443>



DIN rail housing for use in distribution boards in accordance with DIN 43880, modular upper housing part, width: 107.6 mm, height: 89.7 mm, depth: 54.85 mm, color: light grey (7035)

# BC 107,6 UT HBUS FS BK VPE80 - Mounting base housing

1006953

<https://www.phoenixcontact.com/us/products/1006953>

## BC 107,6 OT U11 RD3000 - Upper part of housing

2203809

<https://www.phoenixcontact.com/us/products/2203809>



DIN rail housing for use in distribution boards in accordance with DIN 43880, Upper housing part (U11) with vents, Installation depth connection technology: 11.1 mm, width: 107.6 mm, height: 89.7 mm, depth: 54.85 mm, color: red (3000)

---

## BC 107,6 OT 1112 KMGY - Upper part of housing

1086268

<https://www.phoenixcontact.com/us/products/1086268>



DIN rail housing for use in distribution boards in accordance with DIN 43880, modular upper housing part, width: 107.6 mm, height: 89.7 mm, depth: 54.85 mm, color: light grey (7035)

# BC 107,6 UT HBUS FS BK VPE80 - Mounting base housing

1006953

<https://www.phoenixcontact.com/us/products/1006953>

## BC 107,6 OT U11 BK VPE80 - Upper part of housing

1006943

<https://www.phoenixcontact.com/us/products/1006943>



DIN rail housing for use in distribution boards in accordance with DIN 43880, Upper housing part (U11) with vents, Installation depth connection technology: 11.1 mm, width: 107.6 mm, height: 89.7 mm, depth: 54.85 mm, color: black (9005)

---

## BC 107,6 OT 0C0C0C0C KMGY - Upper part of housing

1046365

<https://www.phoenixcontact.com/us/products/1046365>



DIN rail housing for use in distribution boards in accordance with DIN 43880, modular upper housing part, width: 107.6 mm, height: 89.7 mm, depth: 54.85 mm, color: light grey (7035)

# BC 107,6 UT HBUS FS BK VPE80 - Mounting base housing

1006953

<https://www.phoenixcontact.com/us/products/1006953>

## BC 107,6 OT 0C0C0C0C BK - Upper part of housing

1066143

<https://www.phoenixcontact.com/us/products/1066143>



DIN rail housing for use in distribution boards in accordance with DIN 43880, modular upper housing part, width: 107.6 mm, height: 89.7 mm, depth: 54.85 mm, color: black (9005)

---

## BC 107,6 OT 0101 KMGY MOQ80 - Upper part of housing

1065104

<https://www.phoenixcontact.com/us/products/1065104>



DIN rail housing for use in distribution boards in accordance with DIN 43880, modular upper housing part, width: 107.6 mm, height: 89.7 mm, depth: 54.85 mm, color: light grey (7035)

# BC 107,6 UT HBUS FS BK VPE80 - Mounting base housing

1006953

<https://www.phoenixcontact.com/us/products/1006953>

## BC 107,6 OT U22 BK - Upper part of housing

2203763

<https://www.phoenixcontact.com/us/products/2203763>



DIN rail housing for use in distribution boards in accordance with DIN 43880, Upper housing part (U22) with vents, Installation depth connection technology: 22.35 mm, width: 107.6 mm, height: 89.7 mm, depth: 54.85 mm, color: black (9005)

---

## BC 107,6 OT 1121 KMGY - Upper part of housing

2203260

<https://www.phoenixcontact.com/us/products/2203260>



DIN rail housing for use in distribution boards in accordance with DIN 43880, modular upper housing part, width: 107.6 mm, height: 89.7 mm, depth: 54.85 mm, color: light grey (7035)

# BC 107,6 UT HBUS FS BK VPE80 - Mounting base housing

1006953

<https://www.phoenixcontact.com/us/products/1006953>

## BC 107,6 OT 000C0C KMGY VPE80 - Upper part of housing

1025418

<https://www.phoenixcontact.com/us/products/1025418>



DIN rail housing for use in distribution boards in accordance with DIN 43880, modular upper housing part, width: 107.6 mm, height: 89.7 mm, depth: 54.85 mm, color: light grey (7035)

---

## BC 107,6 OT 2121 KMGY - Upper part of housing

1038850

<https://www.phoenixcontact.com/us/products/1038850>



DIN rail housing for use in distribution boards in accordance with DIN 43880, modular upper housing part, width: 107.6 mm, height: 89.7 mm, depth: 54.85 mm, color: light grey (7035)

# BC 107,6 UT HBUS FS BK VPE80 - Mounting base housing

1006953

<https://www.phoenixcontact.com/us/products/1006953>

## BC 107,6 OT 0121 KMGY - Upper part of housing

2202301

<https://www.phoenixcontact.com/us/products/2202301>



DIN rail housing for use in distribution boards in accordance with DIN 43880, modular upper housing part, width: 107.6 mm, height: 89.7 mm, depth: 54.85 mm, color: light grey (7035)

---

## BC 107,6 OT U22 GY 7045 - Upper part of housing

2202269

<https://www.phoenixcontact.com/us/products/2202269>



DIN rail housing for use in distribution boards in accordance with DIN 43880, Upper housing part (U22) with vents, Installation depth connection technology: 22.35 mm, width: 107.6 mm, height: 89.7 mm, depth: 54.85 mm, color: gray (7045)

# BC 107,6 UT HBUS FS BK VPE80 - Mounting base housing

1006953

<https://www.phoenixcontact.com/us/products/1006953>

## BC 107,6 OT 1210 BK - Upper part of housing

1163398

<https://www.phoenixcontact.com/us/products/1163398>



DIN rail housing for use in distribution boards in accordance with DIN 43880, modular upper housing part, width: 107.6 mm, height: 89.7 mm, depth: 54.85 mm, color: black (9005)

---

## BC 107,6 OT 1102 KMGY VPE80 - Upper part of housing

1080948

<https://www.phoenixcontact.com/us/products/1080948>



DIN rail housing for use in distribution boards in accordance with DIN 43880, modular upper housing part, width: 107.6 mm, height: 89.7 mm, depth: 54.85 mm, color: light grey (7035)



# BC 107,6 UT HBUS FS BK VPE80 - Mounting base housing



1006953

<https://www.phoenixcontact.com/us/products/1006953>

## BC 107,6 OT U11 YE - Upper part of housing

1163766

<https://www.phoenixcontact.com/us/products/1163766>



DIN rail housing for use in distribution boards in accordance with DIN 43880, Upper housing part (U11) with vents, Installation depth connection technology: 11.1 mm, width: 107.6 mm, height: 89.7 mm, depth: 54.85 mm, color: yellow (1018)

---

## Accessories

### FUSSRIEGEL 14,4 L30 SPERR OG - Base latch

2896998

<https://www.phoenixcontact.com/us/products/2896998>



DIN rail housing for use in distribution boards in accordance with DIN 43880, Base latch, width: 14.4 mm, height: 29.8 mm, depth: 5.9 mm, color: orange (2003)

# BC 107,6 UT HBUS FS BK VPE80 - Mounting base housing



1006953

<https://www.phoenixcontact.com/us/products/1006953>

## HBUS 107,6-16P-1S BK - DIN rail bus connectors

2896306

<https://www.phoenixcontact.com/us/products/2896306>



DIN rail connector, color: black, nominal current: 3 A (Total current of 25 A max.), rated voltage (III/2): 30 V, number of positions: 16, pitch: 2.54 mm, mounting: DIN rail mounting, locking: without

---

## PSTD 0,65X0,65/9-2,54 - Pin strip

2200700

<https://www.phoenixcontact.com/us/products/2200700>



Pin strip, color: black, contact connection type: Pin, number of potentials: 18, number of rows: 2, number of positions: 18, number of connections: 18, product range: PSTD 0,65X0,65/...-V, pitch: 2.54 mm, mounting: THR soldering, pin layout: Linear pinning, solder pin [P]: 2.5 mm, locking: without, type of packaging: packed in cardboard

---

Phoenix Contact 2023 © - all rights reserved  
<https://www.phoenixcontact.com>

Phoenix Contact USA  
586 Fulling Mill Road  
Middletown, PA 17057, United States  
(+717) 944-1300  
[info@phoenixcon.com](mailto:info@phoenixcon.com)