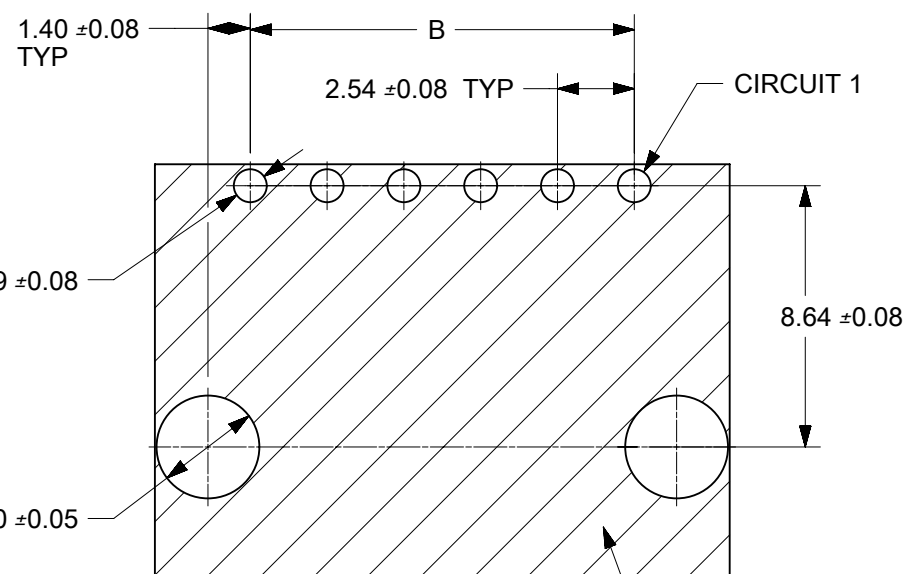


SECTION A-A

NOTES:

- HOUSING MATERIAL: POLYESTER, UL94V-0, BLACK
TERMINAL MATERIAL: PHOS BRONZE
- FINISH:
124: OVERALL BRIGHT TIN: 3.75 MICROMETERS MIN OVER NICKEL
223: OVERALL MATTE TIN: 3.81 MICROMETERS MIN OVER NICKEL
249: SELECT GOLD: 0.38 MICROMETERS MIN. IN CONTACT AREA WITH
SELECT MATTE TIN: 1.90 MICROMETERS MIN IN PC TAIL AREA
BOTH OVER NICKEL
250: SELECT GOLD: 0.76 MICROMETERS MIN. IN CONTACT AREA WITH
SELECT MATTE TIN: 1.90 MICROMETERS MIN IN PC TAIL AREA
BOTH OVER NICKEL
- PRODUCT SPECIFICATION: PS-70541
- PACKAGING SPECIFICATION: SEE CHART
- COSMETIC SPECIFICATION: PS-45499-002 CLASS B
- SOLDERABILITY PER SMES-152 LEAD FREE ALLOY
- THIS HEADER MATES WITH 70400 AND 70430 OPTION G SL CONNECTORS

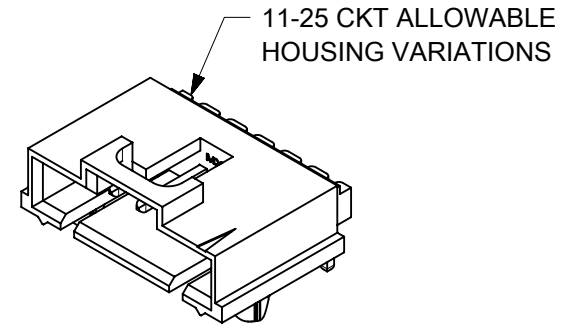
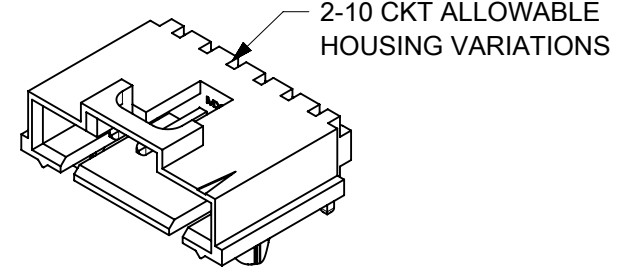
CKTS	DIM A	DIM B
2	7.37	2.54
3	10.17	5.08
4	12.71	7.62
5	15.25	10.16
6	17.79	12.70
7	20.33	15.24
8	22.87	17.78
9	25.41	20.32
10	27.95	22.86
11	30.49	25.40
12	33.03	27.94
13	35.57	30.48
14	38.11	33.02
15	40.65	35.56
16	43.19	38.10
17	45.73	40.64
18	48.27	43.18
19	50.81	45.72
20	53.35	48.26
21	55.89	50.80
22	58.43	53.34
23	60.97	55.88
24	63.51	58.42
25	66.05	60.96



PCB LAYOUT: COMPONENT SIDE
RECOMMENDED PCB THICKNESS: 1.57

THIS DRAWING CONTAINS INFORMATION THAT IS PROPRIETARY TO MOLEX ELECTRONIC TECHNOLOGIES, LLC AND SHOULD NOT BE USED WITHOUT WRITTEN PERMISSION											
SYMBOLS		DIMENSION UNITS	SCALE	CURRENT REV DESC:							
▽ = 0		mm	4:1	molex SL PCT HEADER ASSY RTAN PEGS WAS SDA-70555-**** PRODUCT CUSTOMER DRAWING							
▽ = 0		GENERAL TOLERANCES (UNLESS SPECIFIED)									
▽ = 0		ANGULAR TOL ± °									
▽ = 0		4 PLACES ±									
▽ = 0		3 PLACES ±									
▽ = 0		2 PLACES ± 0.15		EC NO: 603253 DRWN: KSAMIEC 2018/02/14 CHK'D: DSTEIER 2018/08/24 APPR: FSMITH 2018/09/04							
▽ = 0		1 PLACE ± 0.25		INITIAL REVISION: DRWN: KSAMIEC 2018/02/14 APPR: FSMITH 2018/09/04							
▽ = 0		0 PLACES ± 0.0		DOCUMENT NUMBER		DOC TYPE		DOC PART		REVISION	
▽ = 0		DRAFT WHERE APPLICABLE MUST REMAIN WITHIN DIMENSIONS		705550000-SD		PSD		000		A	
▽ = 0		THIRD ANGLE PROJECTION		DRAWING		SERIES		MATERIAL NUMBER		CUSTOMER	
▽ = 0		B-SIZE		70555						SHEET NUMBER	
▽ = 0										1 OF 3	

PLATING CODE	124	249	250	223
PLATING	BRIGHT TIN	0.38 SELECT GOLD	0.76 SELECT GOLD	MATTE TIN
PACKAGING	PK-70873-0015	PK-70873-0015	PK-70873-0015	PK-70873-0015
CKT	MATERIAL NO	MATERIAL NO	MATERIAL NO	MATERIAL NO
2	70555-0001	70555-0036	70555-0071	70555-4001
3	70555-0002	70555-0037	70555-0072	70555-4002
4	70555-0003	70555-0038	70555-0073	70555-4003
5	70555-0004	70555-0039	70555-0074	70555-4004
6	70555-0005	70555-0040	70555-0075	70555-4005
7	70555-0006	70555-0041	70555-0076	70555-4006
8	70555-0007	70555-0042	70555-0077	70555-4007
9	70555-0008	70555-0043	70555-0078	70555-4008
10	70555-0009	70555-0044	70555-0079	70555-4009
11	70555-0010	70555-0045	70555-0080	70555-4010
12	70555-0011	70555-0046	70555-0081	70555-4011
13	70555-0012	70555-0047	70555-0082	70555-4012
14	70555-0013	70555-0048	70555-0083	70555-4013
15	70555-0014	70555-0049	70555-0084	70555-4014
16	70555-0015	70555-0050	70555-0085	70555-4015
17	70555-0016	70555-0051	70555-0086	70555-4016
18	70555-0017	70555-0052	70555-0087	70555-4017
19	70555-0018	70555-0053	70555-0088	70555-4018
20	70555-0019	70555-0054	70555-0089	70555-4019
21	70555-0020	70555-0055	70555-0090	70555-4020
22	70555-0021	70555-0056	70555-0091	70555-4021
23	70555-0022	70555-0057	70555-0092	70555-4022
24	70555-0023	70555-0058	70555-0093	70555-4023
25	70555-0024	70555-0059	70555-0094	70555-4024



SYMBOLS	THIS DRAWING CONTAINS INFORMATION THAT IS PROPRIETARY TO MOLEX ELECTRONIC TECHNOLOGIES, LLC AND SHOULD NOT BE USED WITHOUT WRITTEN PERMISSION		CURRENT REV DESC:				
	DIMENSION UNITS	SCALE					
▽ = 0	mm	2:1	EC NO: 603253		PRODUCT CUSTOMER DRAWING		
▽ = 0	GENERAL TOLERANCES (UNLESS SPECIFIED)		DRWN: KSAMIEC 2018/02/14				
▽ = 0	ANGULAR TOL ± °		CHK'D: DSTEIER 2018/08/24		DOCUMENT NUMBER: 705550000-SD DOC TYPE: PSD DOC PART: 000 REVISION: A		
▽ = 0	4 PLACES ±		APPR: FSMITH 2018/09/04				
▽ = 0	3 PLACES ±		INITIAL REVISION:		MATERIAL NUMBER: 70555 CUSTOMER: SHEET NUMBER: 2 OF 3		
▽ = 0	2 PLACES ± 0.15		DRWN: KSAMIEC 2018/02/14				
▽ = 0	1 PLACE ± 0.25		APPR: FSMITH 2018/09/04		THIRD ANGLE PROJECTION		
▽ = 0	0 PLACES ± 0.0		DRAFT WHERE APPLICABLE MUST REMAIN WITHIN DIMENSIONS				
▽ = 0	DRAFT WHERE APPLICABLE MUST REMAIN WITHIN DIMENSIONS		DRAWING: B-SIZE		SERIES: 70555		
▽ = 0	DRAFT WHERE APPLICABLE MUST REMAIN WITHIN DIMENSIONS		THIRD ANGLE PROJECTION				

9

8

7

6

5

4

3

2

1

MATERIAL NO	HOUSING SIZE	PLATING CODE	PLATING	PACKAGING	VOIDED CKTS
70555-5002	3	124	BRIGHT TIN	70873-0015	2

E

E

D

D

C

C

B

B

A

A

SYMBOLS	THIS DRAWING CONTAINS INFORMATION THAT IS PROPRIETARY TO MOLEX ELECTRONIC TECHNOLOGIES, LLC AND SHOULD NOT BE USED WITHOUT WRITTEN PERMISSION												
	DIMENSION UNITS		SCALE		CURRENT REV DESC:						molex		
	mm		1:1		EC NO: 603253								
	= 0		GENERAL TOLERANCES (UNLESS SPECIFIED)								SL PCT HEADER ASSY RTAN PEGS WAS SDA-70555-****		
	= 0		ANGULAR TOL ± °								PRODUCT CUSTOMER DRAWING		
	= 0		4 PLACES ±		EC NO: 603253						DOCUMENT NUMBER		
	= 0		3 PLACES ±		DRWN: KSAMIEC 2018/02/14						705550000-SD		
	= 0		2 PLACES ± 0.15		CHK'D: DSTEIER 2018/08/24						DOC TYPE DOC PART REVISION		
	= 0		1 PLACE ± 0.25		APPR: FSMITH 2018/09/04						PSD 000 A		
	= 0		0 PLACES ± 0.0		INITIAL REVISION:						MATERIAL NUMBER		
= 0		DRAFT WHERE APPLICABLE MUST REMAIN WITHIN DIMENSIONS		THIRD ANGLE PROJECTION		DRAWING		SERIES		CUSTOMER		SHEET NUMBER	
= 0						B-SIZE		70555				3 OF 3	

DOCUMENT STATUS	P1	RELEASE DATE	2018/09/04	20:30:34
-----------------	----	--------------	------------	----------

9

8

7

6

5

4

3

2

1

FORMAT: master-lb-prod-8
REVISION: 14
DATE: 2018/01/18