

■ **Features**

- Single output from 40-72W
- 100-240Vac Universal Input
- Efficiency Level: VI
- Over Current Protection
- Short Circuit Protection
- LPS Rated Product
- Class I construction
- Interchangeable AC blades: US, UK, EU, AU, CN
- MTBF: 50,000 hours
- Case option: Standard type
- Dimension: 122.73x52.14x42.6mm



■ **Application**

- Consumer electronics, Telecom and office equipment
- Industrial equipment

*Product images are for illustrative purposes only and may vary from actual design.

Custom Designs Available!

■ **Model List**

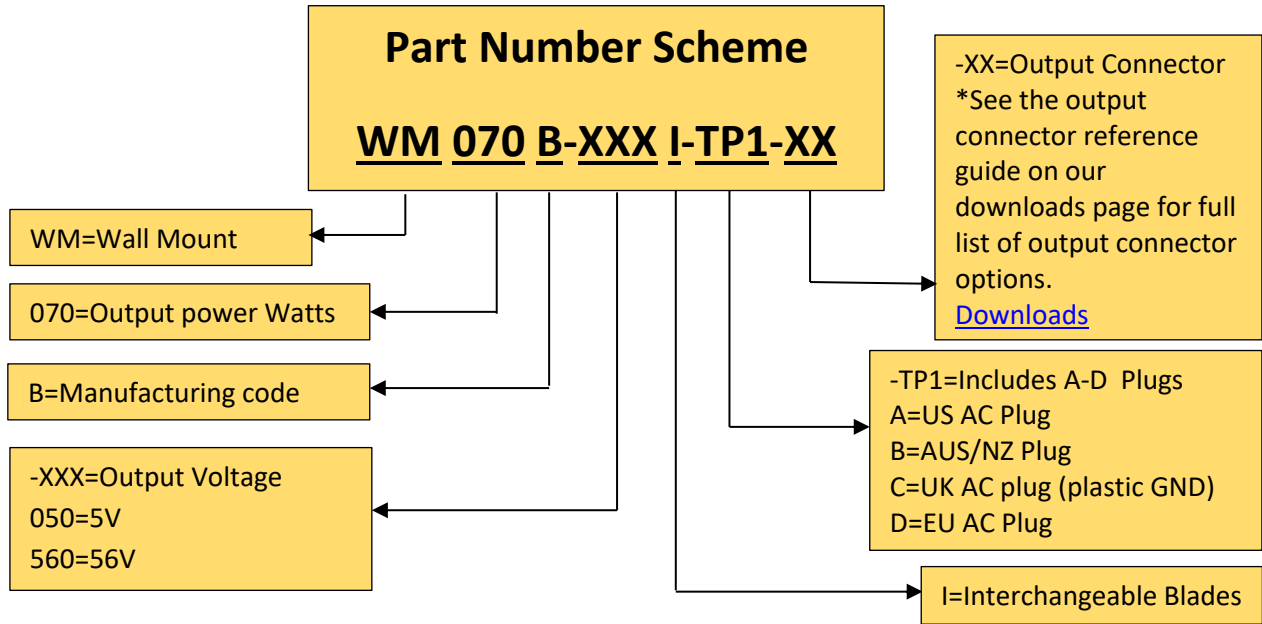
Model	Output Voltage	Output Current	Power	Certifications
WM070B-050I-TP1-XX	5V	8A	40W	UL/cUL
WM070B-090I-TP1-XX	9V	7.2A	65W	UL/cUL
WM070B-120I-TP1-XX	12V	6A	72W	UL/cUL
WM070B-150I-TP1-XX	15V	4.8A	72W	UL/cUL
WM070B-190I-TP1-XX	19V	3.79A	72W	UL/cUL
WM070B-240I-TP1-XX	24V	3A	72W	UL/cUL
WM070B-280I-TP1-XX	28V	2.57A	72W	UL/cUL
WM070B-360I-TP1-XX	36V	2A	72W	UL/cUL
WM070B-480I-TP1-XX	48V	1.5A	72W	UL/cUL
WM070B-560I-TP1-XX	56V	1.29A	72W	UL/cUL

■ **Interchangeable Blade Types**



Technical Sales / Customer Service: +1-818-338-7788 • Email: sales@autec.com
 31328 Via Colinas Suite 102 • Westlake Village, CA 91362 USA • www.autec.com

April 19, 2019



***Some Safety Agency Approvals may differ from what is shown. Contact Autec Sales!**

***Product images are for illustrative purposes only and may vary from actual design.**

***Specifications are subject to change without notice. Autec is not responsible for issues arising from errors or omissions.**