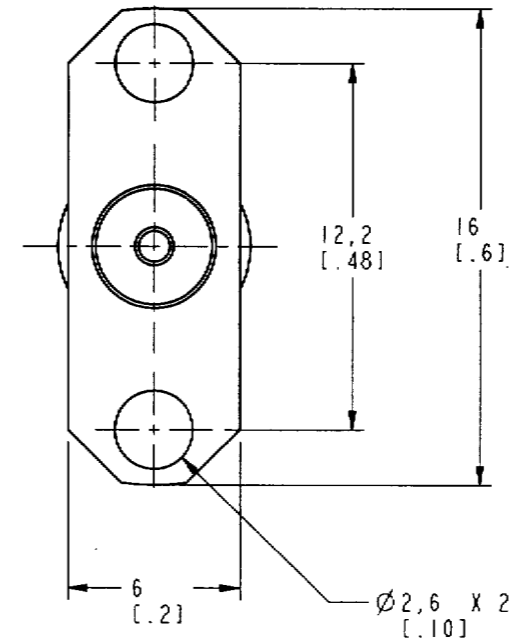
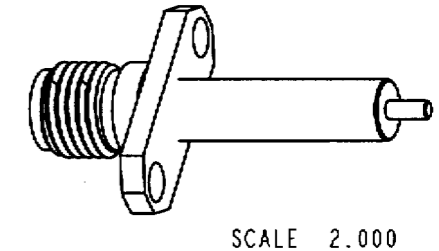
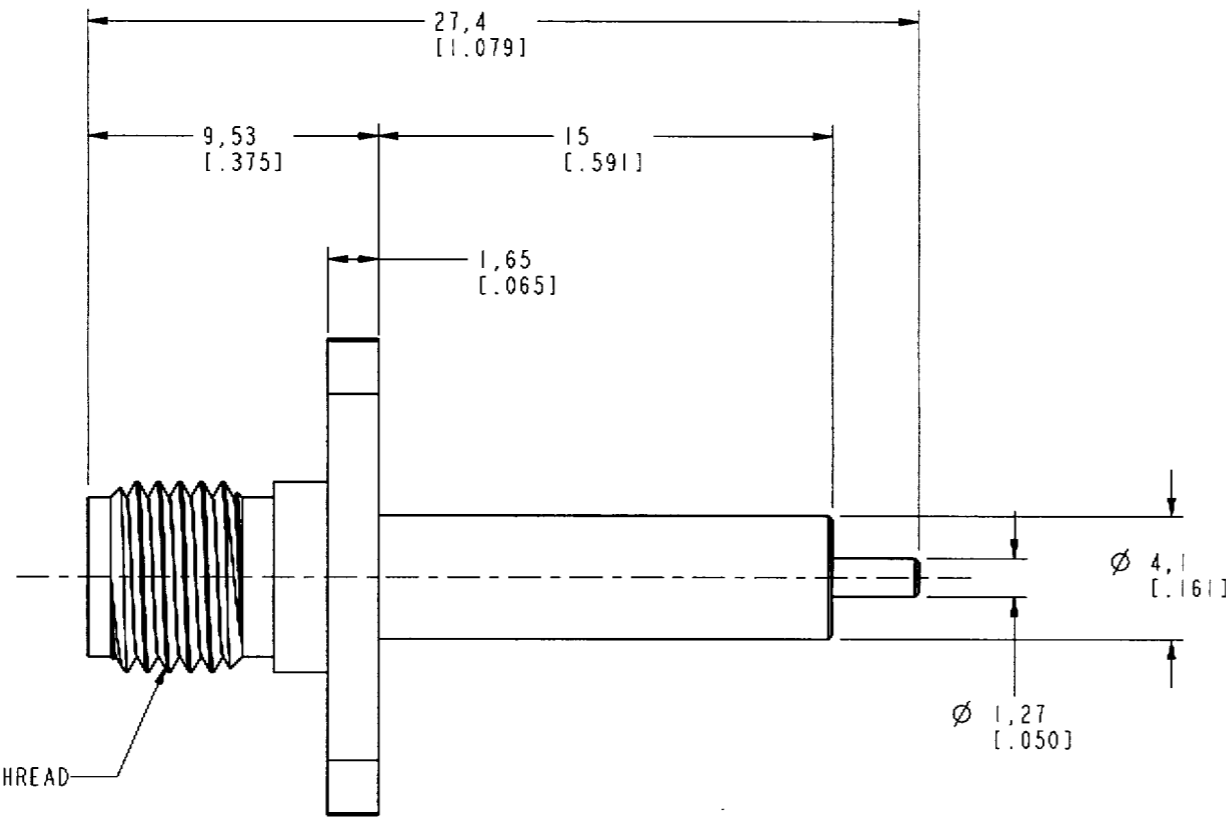


NOTES:

- 1. MATERIALS OF CONSTRUCTION:  
 BODY, & RING = BRASS, NICKEL PLATED  
 CONTACT PIN = BeCu, GOLD PLATED  
 INSULATORS (2) = TEFLON, MIL-P-19468

|                   |     |                 |         |       |      |
|-------------------|-----|-----------------|---------|-------|------|
| 901-9891-RFX      |     | REVISIONS       |         |       |      |
| DRAWING NO.       | REV | DESCRIPTION     | DATE    | ECO   | APPR |
| THIRD ANGLE PROJ. | A   | RELEASE TO MFG. | 1-25-01 | 43650 | CPM  |



CUSTOMER OUTLINE DRAWING  
 FOR REFERENCE ONLY

|  |   |  |   |                  |   |               |
|--|---|--|---|------------------|---|---------------|
| UNLESS OTHERWISE SPECIFIED, DIMENSIONS ARE IN INCHES AND TOLERANCES ARE:<br>0.5 - 6mm ±0.2mm<br>6 - 30mm ±0.4mm<br>30 - 120mm ±0.6mm | MATERIAL  | DRAWN<br>C. McGRATH<br>DATE<br>1/12/01       | TITLE<br>SMA PANEL RECEPTACLE JACK                |                  | Amphenol<br>Amphenol Corporation<br>Communication and Network<br>Products Division<br>Danbury, CT U.S.A. 06810<br>SCALE: 4.0:1 SHEET 2 OF 2 |               |
|  | REFERENCE<br>EAR 967698-0<br>GEN# 901-9887-RFX_ASSY | ENGINEER<br>O. BARTHELMES<br>DATE<br>1/12/01 | APPROVED<br><i>[Signature]</i><br>DATE<br>1/25/01 | CODE ID<br>74868 |   | DWG SIZE<br>B |

NOTICE - These drawings, specifications, or other data (1) are, and remain the property of Amphenol Corp. (2) must be returned upon request; and (3) are confidential and not to be disclosed to any person other than those to whom they are given by Amphenol Corp. The furnishing of these drawings, specifications, or other data by Amphenol Corp., or to any other person to anyone for any purpose is not to be regarded by implication or otherwise in any manner licensing, granting rights or permitting such holder or any other person to manufacture, use or sell any product, process or design, patented or otherwise, that may in any way be related to or disclosed by said drawings, specifications, or other data.