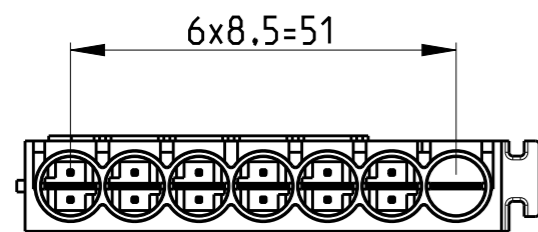
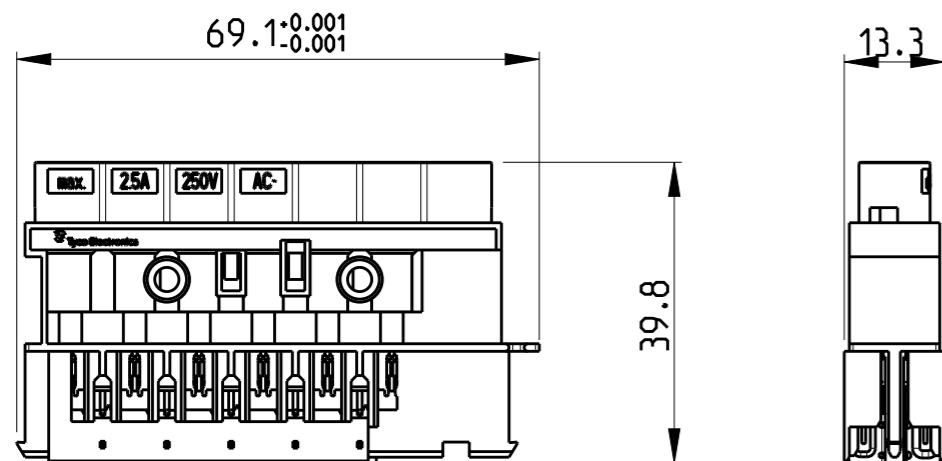


THIS DRAWING IS UNPUBLISHED. RELEASED FOR PUBLICATION 2006
 © COPYRIGHT 2006 BY - ALL RIGHTS RESERVED.

REVISIONS					
P	LTR	DESCRIPTION	DATE	DWN	APVD
C3		ECR-15-001522	05FEB2015	RS	JL
C4		ECR-16-002347	23FEB2016	RS	JL
C5		ECR-16-004670	04APR2016	RS	JL
D		ECR-17-003481	10MAY2017	SK	PO

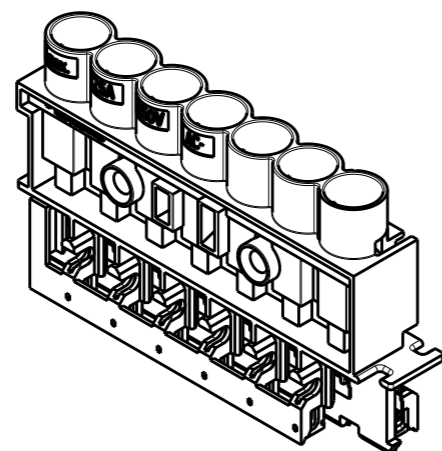
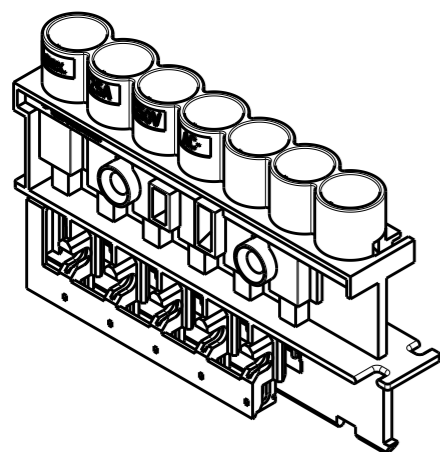


NOTES:

- PARTS PRELOADED WITH CONTACTS
 - MATERIAL HOUSING: PA6/WEIGHT ~11 g
MATERIAL CONTACTS: CuNiSi/WEIGHT ~2.8 g
 - FOR 7 POS. VERSION ADD CODING RING PN 1740316-1
- △ OBSOLETE.

6 POS VERSION AS SHOWN

7-POS VERSION FOR SWITCH APPLICATION AS SHOWN ABOVE



1:1

△4	HV-2 (1X)	LV-2 (6x)	1-1740317-1	B	YELLOW	DISTRIBUTOR 7 POS. 7A/125V DC
		LV-2 (6x)	0-1740317-9	B	YELLOW	DISTRIBUTOR 6 POS. 7A/125V DC
△4	HV-2 (1X)	LV-1 (6x)	0-1740317-8	B	LIGHT GREY	DISTRIBUTOR 7 POS. 7A/125V AC
△4		LV-1 (6x)	0-1740317-7	B	LIGHT GREY	DISTRIBUTOR 6 POS. 7A/125V AC
△4	HV-2 (1X)	HV-3 (6x)	0-1740317-6	B	BLUE	DISTRIBUTOR 7 POS. 6A/125V AC
△4		HV-3 (6x)	0-1740317-5	B	BLUE	DISTRIBUTOR 6 POS. 6A/125V AC
△4	HV-2 (1X)	HV-1 (6x)	0-1740317-4	C	BLACK (ANTHRACITE)	DISTRIBUTOR 7 POS. 2.5A/250V AC
		HV-1 (6x)	0-1740317-3	C	BLACK (ANTHRACITE)	DISTRIBUTOR 6 POS. 2.5A/250V AC
	HV-2 (1X)	HV-1 (6x)	0-1740317-2	C	WHITE	DISTRIBUTOR 7 POS. 2.5A/250V AC
		HV-1 (6x)	0-1740317-1	C	WHITE	DISTRIBUTOR 6 POS. 2.5A/250V AC
	SWITCH	WAY	ASS'Y PN	Rev.	COLOR	REMARKS
	CODING					

THIS DRAWING IS A CONTROLLED DOCUMENT.		DWN SKA 13APR2006				
		CHK WH 13APR2006				
		APVD TG 13APR2006	NAME			
		PRODUCT SPEC 108-94019	7.5mm MiniHVL CONNECTOR SYSTEM CONTACT AND HOUSING ASSEMBLY 6 AND 7 POSITION			
		APPLICATION SPEC 114-20139	SIZE	CAGE CODE	DRAWING NO	RESTRICTED TO
		WEIGHT ~13.8 g	A3	00779	C-1740317	-
CUSTOMER DRAWING		SCALE 1:1	SHEET 1 OF 1	REV D		

DIMENSIONS:	TOLERANCES UNLESS OTHERWISE SPECIFIED:
mm	
	0 PLC ±0.2
	1 PLC ±0.2
	2 PLC ±0.2
	3 PLC ±
	4 PLC ±
	ANGLES ±1°
MATERIAL	FINISH
-	-
-	-