


SACC-E-M 8FS-4CON-M8/0,5

Order No.: 1500363

<http://eshop.phoenixcontact.de/phoenix/treeViewClick.do?UID=1500363>

Sensor/actuator flush-type socket, 4-pos., M8, front/screw mounting,
with M8 thread, with 0.5 m TPE litz wire, 4 x 0.25 mm²

Commercial data

GTIN (EAN)	 4 017918 589073
sales group	D125
Pack	1 pcs.
Customs tariff	85366990
Catalog page information	Page 22 (PC-2009)

Product notes

WEEE/RoHS-compliant since:
07/16/2010



<http://www.download.phoenixcontact.com>
Please note that the data given here has been taken from the online catalog. For comprehensive information and data, please refer to the user documentation. The General Terms and Conditions of Use apply to Internet downloads.

Technical data

General data

Rated current at 40°C	4 A
Rated voltage	30 V
Number of positions	4
Volume resistance	≤ 3 mΩ
Insulation resistance	≥ 100 MΩ

Length of cable	0.5 m
Ambient temperature (operation)	-25 °C ... 85 °C (Male connector / female connector)

General characteristics

Standards/regulations	M8 connector IEC 61076-2-104
Surge voltage category	II
Pollution degree	3
Degree of protection	IP67
Contact material	CuSn
Contact surface material	Au
Contact carrier material	PUR
Material, knurls	Nickel-plated brass
Sealing material	Viton
Mounting type	Front mounting M8 x 0.5
Type of connection	Individual wires
Status display	No

Conductor data

Cable type	TPE litz wire
Conductor cross section	0.25 mm ²
AWG signal line	24
Conductor structure signal line	14x 0.15 mm
Core diameter including insulation	1.15 mm ±0.07 mm
Thickness, insulation	0.21 mm
Wire colors	Black, brown, blue, white
Insulation resistance	≥ 20 MΩ*km
Conductor resistance	≥ 80 Ω/km
Nominal voltage, conductor	300 V
Test voltage, conductor	2000 V AC
Material conductor insulation	TPE
Conductor material	Tin-plated Cu litz wires
Ambient temperature (operation)	-25 °C ... 90 °C (cable, fixed installation)

Certificates / Approvals



Certification

CUL, GOST, UL

Accessories

Item	Designation	Description
------	-------------	-------------

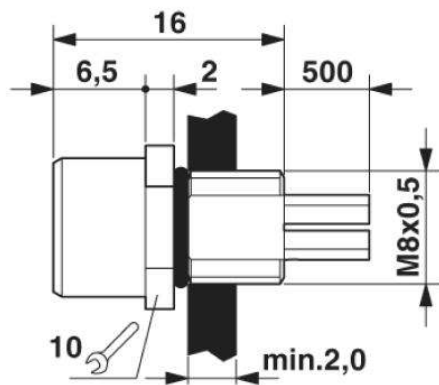
Assembly

1504071	SACC-E-MU-M 8	Flat nut with M8 thread
---------	---------------	-------------------------

Diagrams/Drawings

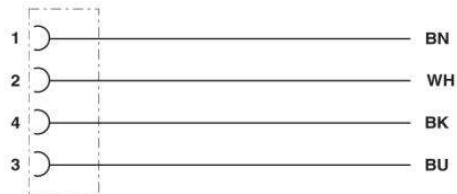
Dimensioned drawing

M8 flush-type socket



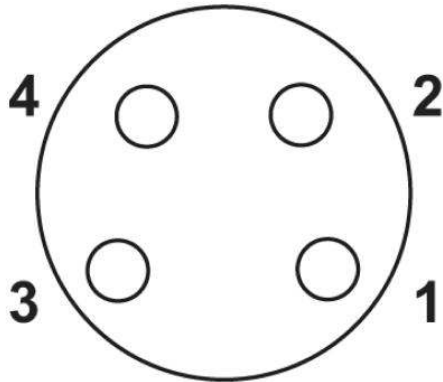
Circuit diagram

Contact assignment of M8 plugs/sockets



Schematic diagram

Pin assignment M8 socket, 4-pos., view female side



Address

PHOENIX CONTACT Inc., USA
586 Fulling Mill Road
Middletown, PA 17057, USA
Phone (800) 888-7388
Fax (717) 944-1625
<http://www.phoenixcon.com>



© 2010 Phoenix Contact
Technical modifications reserved;