

87159-5 ✓ ACTIVE

AMPMODU | AMPMODU MOD 1

TE Internal #: 87159-5

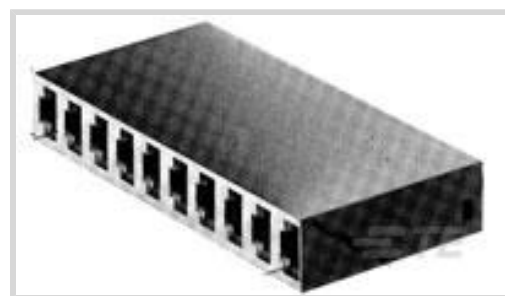
Housing, Receptacle, 4 Position, .156 in [3.96 mm] Centerline, 1

Row, Black, AMPMODU MOD 1

[View on TE.com >](#)



Connectors > PCB Connectors > Wire-to-Board Connectors > Wire-to-Board Connector Assemblies & Housings



Connector Product Type: **Housing**

Connector & Housing Type: **Receptacle**

Number of Positions: **4**

Centerline (Pitch): **3.96 mm [.156 in]**

Number of Rows: **1**

Features

Product Type Features

Connector Product Type	Housing
Connector & Housing Type	Receptacle

Configuration Features

Number of Positions	4
Number of Rows	1

Body Features

Connector Profile	Low
Primary Product Color	Black

Contact Features

Contact Type	Socket
--------------	--------

Housing Features

Housing Material	Thermoplastic
Centerline (Pitch)	3.96 mm[.156 in]

Industry Standards

UL Flammability Rating	UL 94V-0
------------------------	----------

Product Compliance

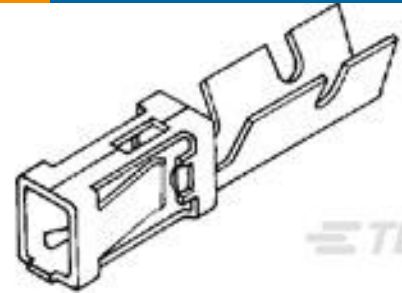
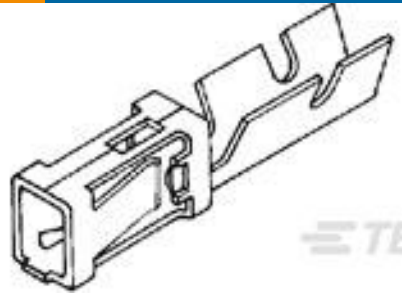
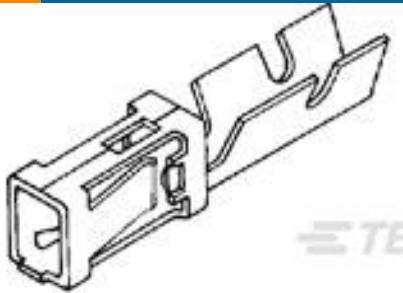
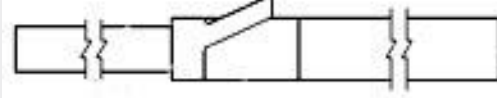

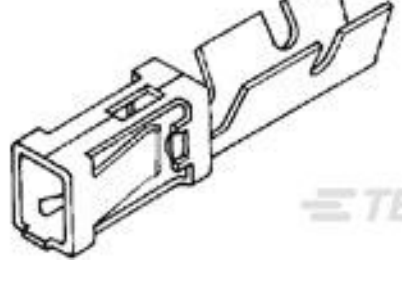
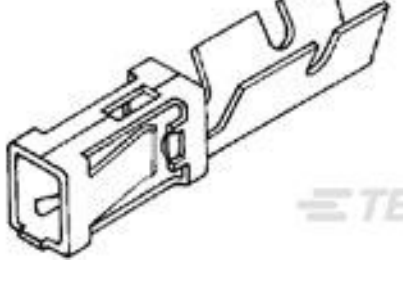
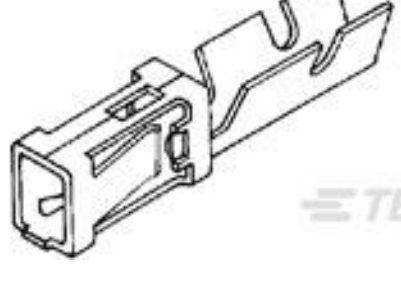
[For compliance documentation, visit the product page on TE.com>](#)

EU RoHS Directive 2011/65/EU	Compliant
EU ELV Directive 2000/53/EC	Compliant
China RoHS 2 Directive MIIT Order No 32, 2016	No Restricted Materials Above Threshold
EU REACH Regulation (EC) No. 1907/2006	Current ECHA Candidate List: JUNE 2023 (235) Candidate List Declared Against: JUNE 2023 (235) Does not contain REACH SVHC
Halogen Content	Not Low Halogen - contains Br or Cl > 900 ppm.
Solder Process Capability	Not applicable for solder process capability

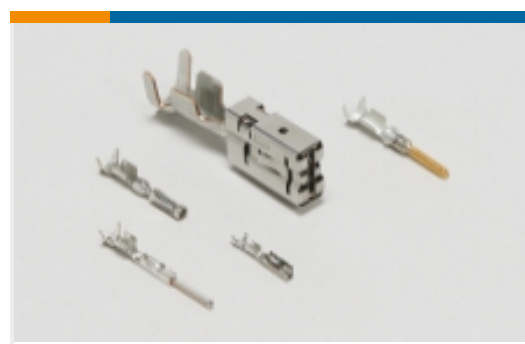
Product Compliance Disclaimer

This information is provided based on reasonable inquiry of our suppliers and represents our current actual knowledge based on the information they provided. This information is subject to change. The part numbers that TE has identified as EU RoHS compliant have a maximum concentration of 0.1% by weight in homogenous materials for lead, hexavalent chromium, mercury, PBB, PBDE, DBP, BBP, DEHP, DIBP, and 0.01% for cadmium, or qualify for an exemption to these limits as defined in the Annexes of Directive 2011/65/EU (RoHS2). Finished electrical and electronic equipment products will be CE marked as required by Directive 2011/65/EU. Components may not be CE marked. Additionally, the part numbers that TE has identified as EU ELV compliant have a maximum concentration of 0.1% by weight in homogenous materials for lead, hexavalent chromium, and mercury, and 0.01% for cadmium, or qualify for an exemption to these limits as defined in the Annexes of Directive 2000/53/EC (ELV). Regarding the REACH Regulation, the information TE provides on SVHC in articles for this part number is based on the latest European Chemicals Agency (ECHA) 'Guidance on requirements for substances in articles' posted at this URL: <https://echa.europa.eu/guidance-documents/guidance-on-reach>

Compatible Parts

 <p>TE Part # 102099-5 MOD I RECP STMPD</p>	 <p>TE Part # 181299-2 MOD 1 CONTACT REC</p>	 <p>TE Part # 181299-1 MOD I CRIMP CONTACT</p>	 <p>TE Part # 87116-2 MOD I KEYING PLUG</p>
 <p>TE Part # 102099-2 MOD I RECP PLTD 30 SEL</p>	 <p>TE Part # 102103-3 MOD I RECP LP</p>	 <p>TE Part # 102103-2 MOD I RECP LP</p>	 <p>TE Part # 102106-2 MOD I RECP LP</p>

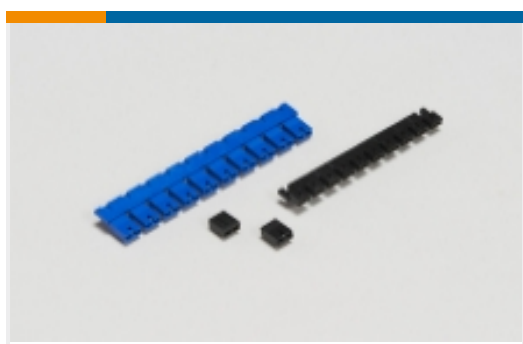
Also in the Series | **AMPMODU MOD 1**



Automotive Terminals(6)



Board-to-Board Connector Contacts (107)



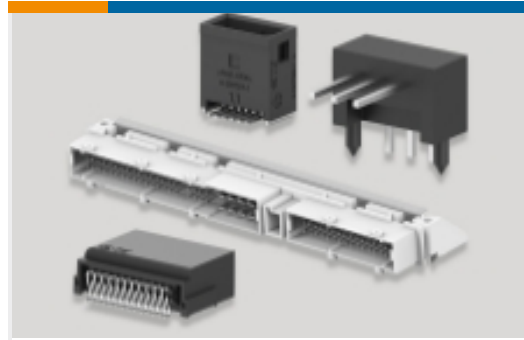
Board-to-Board Jumpers & Shunts(5)



Insertion & Extraction Tools(1)



PCB Connector Keying(2)



PCB Headers & Receptacles(358)



Wire-to-Board Connector Assemblies & Housings(44)



Wire-to-Board Connector Contacts(2)

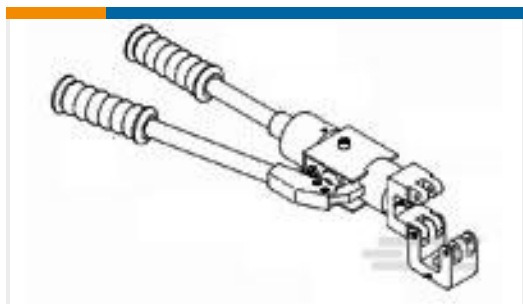
Customers Also Bought



TE Part #321045
TERMINAL,PIDG R 16-14 1/4



TE Part #TAD14741111-002
M12D4-MS-MS-PVC TYPE B-1.0M



TE Part #59974-1
HYP8 8-2AWG MANUAL TOOL-No Dies



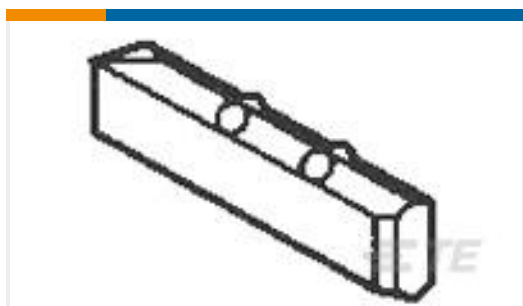
TE Part #45499
DAHT AMP SOLISSTRAND 16-14 ASSY



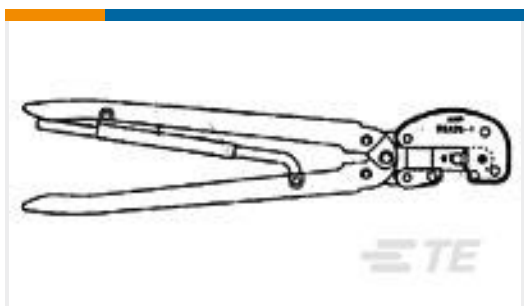
TE Part #324047
TERM, TERMINYL, RT, 6 AWG, 1/4



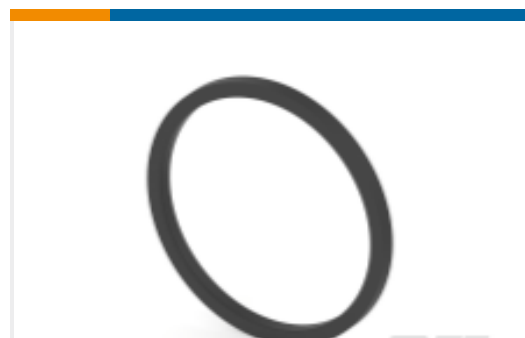
TE Part #1241981-5
STANDARD TIMER HOUSING



TE Part #582501-1
KEYING PLUG,AMP LEAF



TE Part #69959
HHHT AMPLI-BOND PG 8 ASSY



TE Part #2267473-2
SIZE 17 PERIPHERAL SEAL, CPC

Documents



Product Drawings

[04 MODI CRMP S-I HSG SR .156CL](#)

English

Datasheets & Catalog Pages

[AMPMODU_INTERCONNECTION_SYSTEM_SECTION_6_7AND8](#)

English

Product Specifications

[Application Specification](#)

English

[AMPMODU Mod I Receptacle Crimp Contact](#)

English

Product Environmental Compliance

[Product Compliance Document](#)

English

[Product Compliance Document](#)

English