

6

5

4

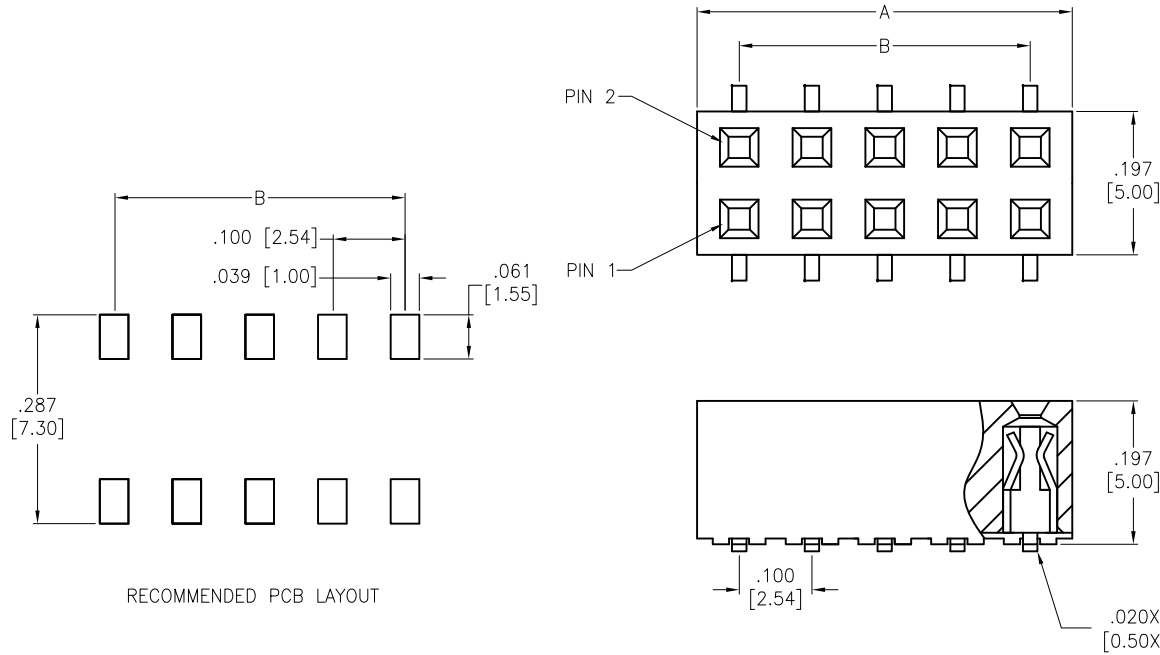
3

2

1

APPROVED: _____
DATE: _____ TITLE: _____

Rev	AWO #	Description	Date	Appr
-		RELEASED	7/9/08	
A		UPDATE DRAWING	4/22/20	AY/RC



RECOMMENDED PCB LAYOUT

SPECIFICATIONS:

Material:
 Insulator: Hi-temp thermoplastic, rated UL 94V-0
 Insulator color: Black
 Contacts: Phosphor Bronze
 Plating:
 Gold flash over Nickel underplate overall
 Electrical:
 Current rating: 3 Amp.
 Contact resistance: 20 mohms max.
 Insulation resistance: 5,000 Mohms min.
 Dielectric withstanding voltage: 500 VAC for 1 minute
 Temperature Rating:
 Operating temperature: -40°C to +105°C
 Environmental:
 Lead free, RoHS compliant

Positions: 04 thru 80

A = .100 [2.54] x No. of Positions per Row

B = .100 [2.54] x No. of Spaces

UNLESS OTHERWISE SPECIFIED
 ALL DIMENSIONS ARE INCHES [MM]
 TOLERANCES: EXCEPT AS NOTED

INCHES		HOLES	
.X	± .10	∅X	± .10
.XX	± .020	∅XX	± .015
.XXX	± .015	∅XXX	± .010

ADAM TECH INTERCONNECTS 909 Rahway Avenue,
 Union, NJ 07083
 Phone: 908-687-5000
 Fax: 908-687-5710

TITLE
.100 x .100 DUAL ROW RECEPTACLE STRIP
DUAL ENTRY, .197 [5.00] HEIGHT, SMT

APPROVALS		DATE
DRAWN	SS	7/9/08
CHECKED		
APPROVED		

SIZE	PART NO.	REV.
X	RS2BE-XX-G-SMT	A
REF: S00059T	SCALE: NTS	SHEET 1 OF 1

6

5

4

3

2

1