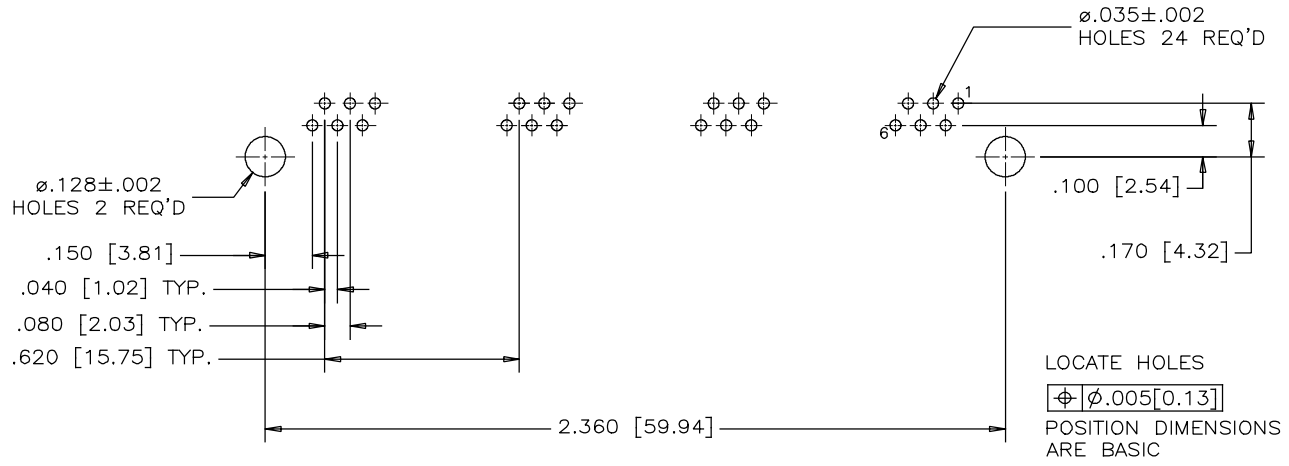
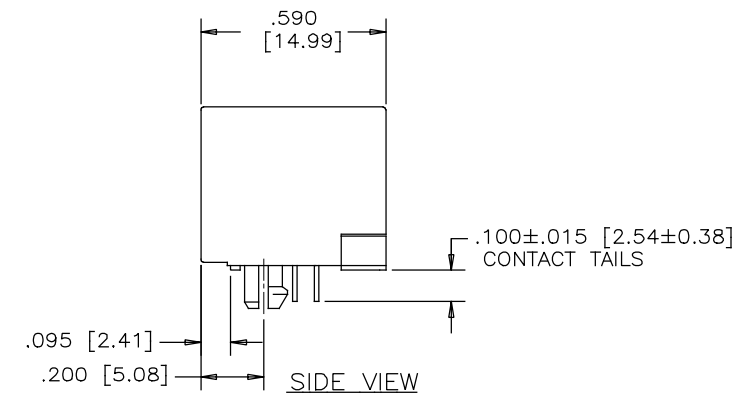
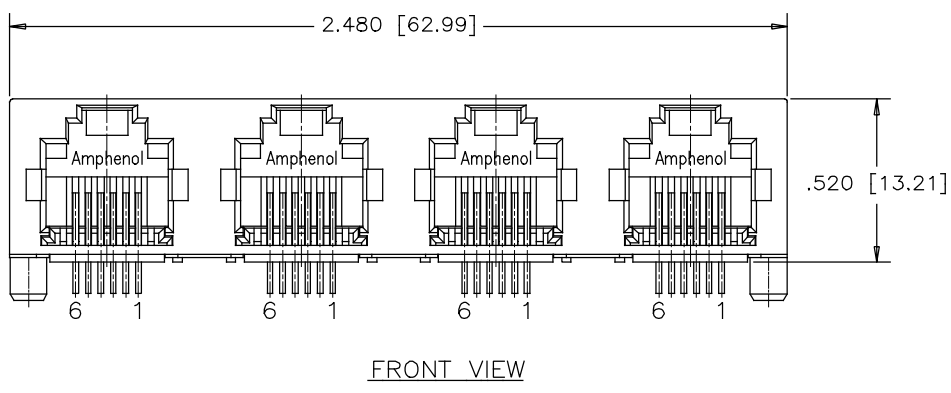
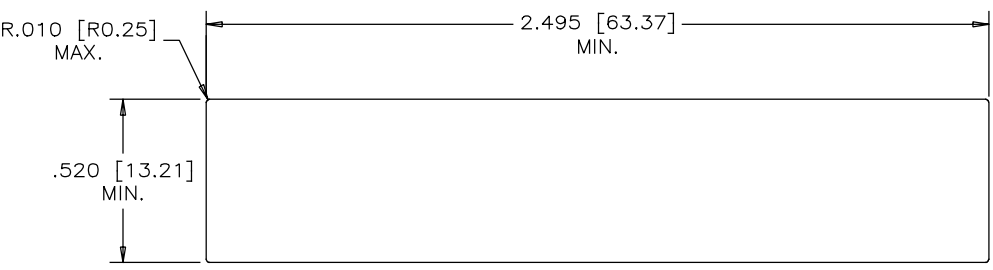


REVISIONS				
REV	DESCRIPTION, ECN, EAR NO.	DATE	APP'D	
A	PROPOSAL	MAR31/14	L.CHAN	



MATERIALS:
 PLASTIC HOUSING: ENGINEERING THERMOPLASTIC
 FLAMMABILITY RATING UL 94V-0

CONTACTS:
 PHOSPHOR BRONZE
 PLATING: 50 μ" [1.27 MICRONS]
 MIN. GOLD ON MATING SURFACES.
 50 μ" [1.27 MICRONS]
 MIN. NICKEL UNDERPLATE
 100 μ" [2.54 MICRONS]
 MIN. MATTE TIN ON CONTACT TAILS.



PART NUMBER: RJHSE-7060-04

UNLESS SPECIFIED OTHERWISE	DRAWN <i>FRANK.W</i>	DATE <i>MAR31/14</i>	Amphenol Canada Corp. www.amphenolcanada.com
PRIMARY UNITS INCH	CHECKED <i>L.CHAN</i>	DATE <i>MAR31/14</i>	
SECONDARY MILLIMETER	M.E. APP'D		TITLE
REFERENCE IN PARENTHESES	Q.A. APP'D		4 PORT, HIGH SPEED, MODULAR JACK, 6 POSITION, 6 CONTACTS, UNSHIELDED, WITHOUT LED - RoHS COMPLIANT
GENERAL TOLERANCES	DWG APPR.		DWG. NO.
1 DECIMAL PLACE ±0.025	ENG. REL. NO.		P-RJHSE-7060-04
2 DECIMAL PLACES ±0.020	REF.		REV
3 DECIMAL PLACES ±0.015	THIRD ANGLE PROJECTION	DO NOT SCALE DRAWING	A
ANGULAR DEGREES ±1.0°			CODE ID NO. 03554 DWG SIZE: C SCALE: N/A SHEET 1 OF 1

THIS DOCUMENT CONTAINS PROPRIETARY INFORMATION AND SUCH INFORMATION MAY NOT BE DISCLOSED TO OTHERS FOR ANY PURPOSE OR USED FOR MANUFACTURING PURPOSES WITHOUT WRITTEN PERMISSION FROM AMPHENOL CANADA CORP.