

NOTES:

1. METALSHELLS: STEEL; min. 315µm TIN over 40-80µm NICKEL
2. INSULATORS: PBT GF UL 94 V-0; BLACK
3. SIGNAL CONTACTS: COPPER ALLOY; PLATING (SEE PART NO.):
 - PLEASE ADD A for GOLD FLASH over NICKEL (PREFERRED TYPE)
 - PLEASE ADD B for 20µm HARD GOLD over min. 50µm NICKEL
 - PLEASE ADD C for 30µm HARD GOLD over min. 50µm NICKEL
4. PLASTIC BRACKETS: PBT GF UL 94 V-0; BLACK
5. THREADED INSERTS: COPPER ALLOY; min. 200µm TIN over 80µm NICKEL
6. GROUNDING-CLIPS: COPPER ALLOY; min. 200µm TIN over 80µm NICKEL
PCB-HOLE: Ø3,1±0,1; PCB THICKNESS 1,6mm
7. FIXING-PLATE: PBT GF UL 94 V-0; BLACK
8. PCB HOLE DRILLINGS ON SHEET 2
9. MAXIMUM TORQUE VALUE FOR THREAD: 6 in.LB
10. CONNECTOR IS PART MARKED: **163□18409X CONEC ABC** (see note 3)

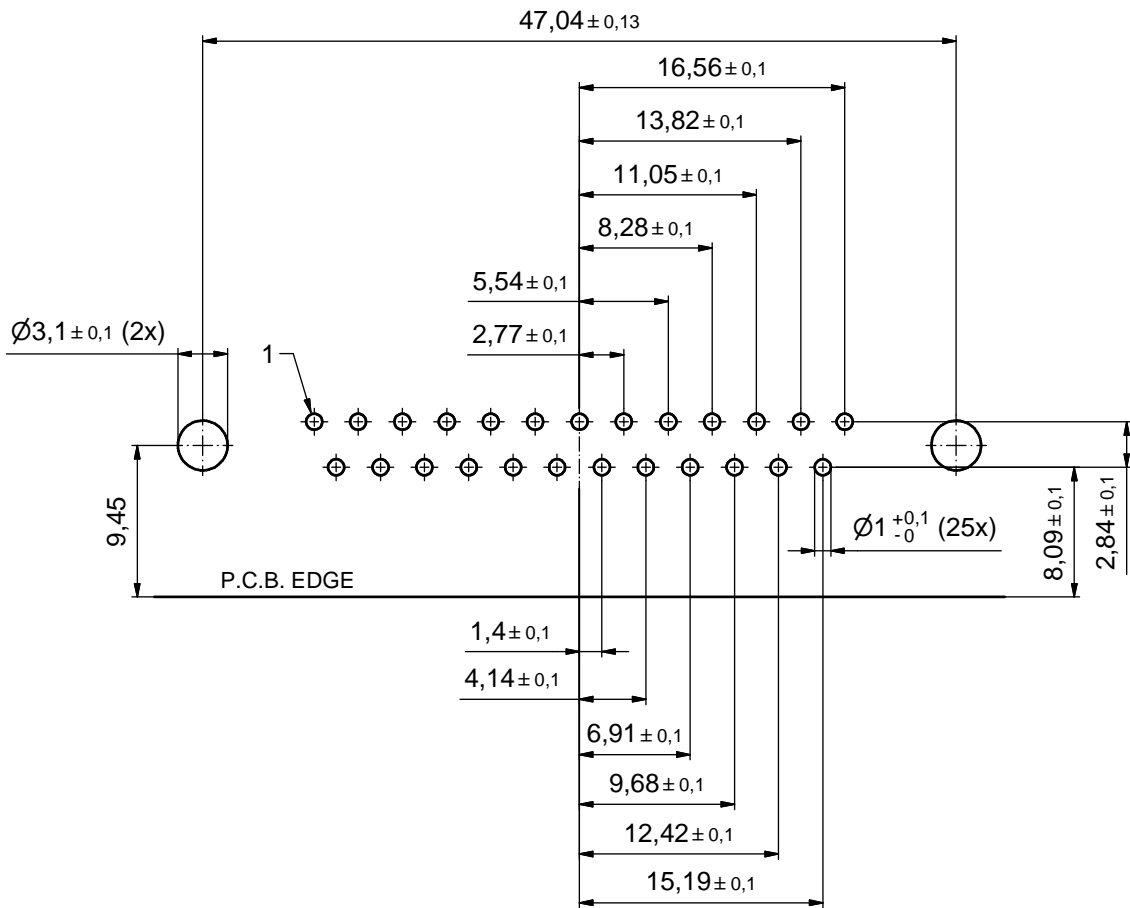
Directive 2002/95/EC RoHS compliant

THIS DRAWING MAY NOT BE COPIED OR REPRODUCED IN ANY WAY, AND MAY NOT BE PASSED ON TO A THIRD PARTY WITHOUT WRITTEN PERMISSION. OWNERSHIP AND COPYRIGHT OF CONEC GmbH

DO NOT ALTER CAD DRAWING BY HAND

tolerance		dim. in mm	
date	name	date	name
drawn 13.12.12	Lehmenkühler	date	name
appd. 14.12.12	Fischer	norm	
		d-old	
a	Original	CONEC ®	
rev.	description		
date	name		

scale:	2:1 (5:1)
material:	SEE NOTES
title:	
D-SUB MALE 90°	
25pos. SOLDER PIN ANGLED 0.318inch	
thread insert,mounting bracket,grounding clip,fixing-plate	
dwg no:	
	DIN-A3
	sh: 1
part no:	16K1A3156
	163□18409X (see note 3)



P.C.B. HOLE DRILLINGS
(P.C.B. TOP SIDE)

THIS DRAWING MAY NOT BE COPIED OR REPRODUCED IN ANY WAY, AND MAY NOT BE PASSED ON TO A THIRD PARTY WITHOUT WRITTEN PERMISSION. OWNERSHIP AND COPYRIGHT OF CONEC GmbH DO NOT ALTER CAD DRAWING BY HAND				tolerance		scale: 3:1	
				date	name	material: SEE SHEET 1	
				drawn	13.12.12	Lehmenkühler	title: P.C.B. HOLE DRILLINGS D-SUB MALE 90° 25pos. ANGLED 0.318inch thread insert, mounting bracket, grounding clip, fixing-plate
				appd.	14.12.12	Fischer	
				norm			
				d-old			
	a	Original		CONEC [®]			dwg no: 16K1A3156
rev.	description	date	name				part no: SEE SHEET 1