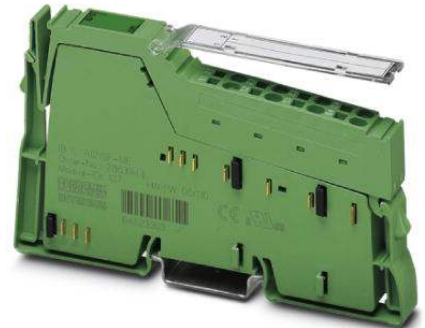


# IB IL AI 2/SF-ME


Order No.: 2863944



<http://eshop.phoenixcontact.de/phoenix/treeViewClick.do?UID=2863944>

Inline analog input terminal, Inline ME variants (Machine Edition) complete with accessories (connector and labeling field), 2 inputs, 0-20 mA, 4-20 mA,  $\pm 20$  mA, 0-10 V,  $\pm 10$  V, 2-conductor connection system



Commercial data	
GTIN (EAN)	 4 017918 962654
sales group	K412
Pack	1 pcs.
Customs tariff	85389091
Catalog page information	Page 293 (AX-2009)

#### Product notes

WEEE/RoHS-compliant since:  
07/02/2007



<http://www.download.phoenixcontact.com>  
Please note that the data given here has been taken from the online catalog. For comprehensive information and data, please refer to the user documentation. The General Terms and Conditions of Use apply to Internet downloads.

## Technical data

General data	
Width	12.2 mm
Height	119.8 mm
Depth	71.5 mm

Weight	47 g
Mounting type	DIN rail
Ambient temperature (operation)	-25 °C ... 55 °C
Ambient temperature (storage/transport)	-25 °C ... 85 °C
Permissible humidity (operation)	10 % ... 95 % (according to DIN EN 61131-2)
Permissible humidity (storage/transport)	10 % ... 95 % (according to DIN EN 61131-2)
Air pressure (operation)	70 kPa ... 106 kPa (up to 3000 m above sea level)
Air pressure (storage/transport)	70 kPa ... 106 kPa (up to 3000 m above sea level)
Degree of protection	IP20
Protection class	III, IEC 61140, EN 61140, VDE 0140-1

**Interface**

Name	Inline local bus
Type of connection	Inline data jumper
Transmission speed	500 kbps
	500 kBit/s
Transmission physics	Copper

**Inline potential routing**

Communications power $U_L$	7.5 V DC (via voltage jumper)
Current consumption from $U_L$	max. 60 mA
	Typ. 45 mA
Current consumption from $U_S$	0 A DC
I/O supply voltage $U_{ANA}$	24 V DC
Current consumption from $U_{ANA}$	max. 18 mA
	Typ. 13 mA

**Analog inputs**

Number of inputs	max. 2 (single ended)
Connection method	2, 3-wire
Input name	Analog inputs
A/D conversion time	Approx. 120 $\mu$ s (per channel)
Resolution A/D	16 bit
Limit frequency (3 dB)	40 Hz
Data formats	IL, IB ST, IB RT, standardized display
Measured value resolution	13 bits (12 bits + sign)

Current input signal	0 mA ... 20 mA
	4 mA ... 20 mA
	-20 mA ... 20 mA
Voltage input signal	0 V ... 10 V
	-10 V ... 10 V
Input resistance of voltage input	> 220 kΩ
Precision	0.3 %
Number of inputs	2 (single-ended voltage inputs)
Voltage input signal	0 V ... 10 V
	-10 V ... 10 V
Input resistance of voltage input	220 kΩ
Number of inputs	2 (single-ended current inputs)
Current input signal	0 mA ... 20 mA
	4 mA ... 20 mA
	-20 mA ... 20 mA

**Certificates / Approvals**



Certification CUL, UL  
 Certification Ex: CUL-EX LIS, UL-EX LIS

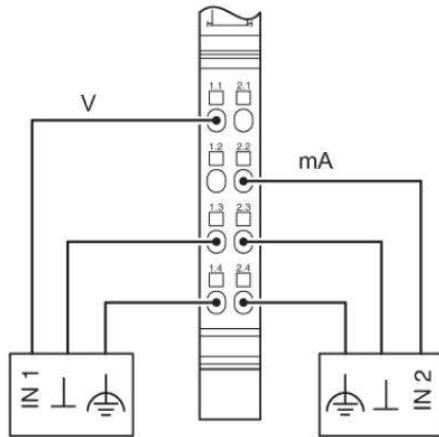
**Accessories**

Item	Designation	Description
<b>Marking</b>		
0809492	ESL 62X10	Insert strip for laser printer, lettering field: 62 x 10 mm
2727501	IB IL FIELD 2	Labeling field, width: 12.2 mm

## Diagrams/Drawings

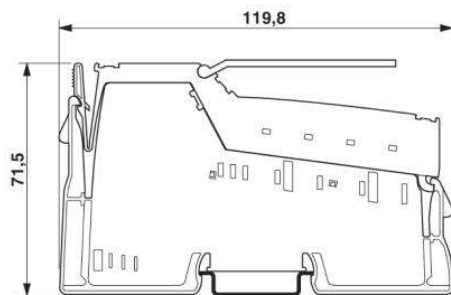
### Connection diagram

---



### Dimensioned drawing

---



**Address**

PHOENIX CONTACT Deutschland GmbH  
Flachmarktstr. 8  
32825 Blomberg, Germany  
Phone +49 5235 3 12000  
Fax +49 5235 3 41200  
<http://www.phoenixcontact.de>



© 2011 Phoenix Contact  
Technical modifications reserved;