

**May not be suitable for all Medical and Aerospace applications.
Contact Mallory Sonalert to discuss your application.**

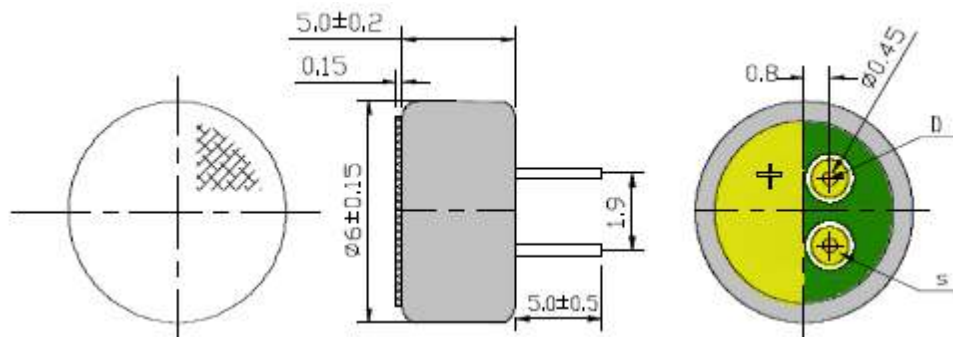
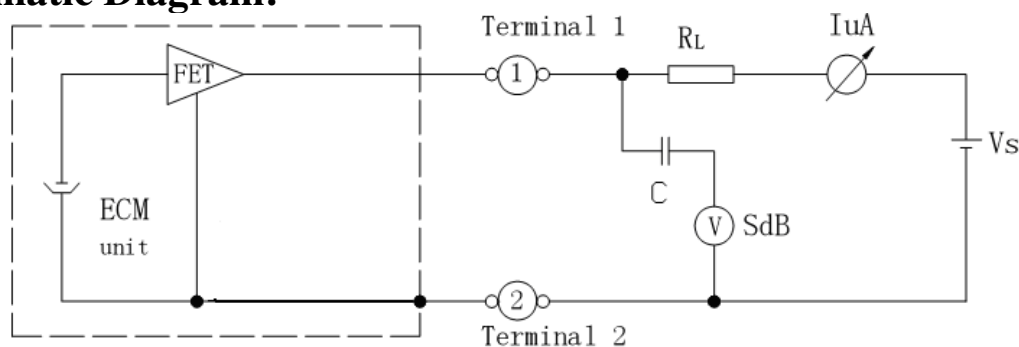
| | |
|-------------------------|---|
| Sensitivity Range | -36 ± 2 dB $R_L = 2.2$ k Ω $V_{cc} = 2.0$ v (1 kHz 0 dB = 1 v/Pa) |
| Impedance | Max. 2.2k Ω 1 kHz ($R_L = 2.2$ k Ω) |
| Frequency | 100 - 10000 Hz |
| Current Consumption | Max 0.5 mA |
| Operating Voltage Range | 1.0 – 10 V |
| Max SPL (dB) | 115 dB |
| S/N Ratio | More than 56 dB |
| Sensitivity Reduction | 4.5 –3.0V Variation less than 3 dB |
| Storage Condition | -40 ~ +70°C; R.H. < 90% |
| Operating Condition | -20 ~ +60°C; R.H. <90% |
| Weight (g) | 0.5 |

Soldering

All soldering procedures must be completed in a metallic device, with soldering iron limited as $310^\circ \pm 20^\circ\text{C}$. All fixtures and irons must be statically grounded under each soldering process.

Options

For other options contact factory

Dimensions: (units: mm)**ROHS Compliant****Schematic Diagram:** $R_L=2.2\text{k}\Omega, V_s=4.5\text{V}$ **Packaging:** Bulk pack in quantities of 100pcs.