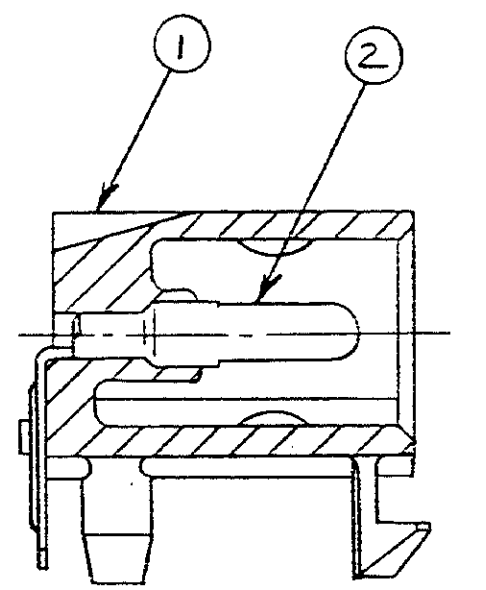
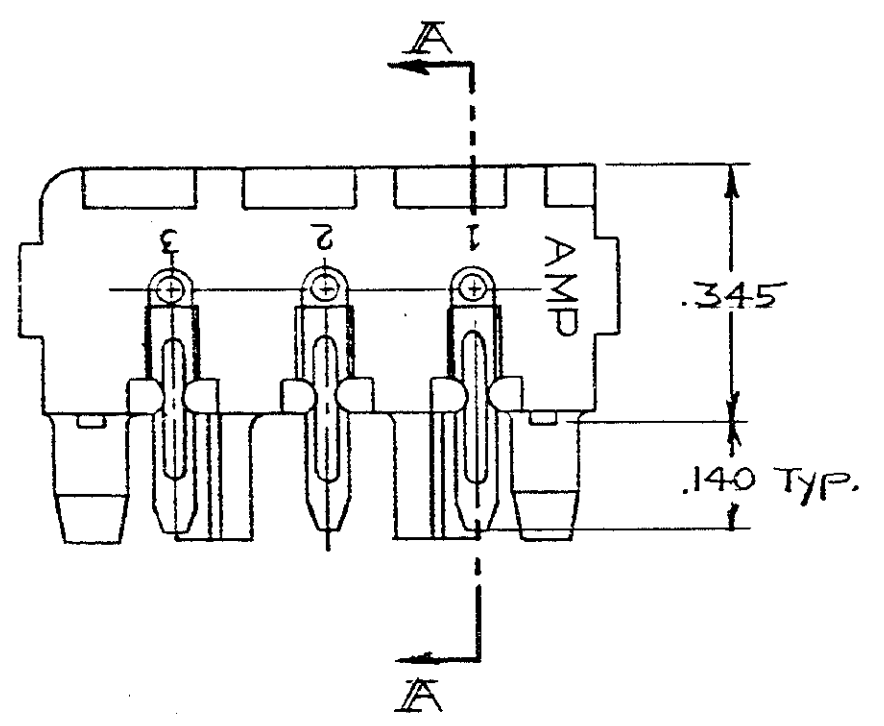
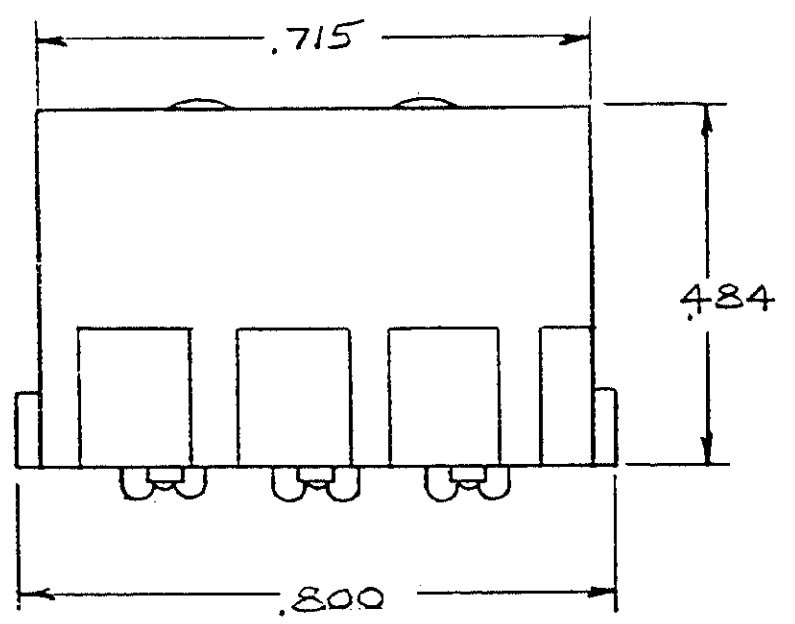


DRAWING MADE IN THIRD ANGLE PROJECTION

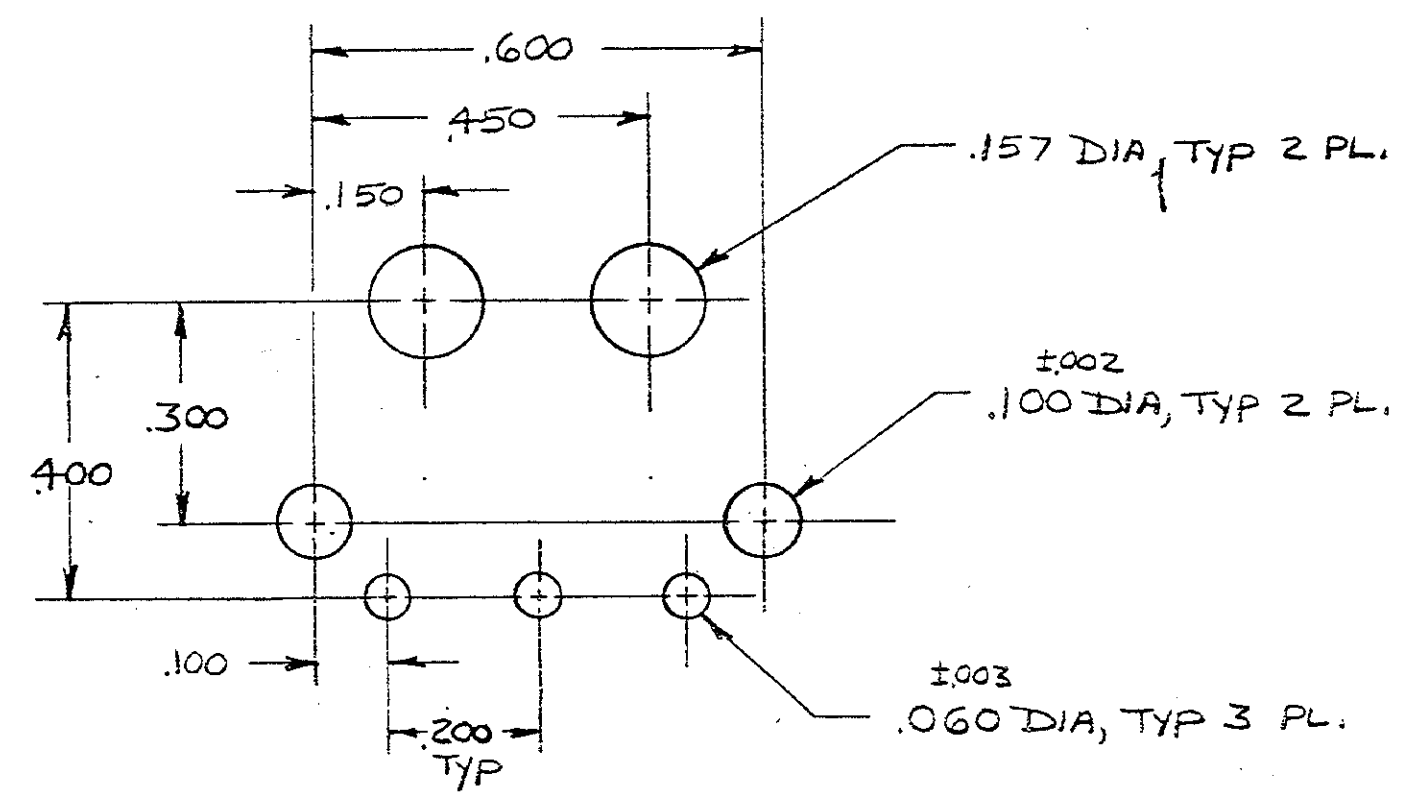
THIS DRAWING IS UNPUBLISHED. RELEASED FOR PUBLICATION 19
 © COPYRIGHT 19 BY AMP INCORPORATED, HARRISBURG, PA. ALL INTERNATIONAL RIGHTS RESERVED. AMP PRODUCTS MAY BE COVERED BY U.S. AND FOREIGN PATENTS AND/OR PATENTS PENDING.

REVISIONS						
P	F	ZONE	LTR	DESCRIPTION	DATE	APPROVED
✓			0	RELEASED NEW DRAWING, TT183-44	4/1/83	has/DH
✓			A	CHANGED PICTORIALY, M-7389	6/14/83	TW/gm
✓			A1	RESTORED	7/18/85	BD/RS
			A2	REVISED PER ECR-21-117185	20OCT2021	PJ/VS

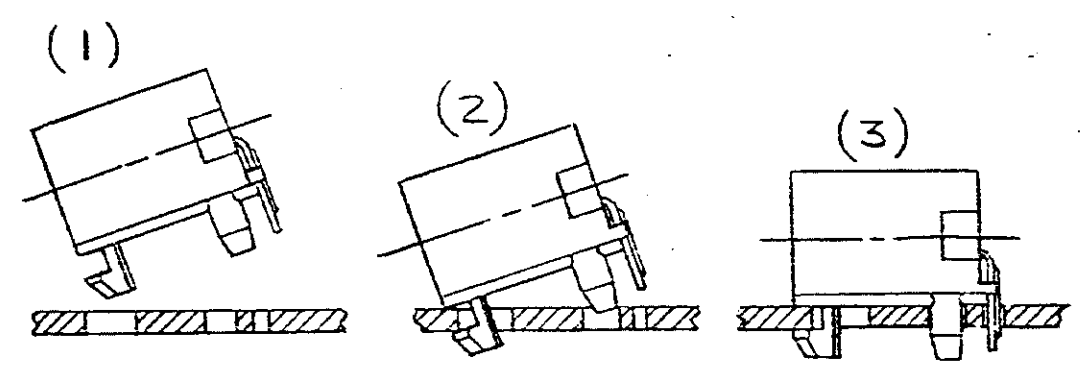
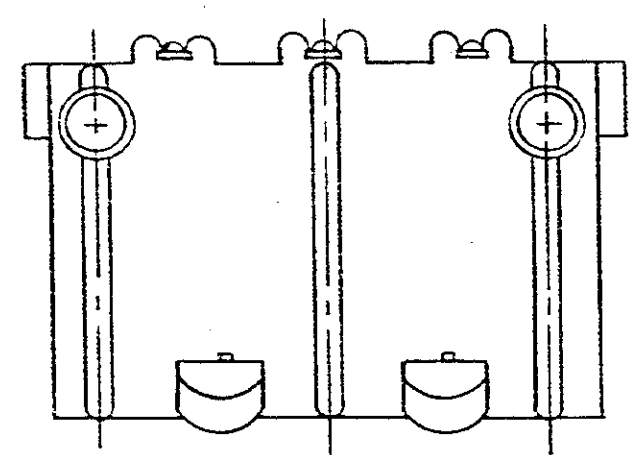
- PARTS COMPLY WITH AMP SOLDERABILITY SPEC. 109-11-3.
- RECOMMEND EXPOSURE TO SOLDER WAVE (490°F) NOT TO EXCEED 5 SECONDS.
- DIMENSION SHOWN REPRESENT PRODUCT IN DRY CONDITION. ADDITIONAL 2% GROWTH DUE TO END USE LOCATION MOISTURE ABSORPTION MAY OCCUR AND SHOULD BE ACCOUNTED FOR.



SECTION A-A



RECOMMENDED LAYOUT FOR .062 THICK P.C. BOARD
 TOL: ±.005



MOUNTING PROCEDURE

3	CONTACT	PH BRZ, PRE-TIN	2	643488-1
1	HOUSING	NYLON, 94V-0, NATURAL	1	
NO. PER ASSY	DESCRIPTION	MATERIAL & FINISH	ITEM NO.	PART NO.

UNLESS OTHERWISE SPECIFIED DIMENSIONS ARE IN INCHES. TOLERANCES ON: DECIMALS ±.015 ANGLES ±	CONTRACT NO		TE Connectivity	
	DR	4-11-83		
	MATERIAL		NAME	
	SEE TABLE		P.C. HEADER ASSEMBLY, RIGHT ANGLE MOUNT, 3 CIRCUIT, COMMERCIAL MATE-N-LOK	
FINISH		SIZE	FSCM NO	DRAWING NO
SEE TABLE		C	00779	643488
		OTHER APPD	SCALE	SHEET
			4:1	

CUSTOMER DRAWING

WAS CP83-31151-2

643488