

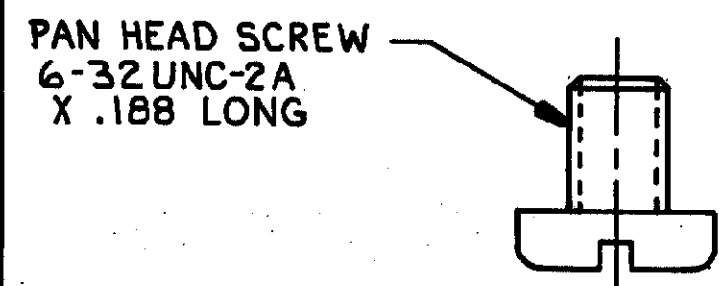
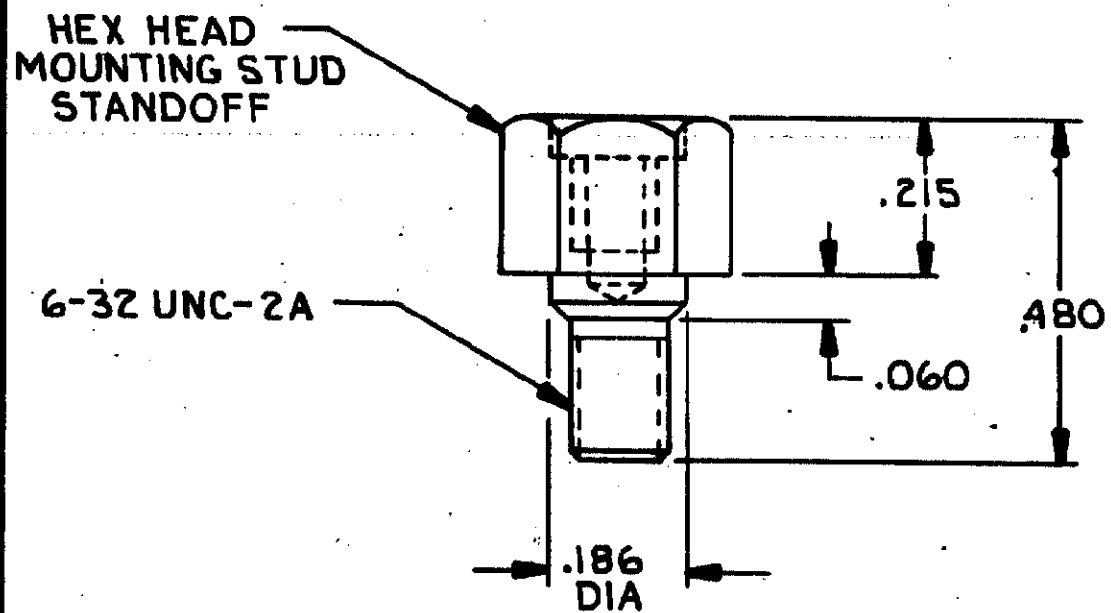
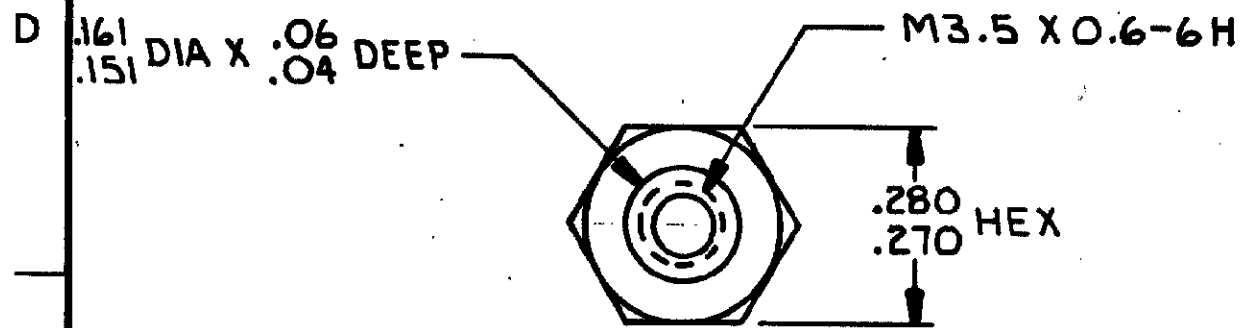
DRAWING MADE IN THIRD ANGLE PROJECTION

THIS DRAWING IS UNPUBLISHED. RELEASED FOR PUBLICATION

© COPYRIGHT 19 BY AMP INCORPORATED, HARRISBURG, PA. ALL INTERNATIONAL RIGHTS RESERVED. AMP PRODUCTS MAY BE COVERED BY U.S. AND FOREIGN PATENTS AND/OR PATENTS PENDING.

LOC AA DIST 20

REVISIONS						
P	F	ZONE	LTR	DESCRIPTION	DATE	APPROVED
B			B	REVISED; ECR AA-6042	6-13-85	LHS AH



1. ALL DIMENSIONS SHOWN ARE MAXIMUM UNLESS OTHERWISE SPECIFIED.
2. MATERIAL: STANDOFF - BLACK OXIDE COATED PANHEAD SCREW - ZINC PLATED STEEL.
3. TWO OF EACH COMPONENT REQUIRED PER KIT.
4. ONE KIT SHIPPED PER POLY BAG.

.188 LONG	.062	.062-.093	554858-1
PAN HEAD SCREW	FOR PCB THICKNESS	FOR PANEL THICKNESS	PART NO

UNLESS OTHERWISE SPECIFIED DIMENSIONS ARE IN INCHES. TOLERANCES ON: DECIMALS ± ANGLES ±	CONTRACT NO		AMP   AMP INCORPORATED Harrisburg, Pa.	
	DR <i>C. Yates</i> 7-2-85			
MATERIAL	CHK <i>For</i> 7-10-85		NAME HARDWARE KIT, VERTICAL MOUNTING	
	APPO <i>Terry A. Smith</i> 7-11-85		PREASSEMBLED SHIELDED, IEEE CHAMP	
FINISH	OSGN APPD <i>W. Lidartuck</i> 7-11-85		SIZE	FSCM NO
	OTHER APPD		B	00779
			DRAWING NO	554858
SCALE 4:1			SHEET 1 OF 1	

AMP 1470-17

CUSTOMER DRAWING