

DWG. NO. SD-54876-005

F

D

V

C

B

DO NOT SCALE DRAWING

EC NO. DRWN: CH'K: APPR:  
EC NO. DRWN: CH'K: APPR:  
EC NO. DRWN: CH'K: APPR:

PRE-RELEASE  
REFERENCE  
USE ONLY

REVISED '03/11/25  
EC NO. J2004-1233  
DRWN: T.TSUBOI  
CH'K: S.MARUYAMA  
APPR: M.SASAO  
RELEASED '03/07/18  
EC NO. J2004-0163  
DRWN: R.SUMIYA  
CH'K: T.ITO  
APPR: T.YAMAGUCHI

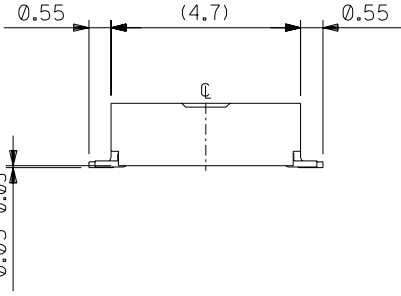
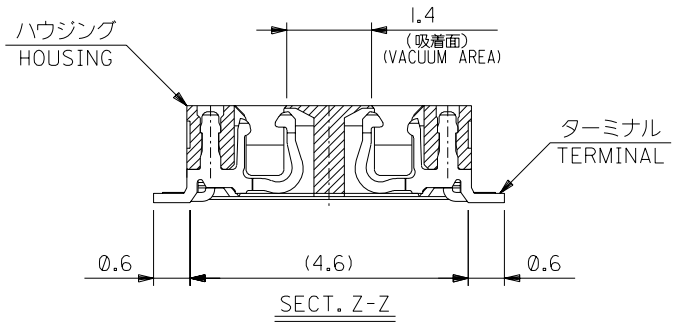
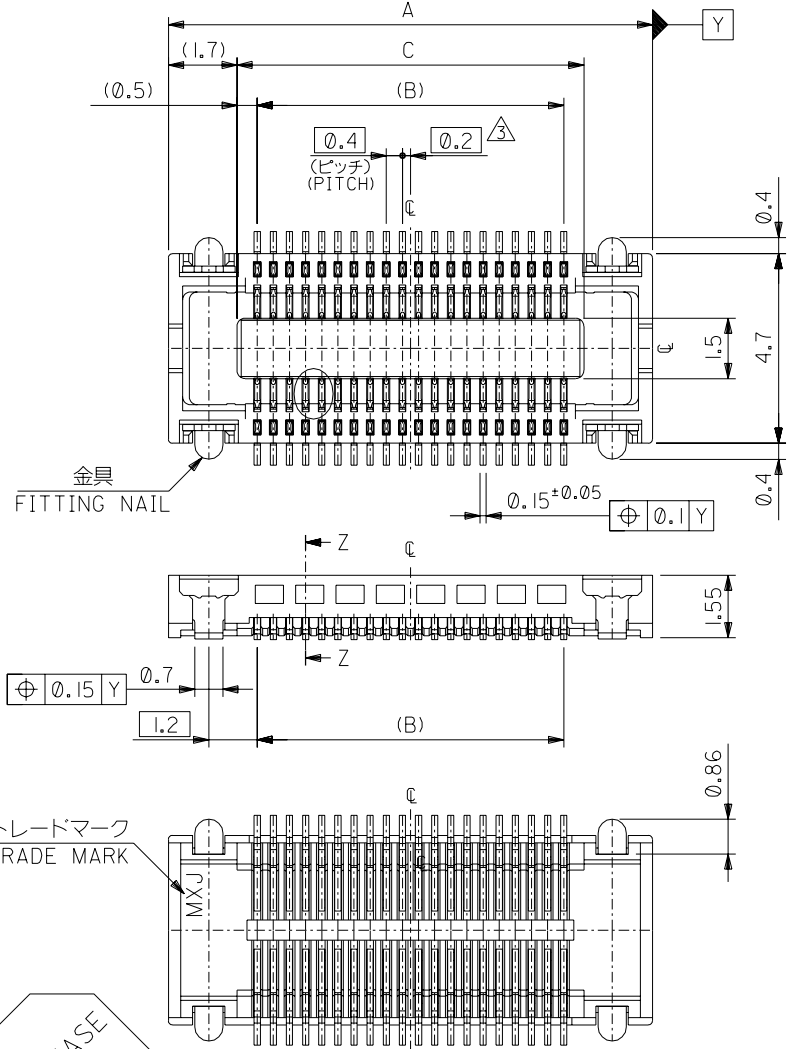
MATERIAL 材料  
FINISH 仕上り  
WIRE RANGE 適用線径範囲  
INS. RANGE 被覆外径  
DESCRIPTION 記述  
TRADE MARK MXJ

注記参照  
SEE NOTES

//

//

//



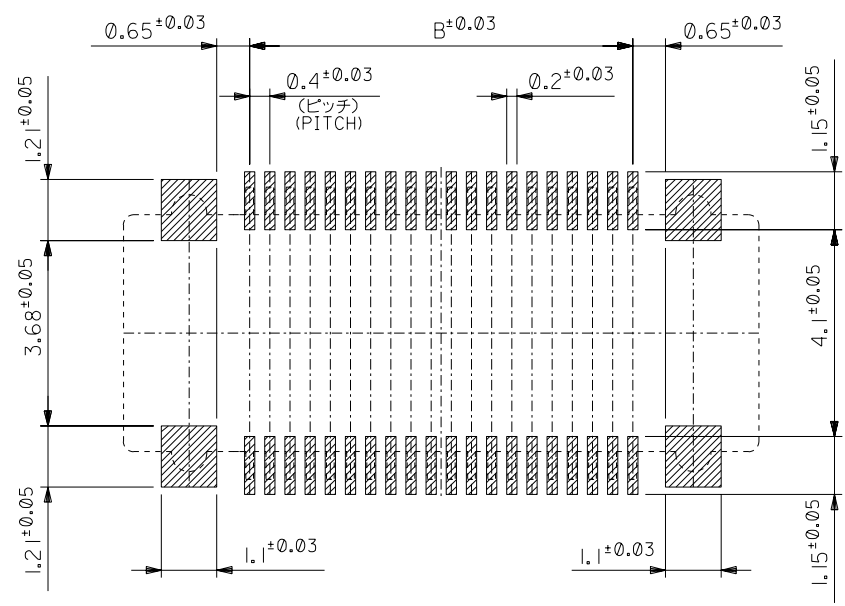
無鉛  
LEAD FREE

24.6	23.6	28	54876-1203	120
8.6	7.6	12	54876-0403	40
C	B	A	MATERIAL NO.	Ck+

MODEL NO.		54876-***3		DIMENSIONS:		SHT	REV
SCALE	DESIGN UNITS	THIRD ANGLE PROJECTION		<input type="checkbox"/> mm	<input type="checkbox"/> INCH	<input checked="" type="checkbox"/> mm	<input type="checkbox"/> ONLY
DRAWN BY & DATE		TITLE:					
R.SUMIYA '03/07/18		0.4 B-To-B Rec Hsg Assy WITH Nail (Hg+2.5) [Ni Barrier]					
CHECKED BY & DATE		MATERIAL NO.					
T.ITO '03/07/18		DRAWING NO.					
APPROVED BY & DATE		MATERIAL NO.		DRAWING NO.		SHEET NO.	
T.YAMAGUCHI '03/07/18		SD-54876-005.S01		SD-54876-005		1 OF 2	
CAD FILENAME		MATERIAL NO.		DRAWING NO.		SIZE	
SD-54876-005.S01		SEE CHART		SD-54876-005		B	

THIS DRAWING CONTAINS INFORMATION THAT IS PROPRIETARY TO MOLEX INCORPORATED AND SHOULD NOT BE USED WITHOUT WRITTEN PERMISSION.

SD-54876-005.S01



参考基板レイアウト (マウント面)  
P.C. BOARD PATTERN DIMENSION (REFERENCE)  
(MOUNTING AREA)

注記 NOTES

- 使用材料 MATERIAL  
ハウジング: 液晶ポリマー ガラス充填 UL94V-0 (黒)  
HOUSING: LIQUID CRYSTAL POLYMER (GLASS FILLED)  
UL94V-0 (COLOR: BLACK)  
ターミナル: リン青銅 (t=0.15)  
TERMINAL: PHOSPHOR BRONZE (t=0.15)  
金具: リン青銅 (t=0.15)  
FITTING NAIL: PHOSPHOR BRONZE (t=0.15)
  - メッキ仕様 PLATING  
ターミナル TERMINAL  
金メッキ 0.1マイクロメートル以上 (コンタクト部)  
GOLD 0.1MICROMETER MINIMUM (CONTACT AREA)  
金メッキ 0.4マイクロメートル以下 (テール部)  
GOLD 0.4MICROMETER MAXIMUM (TAIL AREA)  
下地メッキ: ニッケルメッキ 1.5マイクロメートル以上  
UNDER PLATING: NICKEL 1.5MICROMETER MINIMUM  
\*コンタクト部とテール部はニッケルメッキによって分断されている金メッキです。  
DIVIDE INTO PARTS THE GOLD PLATING OF THE CONTACT AND THE TAIL PART BY THE NICKEL PLATING.  
金具 FITTING NAIL  
錫銅メッキ 1.0マイクロメートル以上  
TIN-COPPER 1.0MICROMETER MINIMUM  
下地メッキ: ニッケルメッキ 1.0マイクロメートル以上  
UNDER PLATING: NICKEL 1.0MICROMETER MINIMUM
- △ (全極数/2) = 偶数の場合に適用。  
APPLY FOR (CIRCUIT/2) = EVEN
- 嵌合相手: 55686シリーズ  
MATE WITH: 55686 SERIES
  - テール平坦度は、0.08以下  
テール及び金具の平坦度は、0.1以下  
TAIL COPLANARITY TO BE 0.08 MAXIMUM.  
TAIL AND FITTING NAIL  
COPLANARITY TO BE 0.1 MAXIMUM.

無鉛  
LEAD FREE

DO NOT SCALE DRAWING

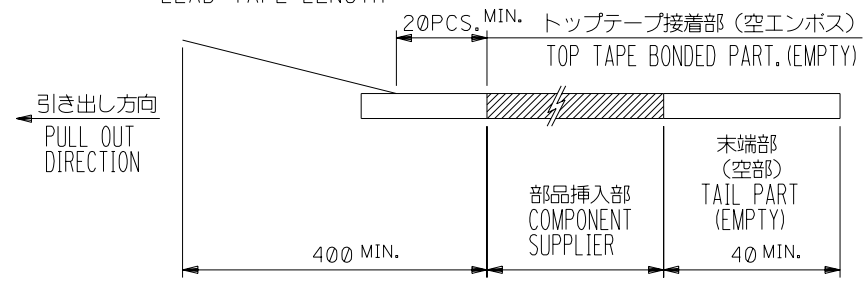
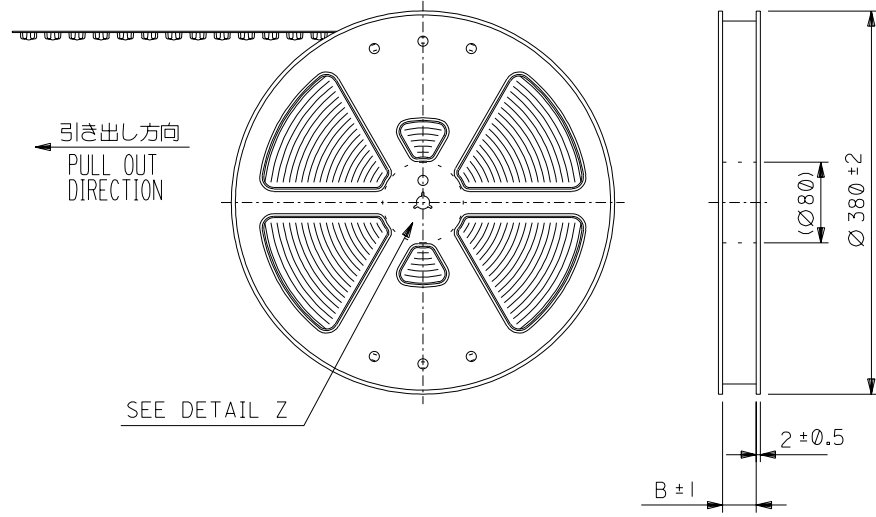
PRE-RELEASE  
REFERENCE  
USE ONLY

EC NO. DRAWN: CHK'g: APPR:	EC NO. DRAWN: CHK'g: APPR:	EC NO. DRAWN: CHK'g: APPR:	REVISED '03/11/25 EC NO. J2004-1233 DRWN: T.TSUBOI CHK'g: S.MARUYAMA APPR: M.SASAO	RELEASED '03/07/18 EC NO. J2004-0163 DRWN: R.SUMIYA CHK'g: T.ITO APPR: T.YAMAGUCHI	DESCRIPTION MATERIAL 材料 FINISH 仕上げ WIRE RANGE 適用線径範囲 INS. RANGE 被覆外径	注記参照 SEE NOTES // // //	GENERAL TOLERANCES: (UNLESS SPECIFIED) 一般公差 10 UNDER 未満 ±0.2 10 OVER 以上 30 UNDER 未満 ±0.25 30 OVER 以上 ±0.3 ANGLE 角度 ±3°	MODEL NO. 54876-***3 SCALE // DESIGN UNITS THIRD ANGLE PROJECTION DRAWN BY & DATE R.SUMIYA '03/07/18 CHECKED BY & DATE T.ITO '03/07/18 APPROVED BY & DATE T.YAMAGUCHI '03/07/18 CAD FILENAME SD-54876-005.S02	DIMENSIONS: mm INCH mm ONLY	SHT 2 OF 2 REV REVISION ON CAD ONLY	TITLE: 0.4 B-To-B Rec Hsg Assy WITH Nail (Hg+2.5) [Ni Barrier]	MATERIAL NO. SEE CHART DRAWING NO. SD-54876-005	SHEET NO. 2 OF 2 SIZE B
-------------------------------------	-------------------------------------	-------------------------------------	--	--	--	-------------------------------------	--	--	-----------------------------------	--	--	--	----------------------------

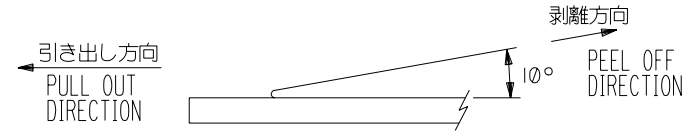
DWG. NO. SD-54876-006

注記 NOTES

- 製品詳細寸法については、図面 SD-54876-005 を参照下さい。  
PRODUCT'S DETAIL DIMENSIONS, PLEASE REF. SD-54876-005.
- 梱包数量：2000個/リール  
PACKAGE SPECIFICATION: 2000 PCS./REEL
- リードテープ長さ  
LEAD TAPE LENGTH

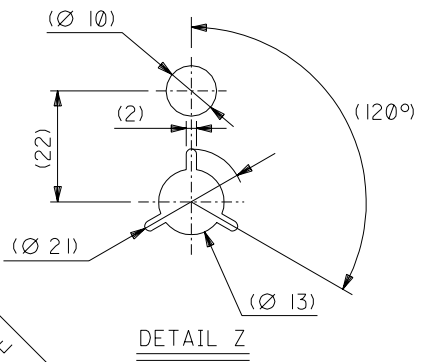


- トップテープの剥離強度：0.1N~0.7N (10.2gf~71.4gf)  
(剥離方向は下図参照)  
尚、本規格値は出荷時に適用。(但し、輸送時に剥離が発生しないこと。)  
PEELING FORCE OF TOP TAPE: 0.1N - 0.7N (10.2gf - 71.4gf)  
(PEELING DIRECTION AS SHOWN IN FOLLOWING FIGURE)  
THIS REQUIREMENT SHOULD BE APPLIED AT SHIPMENT.  
PEEL OFF SHOULD NOT BE ALLOWED, DURING TRANSPORTATION.



- 材料 (MATERIAL)  
キャリアテープ (CARRIER TAPE) : ポリプロピレン (POLYPROPYLENE)  
トップテープ (TOP TAPE) : PET, PE, PEF  
リール (REEL) : ポリスチレン (POLYSTYRENE) <リサイクル材を含む>  
<RECYCLE MATERIAL CONTAINED>

無鉛  
LEAD FREE

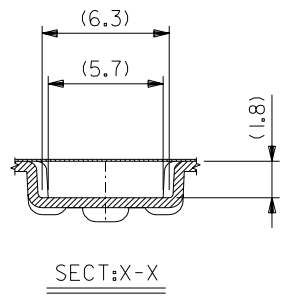
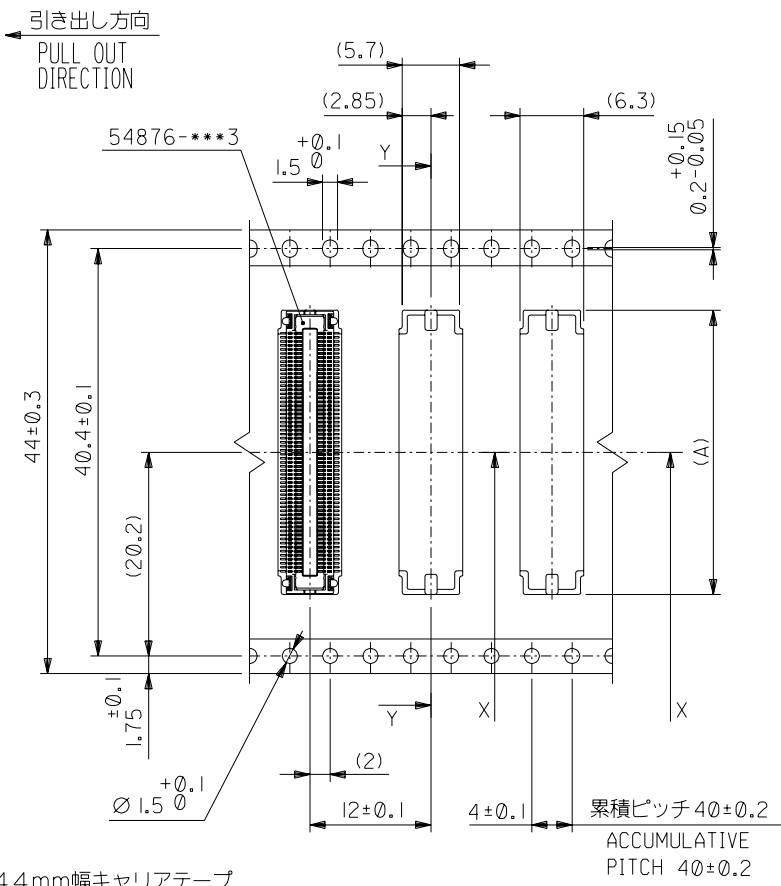
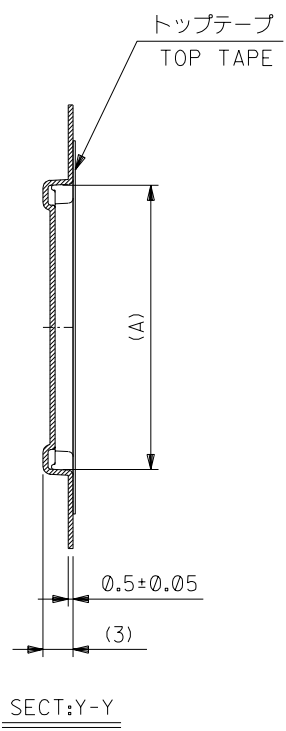


PRE-RELEASE  
REFERENCE  
USE ONLY

DO NOT SCALE DRAWING

EC NO. DRWN: CHK: APPR:		EC NO. DRWN: CHK: APPR:		EC NO. DRWN: CHK: APPR:		REVISED '03/11/25 EC NO. J2004-1233 DRWN: T.TSUBOI CHK: S.MARUYAMA APPR: M.SASAO		RELEASED '03/07/18 EC NO. J2004-0163 DRWN: R.SUMIYA CHK: T.ITO APPR: T.YAMAGUCHI		MATERIAL 材料 注記参照 SEE NOTES		GENERAL TOLERANCES: (UNLESS SPECIFIED) 一般公差		SCALE //		MODEL NO. 54876-***4		DIMENSIONS: <input type="checkbox"/> mm <input type="checkbox"/> INCH <input checked="" type="checkbox"/> mm ONLY		SHT REV	
EC NO. DRWN: CHK: APPR:		EC NO. DRWN: CHK: APPR:		EC NO. DRWN: CHK: APPR:		A		0		FINISH 仕上げ //		10 UNDER 未満 ±0.2		DRAWN BY & DATE R.SUMIYA '03/07/18		TITLE: 0.4 B-To-B Rec Assy (Hgt=2.5) [Ni Barrier] Embstp Pkg		MATERIAL NO. SEE CHART		DRAWING NO. SD-54876-006	
EC NO. DRWN: CHK: APPR:		EC NO. DRWN: CHK: APPR:		EC NO. DRWN: CHK: APPR:		A		0		WIRE RANGE 適用層線範囲 //		10 OVER 30 UNDER 以上 未満 ±0.25		CHECKED BY & DATE T.ITO '03/07/18		MOLEX MOLEX INCORPORATED		SHEET NO. 1 OF 3			
EC NO. DRWN: CHK: APPR:		EC NO. DRWN: CHK: APPR:		EC NO. DRWN: CHK: APPR:		A		0		INS. RANGE 被覆外径 //		30 OVER 以上 ±0.3		APPROVED BY & DATE T.YAMAGUCHI '03/07/18		MATERIAL NO. SEE CHART		DRAWING NO. SD-54876-006		SHEET NO. 1 OF 3	
EC NO. DRWN: CHK: APPR:		EC NO. DRWN: CHK: APPR:		EC NO. DRWN: CHK: APPR:		A		0		ANGLE 角度 //		3°		CAD FILENAME SD-54876-006.S01		MATERIAL NO. SEE CHART		DRAWING NO. SD-54876-006		SHEET NO. 1 OF 3	
THIS DRAWING CONTAINS INFORMATION THAT IS PROPRIETARY TO MOLEX INCORPORATED AND SHOULD NOT BE USED WITHOUT WRITTEN PERMISSION.																				SIZE B	

SD-54876-006.S01



無鉛  
LEAD FREE

PRE-RELEASE  
REFERENCE  
USE ONLY

DO NOT SCALE DRAWING

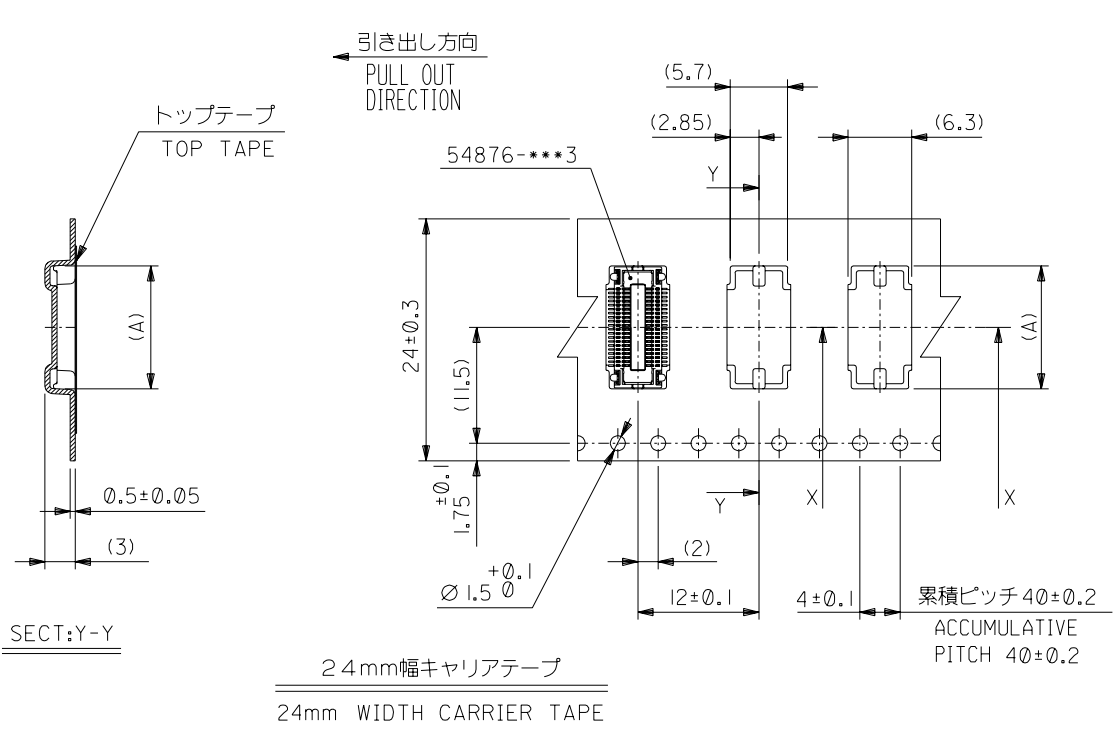
EC NO. DRWN: CHK: APPR:	EC NO. DRWN: CHK: APPR:	EC NO. DRWN: CHK: APPR:	REVISED '03/11/25 EC NO. J2004-1233 DRWN: T.TSUBOI CHK: S.MARUYAMA APPR: M.SASAO	RELEASED '03/07/18 EC NO. J2004-0163 DRWN: R.SUMIYA CHK: T.ITO APPR: T.YAMAGUCHI	DESCRIPTION
			A	0	注記参照 SEE NOTES
					FINISH 仕上げ
					WIRE RANGE 適用線径範囲
					INS. RANGE 被覆外径

MATERIAL 材料	注記参照 SEE NOTES
FINISH 仕上げ	//
WIRE RANGE 適用線径範囲	//
INS. RANGE 被覆外径	//

GENERAL TOLERANCES: (UNLESS SPECIFIED) 一般公差	SCALE //	DESIGN UNITS <input checked="" type="checkbox"/> mm <input type="checkbox"/> INCH
10 UNDER 未満	±0.2	
10 OVER 30 UNDER 以上 未満	±0.25	
30 OVER 以上	±0.3	
ANGLE 角度	±3°	

44	44.4	28.2	54876-1204	120
キャリアテープ幅 CARRIER TAPE WIDTH	B	(A)	MATERIAL NO.	極数 CKT.
MODEL NO.	54876-***4	DIMENSIONS:		SHT REV
		<input type="checkbox"/> mm <input type="checkbox"/> INCH	<input type="checkbox"/> mm <input checked="" type="checkbox"/> mm ONLY	THIRD ANGLE PROJECTION
DRAWN BY & DATE R.SUMIYA '03/07/18		TITLE: 0.4 B-To-B Rec Assy (Hgt=2.5) [Ni Barrier] Embstp Pkg		
CHECKED BY & DATE T.ITO '03/07/18		MOLEX MOLEX INCORPORATED		
APPROVED BY & DATE T.YAMAGUCHI '03/07/18		MATERIAL NO.	DRAWING NO.	SHEET NO.
CAD FILENAME SD-54876-006.S02		SEE CHART	SD-54876-006	3 OF 3
THIS DRAWING CONTAINS INFORMATION THAT IS PROPRIETARY TO MOLEX INCORPORATED AND SHOULD NOT BE USED WITHOUT WRITTEN PERMISSION.				SIZE B

DWG. NO. SD-54876-006



24mm幅キャリアテープ  
24mm WIDTH CARRIER TAPE

無鉛  
LEAD FREE

24	24.4	12.2	54876-0404	40
キャリアテープ幅 CARRIER TAPE WIDTH	B	(A)	MATERIAL NO.	極数 CKT.

MODEL NO.	54876-***4	DIMENSIONS:	SHT	REV
		<input type="checkbox"/> mm <input type="checkbox"/> INCH <input checked="" type="checkbox"/> mm ONLY		REVISE ON CAD ONLY

SCALE	DESIGN UNITS	THIRD ANGLE PROJECTION	TITLE:	
1/1	<input checked="" type="checkbox"/> mm <input type="checkbox"/> INCH	<input checked="" type="checkbox"/>	0.4 B-To-B Rec Assy (Hgt=2.5) [Ni Barrier] Embstp Pkg	
DRAWN BY & DATE		MATERIAL NO.		
T.TSUBOI '03/11/25		DRAWING NO.		
CHECKED BY & DATE		SHEET NO.		
S.MARUYAMA '03/11/25		SD-54876-006		
APPROVED BY & DATE		2 OF 3		
M.SASAO '03/11/25		SIZE		
CAD FILENAME		B		
SD-54876-006.S03				

THIS DRAWING CONTAINS INFORMATION THAT IS PROPRIETARY TO MOLEX INCORPORATED AND SHOULD NOT BE USED WITHOUT WRITTEN PERMISSION.

PRE-RELEASE  
REFERENCE  
USE ONLY

DO NOT SCALE DRAWING

EC NO.	REVISED	MATERIAL	GENERAL TOLERANCES:	SCALE	DESIGN UNITS	THIRD ANGLE PROJECTION	SHT	REV
DRWN: CH'K: APPR:	'03/11/25	材料	(UNLESS SPECIFIED)	1/1	<input checked="" type="checkbox"/> mm <input type="checkbox"/> INCH	<input checked="" type="checkbox"/>		REVISE ON CAD ONLY
	EC NO. J2004-1233	仕上げ	10 UNDER 未満					
	DRWN: T.TSUBOI	//	10 OVER 30 UNDER 未満					
	CH'K: S.MARUYAMA		30 OVER 以上					
	APPR: M.SASAO	適用層被覆範囲	ANGLE 角度					
		//	3°					
		INS. RANGE 被覆外径						
		//						

DESCRIPTION	SEE NOTES
REV	

DESCRIPTION	SEE NOTES
REV	

DESCRIPTION	SEE NOTES
REV	

DESCRIPTION	SEE NOTES
REV	

DESCRIPTION	SEE NOTES
REV	

DESCRIPTION	SEE NOTES
REV	