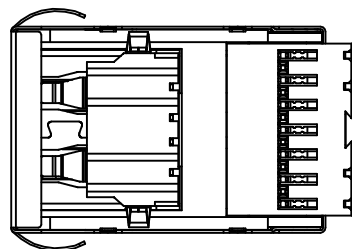
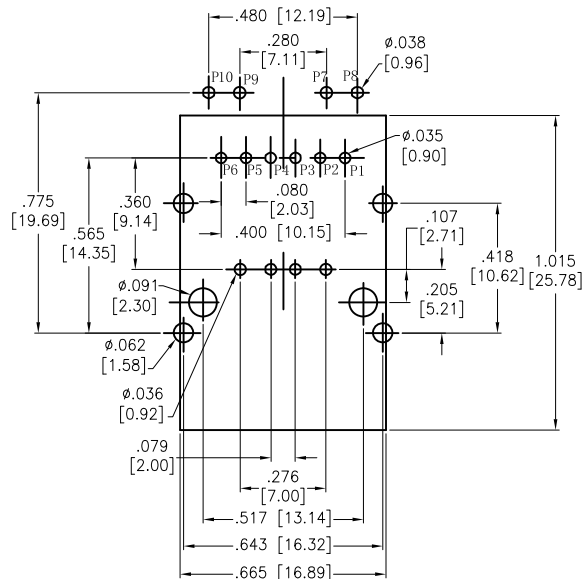
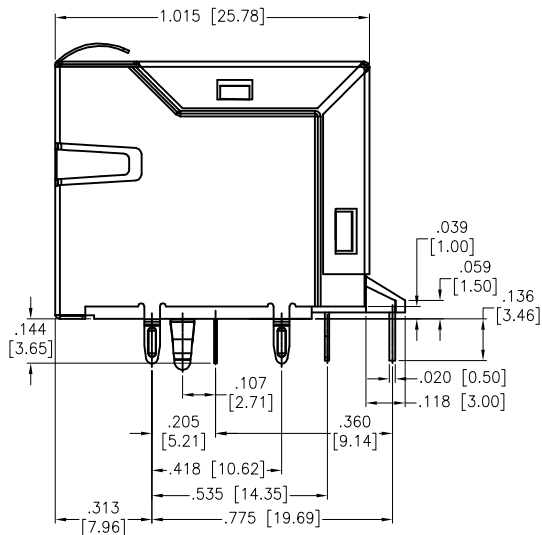
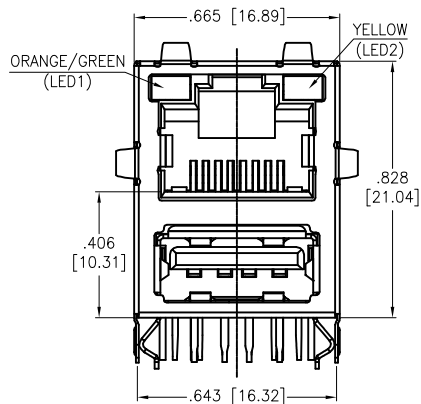


APPROVED: \_\_\_\_\_  
 DATE: \_\_\_\_\_ TITLE: \_\_\_\_\_

Rev	AWO #	Description	Date	Appr
-	9785	RELEASED	10/16/09	
A		REDRAWN	02/17/12	
B		REVISED SHAPE & SPEC.	1/2/13	



**SPECIFICATIONS:**

**Material:**  
 Insulator: PBT, glass reinforced, thermoplastic, rated UL 94V-0  
 Insulator color: Black  
 Contacts: Phosphor Bronze  
 Shield: Copper Alloy, Nickel plated  
**Plating:**  
 Round contact  
 Gold over Nickel underplate overall  
 Flat contact  
 Gold over Nickel underplate on contact area,  
 Tin over Nickel underplate on solder tails  
 (See chart for thickness)  
**Electrical:**  
 RJ45:  
 Insulation Resistance: 500M ohm Min  
 Dielectric Withstanding Voltage: 1000VAC Min  
 USB:  
 Contact Current Rating: 1.5A Max  
 Contact Resistance: 30m ohm Max  
 Insulation Resistance: 1000M ohm Min  
 Dielectric Withstanding Voltage: 500VAC Min  
 Temperature Rating:  
 Operating temperature: 0°C to +70°C  
**Environmental:**  
 Lead free, RoHS compliant.

X	PLATING
0	15 µin Gold
1	30 µin Gold
2	50 µin Gold
6	6 µin Gold

UNLESS OTHERWISE SPECIFIED  
 ALL DIMENSIONS ARE INCHES [MM]  
 TOLERANCES: EXCEPT AS NOTED  
 INCHES HOLES

.X ± .10 Ø.X ± .10  
 .XX ± .020 Ø.XX ± .015  
 .XXX ± .015 Ø.XXX ± .010

APPROVALS		DATE
DRAWN	DY	10/16/09
CHECKED		
APPROVED		

**ADAM TECH**

909 Rahway Avenue, Union, NJ 07083  
 Phone: 908-687-5000 Fax: 908-687-5710

TITLE  
**MODULAR JACK GANGED, 1 PORT, 8P8C  
 RJ45+ USB 2.0 W/LED**

SIZE	PART NO.	REV.
X	MTJ-USB-88JX1-FS-PG-LL-M41	B
REF: S00005C	SCALE: NTS	SHEET 1 OF 2



6

5

4

3

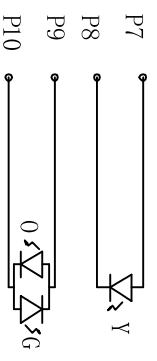
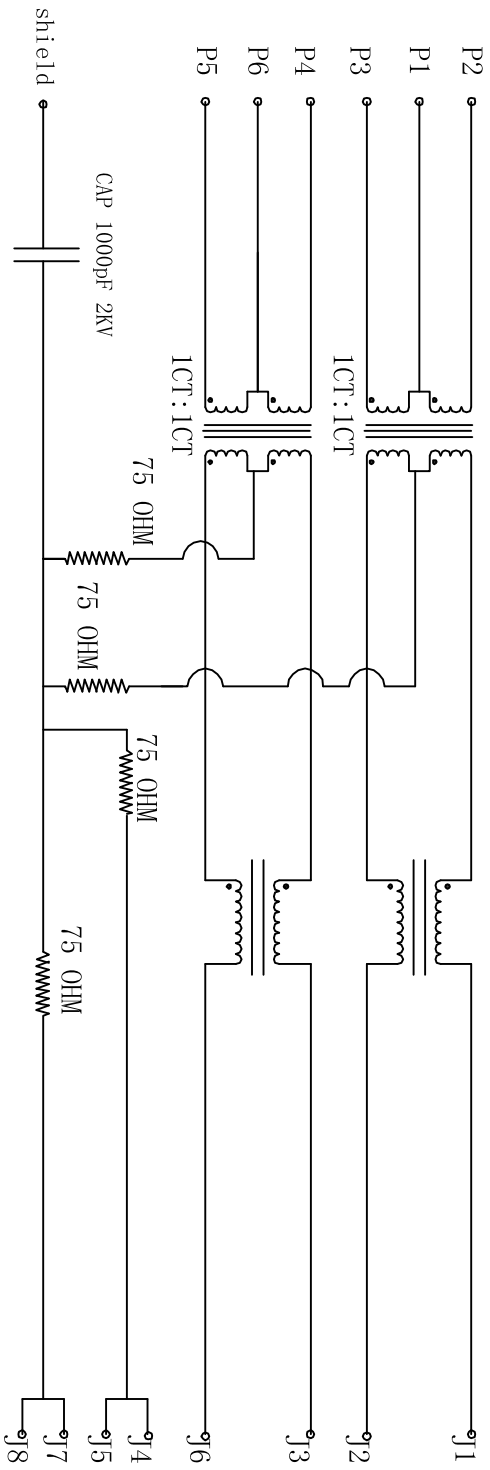
2

1

Rev	AWO #	Description	Date	Appr
		SEE SH1 1 OF 2 FOR REVISION		

APPROVED: \_\_\_\_\_

DATE: \_\_\_\_\_ TITLE: \_\_\_\_\_



**ELECTRICAL SPECIFICATIONS**

- Turns Ratio: (P2 ~ P3) : (J1 ~ J2) 1:1 ±3%  
(P4 ~ P5) : (J3 ~ J6) 1:1 ±3%
- Inductance: (P2 ~ P3) 350uH min. @ 0.1V, 100KHZ, 8mA DC Bias  
(P4 ~ P5) 350uH min. @ 0.1V, 100KHZ, 8mA DC Bias
- Leakage Inductance: P2 ~ P3 (with J1 and J2 Short): 0.35uH Max. @ 1 MHz  
P4 ~ P5 (with J3 and J6 Short): 0.35uH Max. @ 1 MHz
- Intertwinding Capacitor: (P2 ~ P3) : (J1 ~ J2): 35pF max. @ 1MHz  
(P4 ~ P5) : (J3 ~ J6): 35pF max @ 1mhz
- DC Resistance: (J1 ~ J2) : (J3 ~ J6): 1.2 Ohms Max.
- Return Loss: 1MHz to 30MHz: -18dB min  
30MHz to 60MHz: -(18-20)log(f/30)dB Min. (Where f is in MHz)  
60MHz to 80MHz: -12dB min
- Dielectric Withstanding: (P2~P3) : (J1~J2): (P4~P5) : (J3~J6) :1500 VAC OR 2250 VDC
- Insertion Loss: 1MHz TO 100MHz : -1.2dB Max.
- Cross Talk: 1MHZ to 100MHZ: -30dB Min.
- Common to Common mode Attention 1MHz to 100MHz: -30dB Min.

UNLESS OTHERWISE SPECIFIED  
ALL DIMENSIONS ARE INCHES [MM]  
TOLERANCES: EXCEPT AS NOTED  
INCHES HOLES

.X	± .10	Ø.X	± .10
.XX	± .020	Ø.XX	± .015
.XXX	± .015	Ø.XXX	± .010

APPROVALS

DRAWN	DY	DATE
		10/16/09

**ADAM TECH**  
909 Ratway Avenue, Union, NJ 07083  
Phone: 908-687-5000 Fax: 908-687-5710

TITLE: MODULAR JACK GANGED, 1 PORT, 8P8C  
RJ45+ USB 2.0 W/LED

CHECKED		SIZE	PART NO.	REV.
APPROVED		X	MTJ-USB-88JX1-FS-PG-LL-M41	B
		REF:	S0005C	
		SCALE:	NTS	SHEET 2 OF 2