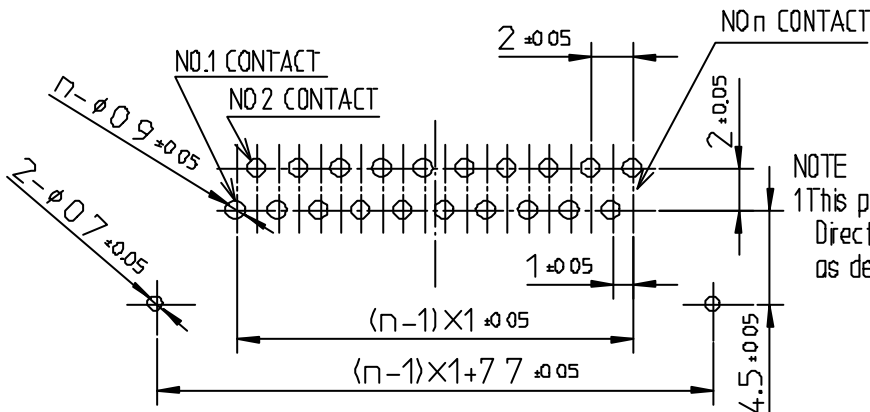


| PT NO | PARTS NAME | MATERIAL | Q'TY | NOTE |
|-------|---------------|--|------|----------------------|
| 1 | HOUSING | GLASS FILLED THERMOPLASTIC RATED(U/L94V-0) | 1 | COLOR BRACK |
| 2 | CONTACT | BRASS | n | PLATING TINLEAD FREE |
| 3 | MOUNTNG PLATE | BRASS | 2 | PLATING TINLEAD FREE |

RECOMMENDED PC BOARD LAYOUT
 THICKNESS : 1.6
 HOLE PATTERN (COMPONENT SIDE)

n.NO. OF CONTACTS
 (10 TO 30 , ONLY EVEN POS)



NOTE
 1 This product meets European Union Directives and other country regulations as described in GS-22-008.

| | | | | | | | |
|-------------|----------------|-----|------------|---------------------------------------|-------------------------------|----------------|---|
| mat'l code | | | | surface ISO 1302 ✓ | tolerance ISO 406 ISO 1101 | projection | product family 590F |
| lfr | ecn no | dr | date | tolerances unless otherwise specified | | | title |
| A | J05-0470 | M.K | Aug 2, 05 | angles | linear | ← → | FLOATING BOARD TO BOARD RECEPTACLE CONNECTOR (LEAD FREE) (Cat No BTFW_R-3RD7LF) |
| B | J07-0021 | M.K | Jan 15, 07 | | | | ±0.3 |
| | | | | dr | K Higuchi | Jan 15, 07 | sheet 1 of 1 size JSA 96636 A4 type Product Customer Drawing |
| | | | | enr | M Koga | Jan 15, 07 | |
| | | | | ctr | K Higuchi | Jan 15, 07 | |
| | | | | appd | M Koga | Jan 15, 07 | |
| sheet index | revision sheet | | | | | | Rev B |

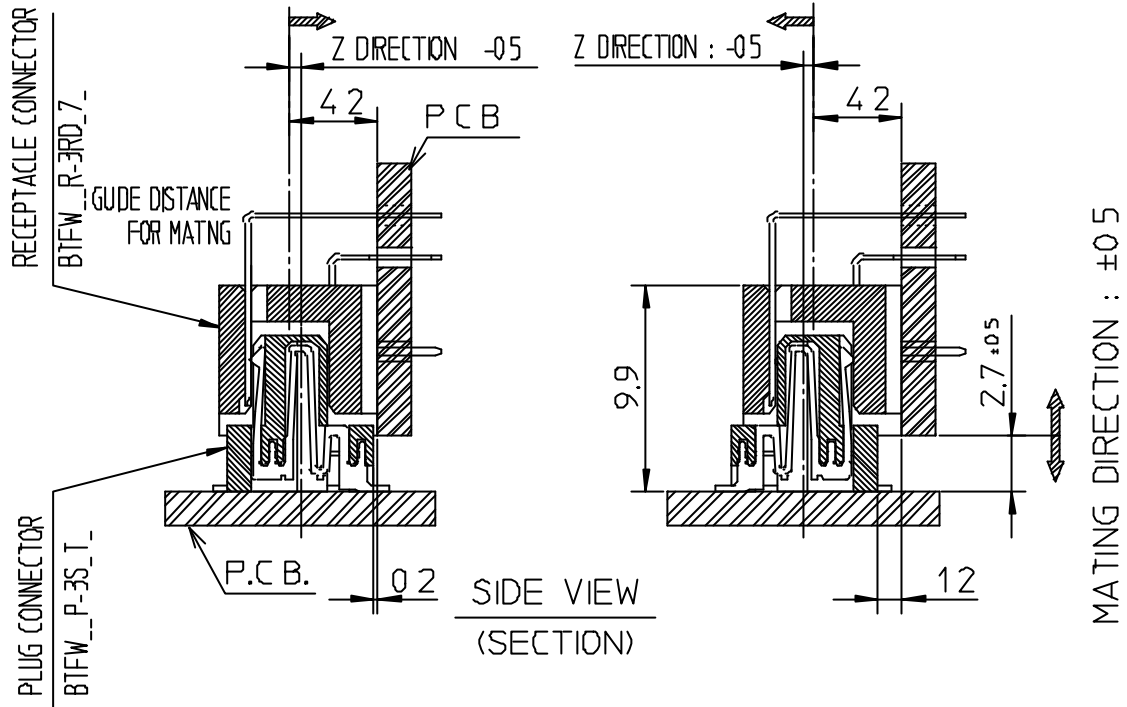


FCJconnect.com

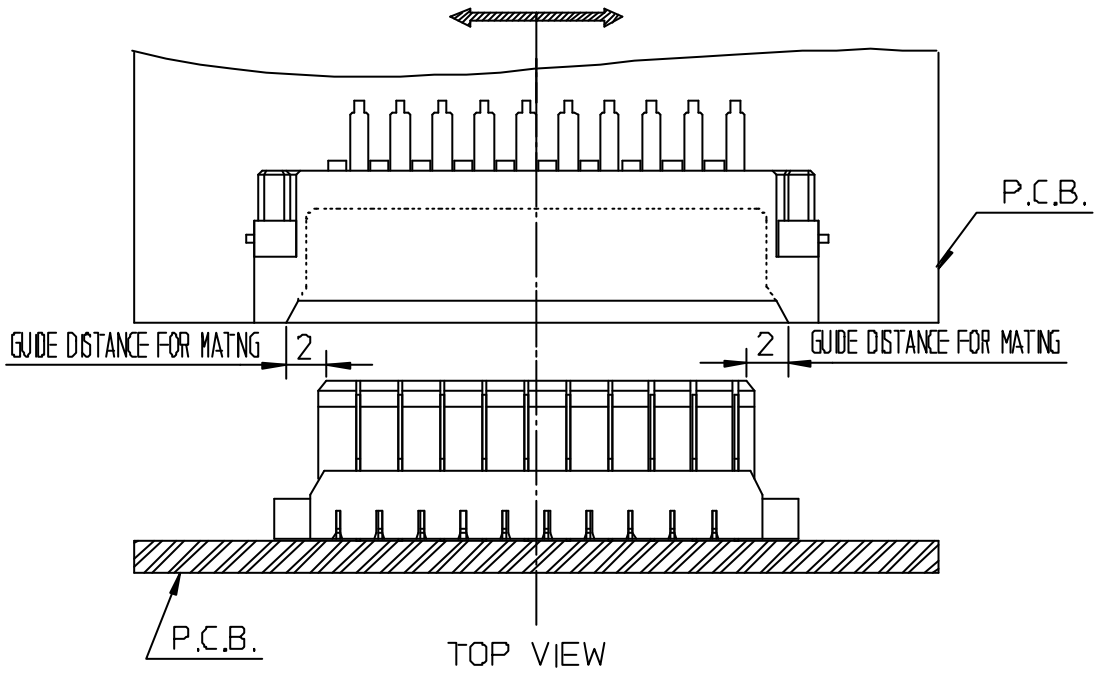
Copyright FCJ

THIS FIGURE SHOW THE CONNECTOR MATNG BY MAKING CENTER AS CRITERIA

FLOATING ALLOWANCE MATING DIRECTION ± 0.5
 PITCH DIRECTION ± 0.8
 Z DIRECTION ± 0.5



PITCH DIRECTION ± 0.8



| | | | | | | | | | |
|-------------|--|--|--|---|--|---------------------------------------|--|---|--|
| mat'l code | | surface <input checked="" type="checkbox"/> ISO 1302 | | tolerance <input checked="" type="checkbox"/> ISO 406 <input type="checkbox"/> ISO 1101 | | projection | | product family 590F | |
| litr | | ecn no | | date | | tolerances unless otherwise specified | | title CROSS SECTION OF MATED CONDITION | |
| AA | | J04-0349 | | H.T Oct,13,04 | | angles linear ± 0.3 | | (CATNo BTFW__P-3S_T_ BTFW__R-3RD_7_) | |
| AB | | J05-0257 | | M.K APRIL 28,05 | | | | scale | |
| AC | | J07-0021 | | M.K Jan15,07 | | | | dwg no sheet 1 of 1 size | |
| | | | | dr K Higuchi Jan15,07 | | | | JSA 95032 A4 | |
| | | | | enr M.Koga Jan15,07 | | | | type Product Customer Drawing | |
| | | | | chr K Higuchi Jan15,07 | | | | | |
| | | | | appd M.Koga Jan15,07 | | | | | |
| sheet index | | revision sheet | | | | | | Rev AC | |



FCIconnect.com

Copyright FCI