

Using the TPS92075 BUCK Converter

The TPS92075EVM is a 14-W maximum, 120-V_{AC} non-isolated dimmable LED driver whose form factor intended for A-15, A-19, A-21, A-23, R-20, R-25, R-27, R-30, R-40, PS-25, PS-30, PS-35, BR-30, BR-38, BR-40, PAR-20, PAR-30, PAR-30L, G-25, G-30, G-40, and other LED bulbs..

Contents

1	Description	2
2	Description	2
	2.1 Typical Applications	2
	2.2 TPS92075 Features	2
3	Electrical Performance Specifications	3
4	Schematic	3
5	Performance Data and Typical Characteristic Curves	4
	5.1 Efficiency	4
	5.2 Line Regulation	5
	5.3 Load Regulation	5
	5.4 Output Ripple	6
	5.5 Turn On Waveform	6
	5.6 Turn Off Waveform	7
	5.7 Dimming – Lutron Rotary Triac Dimmer at One Position	7
	5.8 Dimming – Leviton 6684 Triac Dimmer at Minimum Position	8
	5.9 Thermal Scans	8
	5.10 EMI Scan – 9 LEDs	9
	5.11 Dimmer Testing	9
6	Reference Design, Assembly Drawing, PCB layout, and Bill of Materials	10
	6.1 Reference Design, Assembly Drawing and PCB Layout	10
	6.2 Bill of Materials	11
Appendix A	Table Data	12
Appendix B	Table Data – Dimmer Testing	14
Appendix C	EVM	17

List of Figures

1	TPS92075 Buck EVM Schematic	3
2	Dimming Wiring Diagram	4
3	TPS92075 Buck EVM Efficiency	4
4	TPS92075 Buck EVM Line Regulation	5
5	TPS92075 Buck EVM Load Regulation	5
6	TPS92075 Buck EVM Typical Operation Waveforms, Non-Dimming	6
7	TPS92075 Buck EVM Start-Up	6
8	TPS92075 Buck EVM Output Ripple	7
9	Lutron Leading-Edge Rotary Dimmer, Output = 150 mA, V _{LED} = 26 V	7
10	Leviton Leading-Edge 6684, Output = 20 mA, V _{LED} = 26 V	8
11	Thermal Scan 1	8
12	Thermal Scan 2	8
13	Conducted EMI Scan, 9 LEDs	9
14	Typical Top Overall View	10

15	TPS92075 Buck EVM Top Layer Assembly Drawing (Top view)	10
16	TPS92075 Buck EVM Bottom Assembly Drawing (Bottom view)	10
17	EVM Board and LED Bulb.....	17

List of Tables

1	TPS92075 Buck REF DESIGN-001 Electrical Performance Specifications	3
2	Dimmer Testing	9
3	Bill of Materials.....	11

1 Description

The TPS92075EVM is a 14-W maximum, 120-VAC non-isolated dimmable LED driver whose form factor is intended for A-15, A-19, A-21, A-23, R-20, R-25, R-27, R-30, R-40, PS-25, PS-30, PS-35, BR-30, BR-38, BR-40, PAR-20, PAR-30, PAR-30L, G-25, G-30, G-40, and other LED bulbs.

2 Description

The TPS92075EVM implements a dimming solution using the TPS92075 integrated circuit from Texas Instruments (TI). The TPS92075 is a hybrid power-factor controller with a built-in phase dimming decoder. Line cycles are analyzed continuously by an internal low-power digital controller for shape and symmetry. An analog current reference is then generated and used by the power converter stage to regulate the output current. The analog reference is manipulated using control algorithms developed to optimize dimmer compatibility, power factor, and THD.

Using constant off-time control, the solution achieves a low part count, high efficiency and inherently provides variation in the switching frequency. This variation creates an emulated spread-spectrum effect easing the converters EMI signature and allowing a smaller input filter.

2.1 Typical Applications

Triac-compatible LED lighting, including forward- and reverse-phase compatibility.

2.2 TPS92075 Features

- Controlled reference derived Power Factor Correction (PFC)
- Integrated digital phase angle decoder
- Digital PLL with active 50 Hz, 60 Hz sync
- Phase-symmetry balancing
- Leading and trailing edge dimmer compatibility
- Dimming implemented via an analog reference
- Smooth dimming transitions
- Overvoltage protection
- Output short-circuit protection
- Low BOM cost and small PCB footprint
- Patent pending digital architecture
- 6-pin SOT and 8-pin SOIC available

3 Electrical Performance Specifications

Table 1 presents the electrical performance specifications of the TPS92075 EVM.

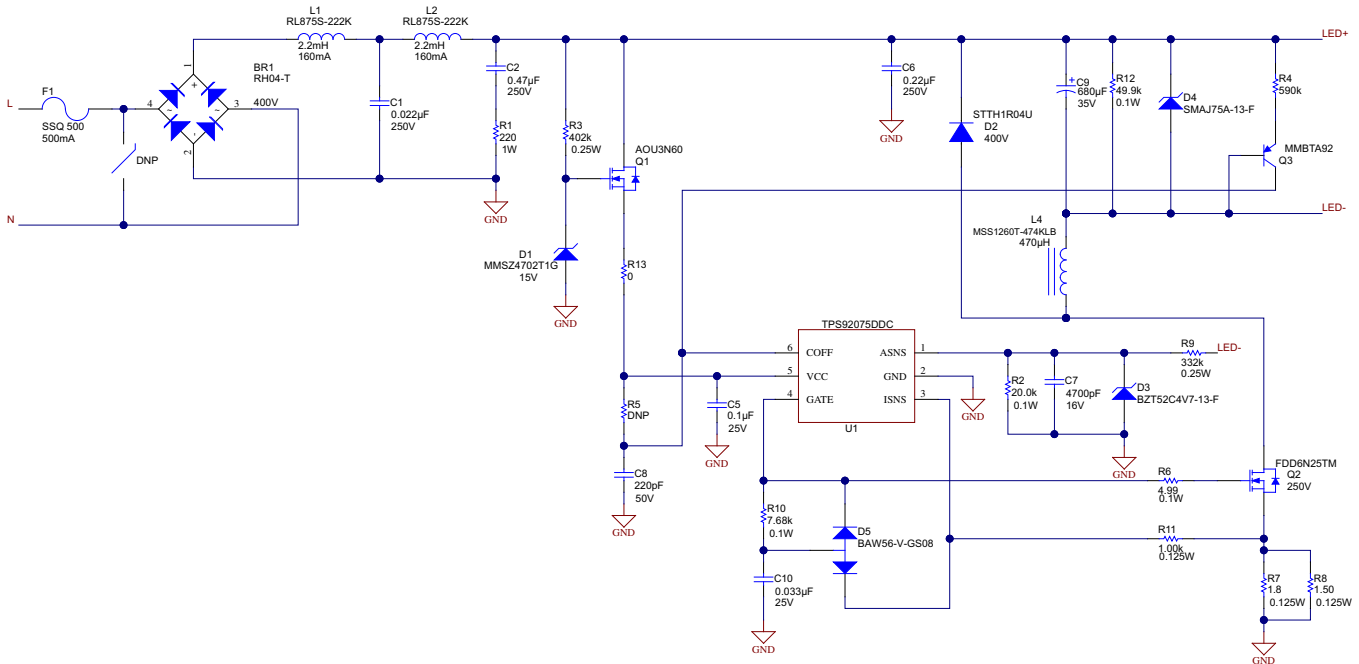
Table 1. TPS92075 Buck REF DESIGN-001 Electrical Performance Specifications⁽¹⁾

Parameter	Test Conditions	MIN	TYP	MAX	Units
Input Characteristics					
Voltage range		90	120	135	V
Maximum Input current				0.140	A
Output Characteristics					
Output voltage, V _{OUT}	< 15 V with modification	15		35	V
Output voltage regulation	Line Regulation: Input voltage = 90 to 135		±7		%
	Line Regulation: Input voltage = 100 to 135		±5		%
	Load Regulation: 25- to 30-V change		±1.5		%
	120-Hz LED Ripple, Typical		300		mApp
Systems Characteristics					
Switching frequency			90		kHz
Peak efficiency			88.1		%
Operating temperature			25	125	°C
Solution Volume			17		cm ³
Solution Volume per Watt	Based on 14 W maximum		1.2		W/cm ³

⁽¹⁾ All performance results are for this design configuration only. Many opportunities exist to balance one performance factor for another in this design.

4 Schematic

Figure 1 is the EVM schematic, and Figure 2 shows suggested dimming connections.



For VLED < 15 V, replace R13 with a diode (DFLS1200 or similar) and modify C5 ≥ 22 μF.

Figure 1. TPS92075 Buck EVM Schematic

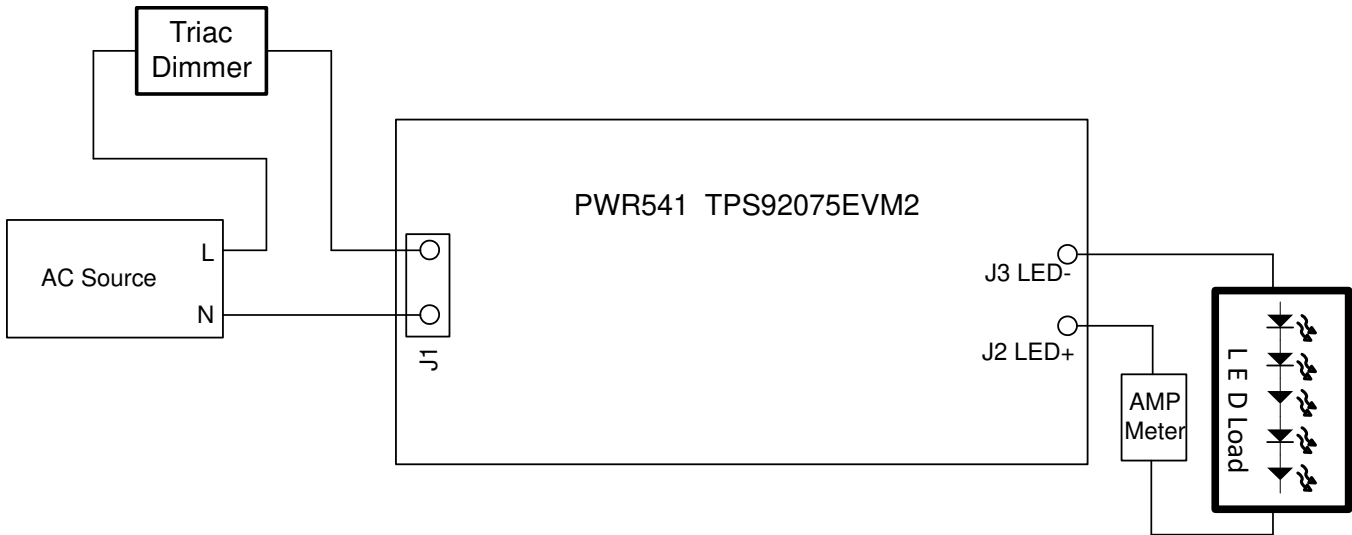


Figure 2. Dimming Wiring Diagram

5 Performance Data and Typical Characteristic Curves

Figure 3 through Figure 12 present typical performance curves for TPS92075 Buck EVM.

5.1 Efficiency

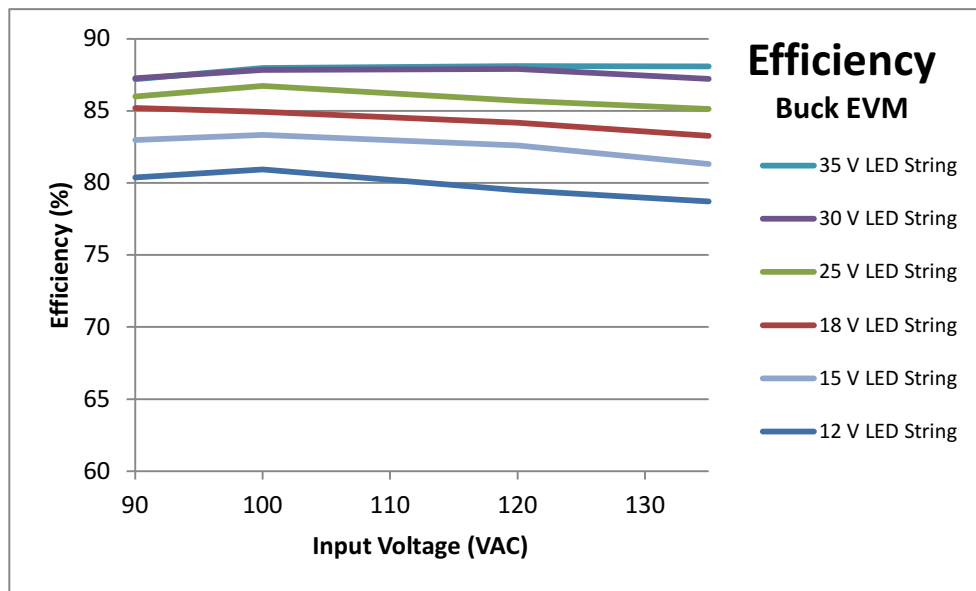


Figure 3. TPS92075 Buck EVM Efficiency

5.2 Line Regulation

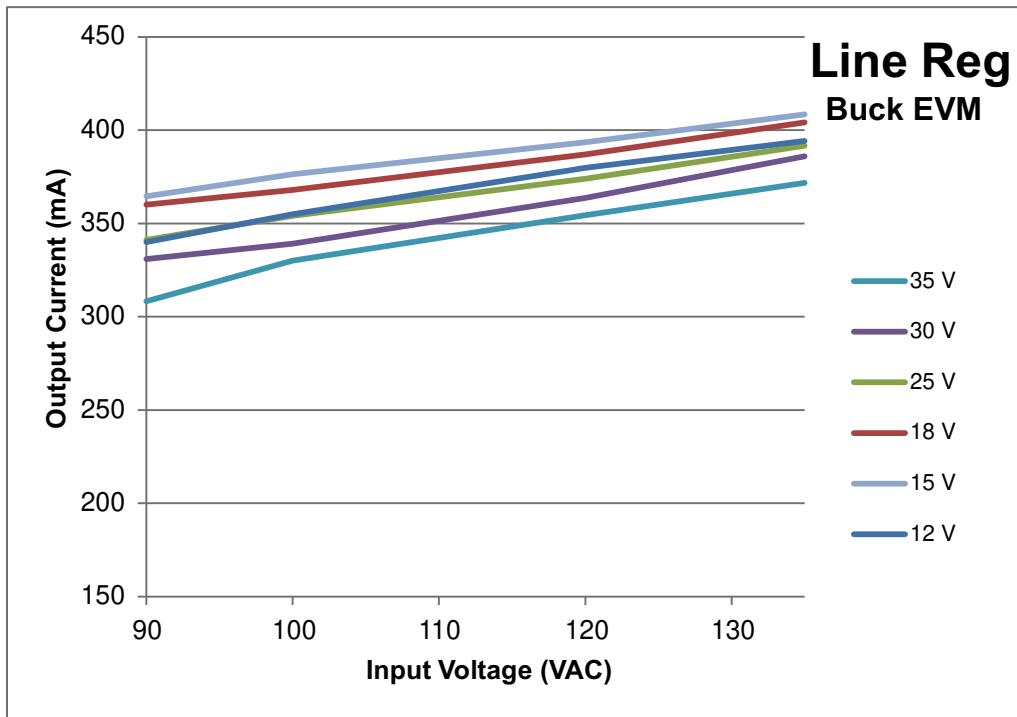


Figure 4. TPS92075 Buck EVM Line Regulation

5.3 Load Regulation

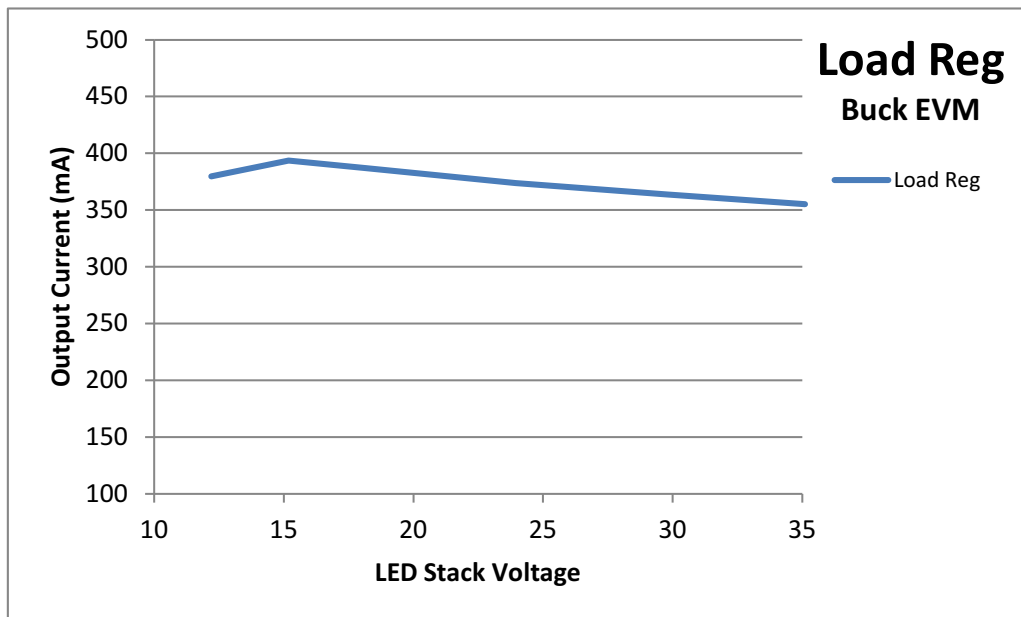
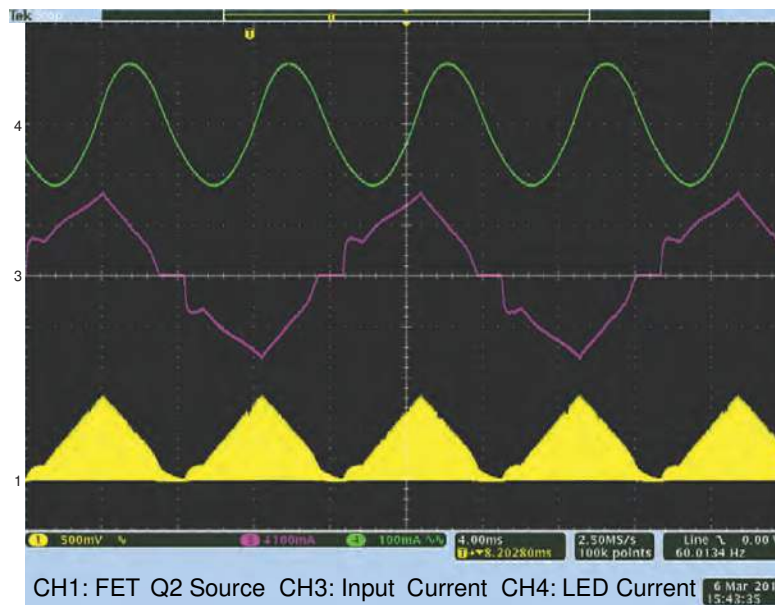


Figure 5. TPS92075 Buck EVM Load Regulation

5.4 Output Ripple



Output Ripple (V_{OUT} : 26.2 V, I_{OUT} 380 mA, THD 13.8%)

Figure 6. TPS92075 Buck EVM Typical Operation Waveforms, Non-Dimming

5.5 Turn On Waveform

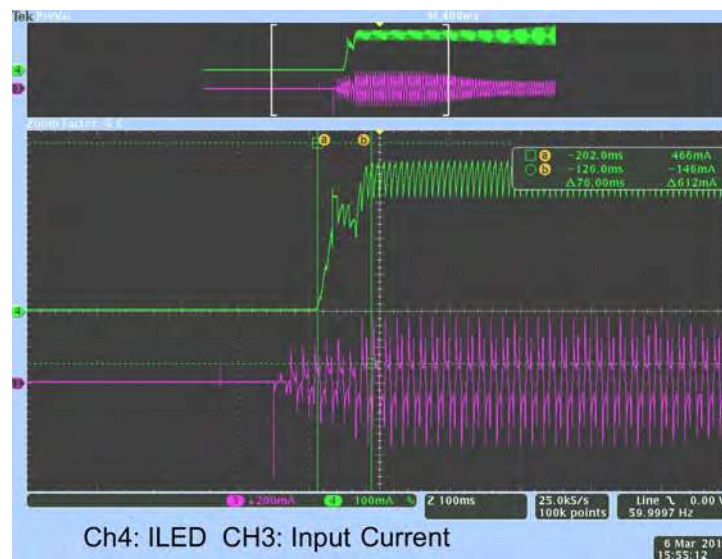


Figure 7. TPS92075 Buck EVM Start-Up

5.6 Turn Off Waveform

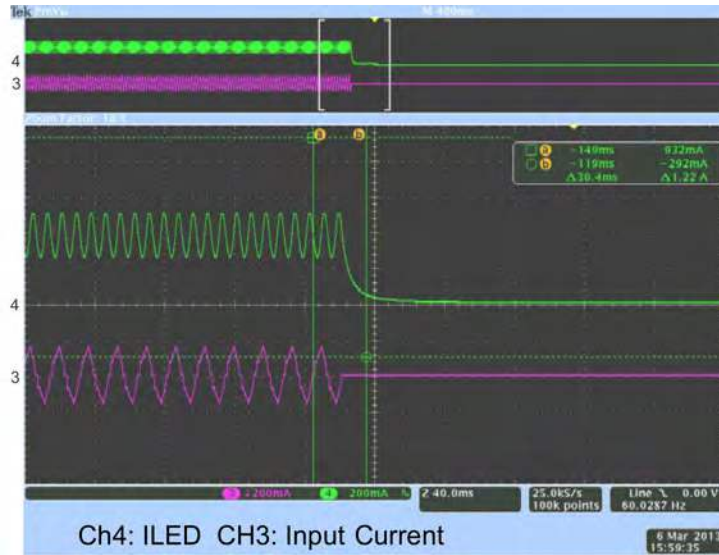


Figure 8. TPS92075 Buck EVM Output Ripple

5.7 Dimming – Lutron Rotary Triac Dimmer at One Position

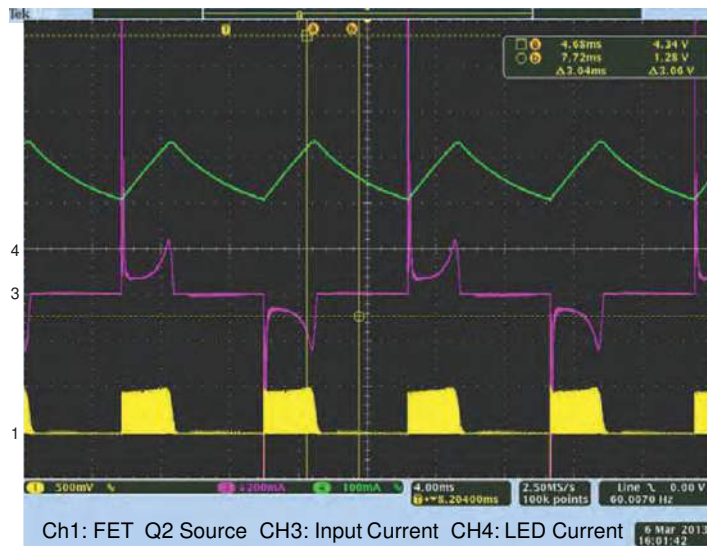


Figure 9. Lutron Leading-Edge Rotary Dimmer, Output = 150 mA, $V_{LED} = 26 V$

5.8 Dimming – Leviton 6684 Triac Dimmer at Minimum Position

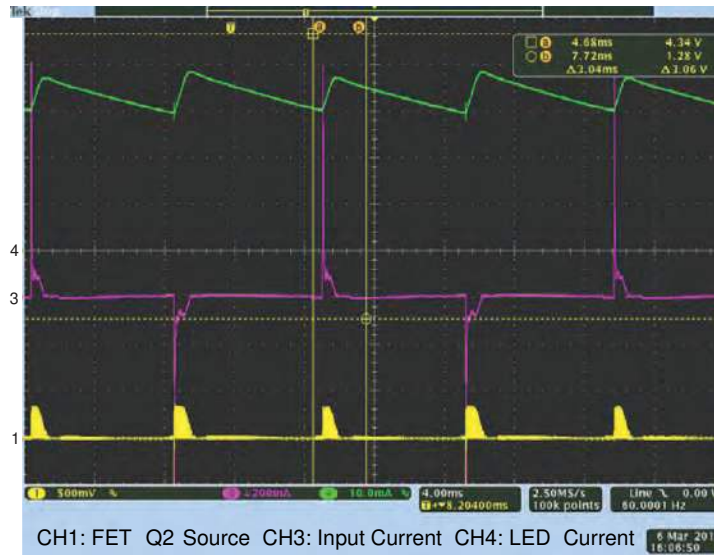
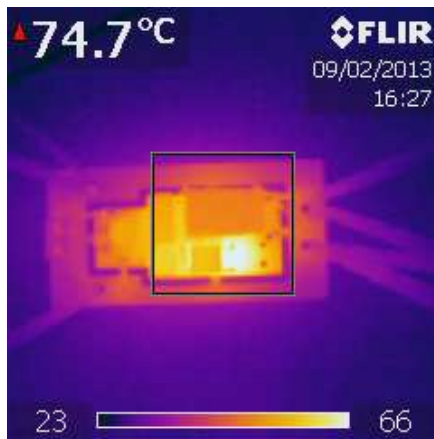


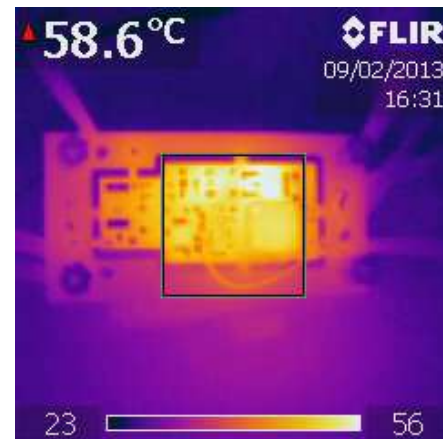
Figure 10. Leviton Leading-Edge 6684, Output = 20 mA, $V_{LED} = 26 V$

5.9 Thermal Scans



20-Minutes Soak, 9-LED Load,
Top View,
Hottest Point in Box: 74.7°C

Figure 11. Thermal Scan 1



20-Minutes Soak, 9-LED Load,
Bottom View,
Hottest Point in Box: 58.6°C

Figure 12. Thermal Scan 2

5.10 EMI Scan – 9 LEDs

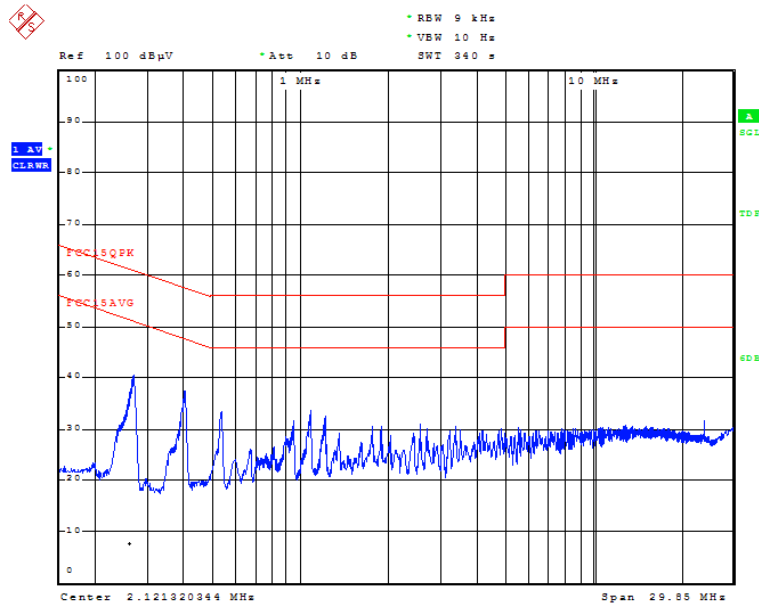


Figure 13. Conducted EMI Scan, 9 LEDs

5.11 Dimmer Testing

Table 2. Dimmer Testing

Make	Model	Flicker-Free	NEMA SSL6 Curve
Decora	RP106	Y	Y
Decora	6631	Y	Y
Leviton	6683	Y	Y
DIVA	DV-600PR-LA	Y	Y
Diva	DVELV-303P	Y	Y
Leviton	6161	Y	Y
Abella	AB-600	Y	Y
Skylark	S-600P	Y	Y
Leviton Trimatron	6684	Y	Y
Lyneo Lx	LX-600-PL	Y	Y
Lyneo Lx	LXLV-600PL-WH	Y	Y
Skylark	S-600	Y	Y
Ariadni	AYLV-600P	Y	Y
Ariadni	AY-600PNL	Y	Y

See [Appendix A](#) for a complete summary of results by individual dimmer.

6 Reference Design, Assembly Drawing, PCB layout, and Bill of Materials

6.1 Reference Design, Assembly Drawing and PCB Layout

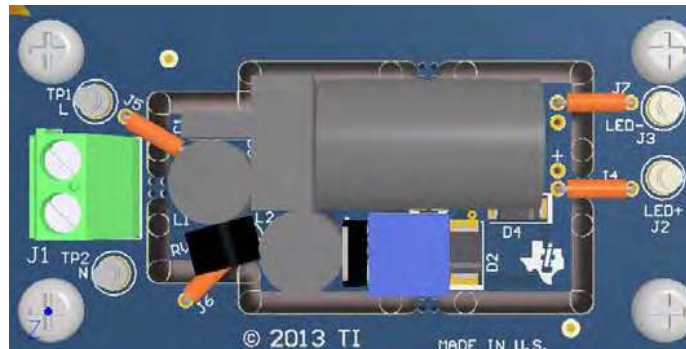


Figure 14. Typical Top Overall View

Figure 15 and Figure 16 show the design of the TPS92075 Buck EVM printed-circuit board.

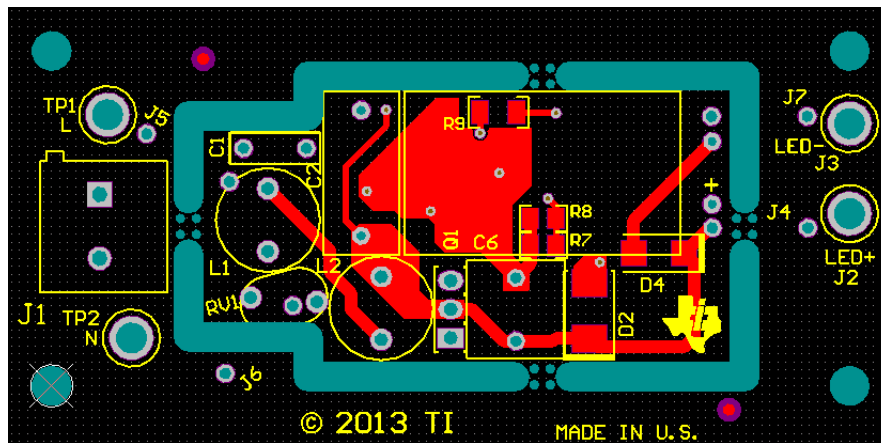


Figure 15. TPS92075 Buck EVM Top Layer Assembly Drawing (Top view)

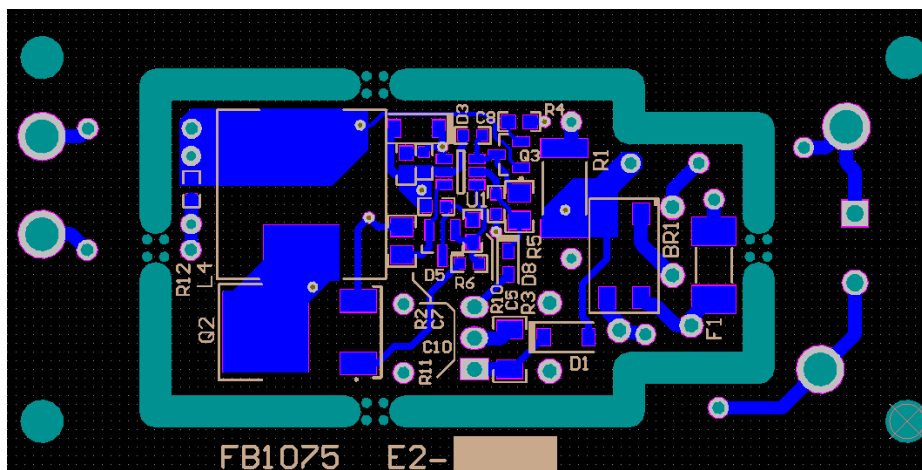


Figure 16. TPS92075 Buck EVM Bottom Assembly Drawing (Bottom view)

6.2 Bill of Materials

Table 3 is the BOM for this EVM.

Table 3. Bill of Materials

Ref	Qty	Description	Manufacturer	PartNumber
BR1	1	Diode, Switching-Bridge, 400V, 0.5A, MiniDip	Diodes Inc	RH04-T
C1	1	Cap, Film, 0.022uF, 250VDC, 5%, Radial	EPCOS Inc	B32529C3223J
C2	1	Cap, Film, 0.47uF, 250VDC, 10%, Radial	EPCOS Inc	B32521C3474K
C5	1	CAP, CERM, 0.1uF, 25V, +/-10%, X7R, 0603	TDK	C1608X7R1E104K
C6	1	CAP, Film, 0.22uF, 250VDC, 5%, Radial	EPCOS Inc	B32529D3224J
C7	1	CAP, CERM, 4700pF, 16V, X7R, 10%, 0603	Kemet	C0603C472K4RACTU
C8	1	CAP, CERM, 220pF, 50V, +/-5%, COG/NPO, 0603	MuRata	GRM1885C1H221JA01D
C9	1	CAP, Alum, 680uF, 35V, +/-20%, Radial	Panasonic	EEU-FR1V681
C10	1	CAP, CERM, 0.033uF, 25V, X7R, 20%, 0603	TDK Corporation	C1608X7R1E333M
D1	1	Diode, Zener, 15V, 500mW, SOD-123	ON Semiconductor	MMSZ4702T1G
D2	1	Diode, Ultra Fast, 400V, 1A, SMB	STMicroelectronics	STTH1R04U
D3	1	Diode, Zener, 4.7V, 500mW, SOD-123	Diodes Inc	BZT52C4V7-13-F
D4	1	Diode, TVS, 75V, 400W, SMA	Diodes Inc	SMAJ75A-13-F
D5	1	Diode, Sw Dual, 75V, 350mW, SOT23	Vishay	BAW56-V-GS08
F1	1	Fuse, Fast SSQ, 500mA, 125V, Radial	Bel Fuse Inc	SSQ 500
L1, L2	2	Inductor, 2.2mH, 0.16A, 7.56 ohm, Radial	Bourns Inc.	RL875S-222K
L4	1	Inductor, 470uH, 0.96A, 0.72 ohm, SMD	Coilcraft	MSS1260T-474KLB
Q1	1	MOSFET, N-CH, 600V, 2.5A, IPAK	A & O Semi Inc	AOU3N60
Q2	1	MOSFET, N-CH, 250V, 4.4A, DPAK	Fairchild	FDD6N25TM
Q3	1	Transistor, PNP, 300V, 0.2A, SOT-23	Fairchild	MMBTA92
R1	1	RES, 220 ohm, 5%, 1W, 2512	Vishay	CRCW2512220RJNEG
R2	1	RES, 20.0k ohm, 1%, 0.1W, 0603	Vishay-Dale	CRCW060320K0FKEA
R3	1	RES, 402k ohm, 1%, 0.25W, 1206	Vishay-Dale	CRCW1206402KFKEA
R4	1	RES, 590k ohm, 1%, 0.1W, 0603	Vishay-Dale	CRCW0603590KFKEA
R6	1	RES, 4.99 ohm, 1%, 0.1W, 0603	Vishay-Dale	CRCW06034R99FKEA
R7	1	RES, 1.8 ohm, 5%, 0.125W, 0805	Vishay-Dale	CRCW08051R80JNEA
R8	1	RES, 1.50 ohm, 1%, 0.125W, 0805	Vishay-Dale	CRCW08051R50FKEA
R9	1	RES, 332k ohm, 1%, 0.25W, 1206	Vishay-Dale	CRCW1206332KFKEA
R10	1	RES, 7.68k ohm, 1%, 0.1W, 0603	Vishay-Dale	CRCW06037K68FKEA
R11	1	RES, 1.00k ohm, 1%, 0.125W, 0805	Vishay-Dale	CRCW08051K00FKEA
R12	1	RES, 49.9k ohm, 1%, 0.1W, 0603	Vishay-Dale	CRCW060349K9FKEA
R13	1	RES, 0 ohm, 5%, 0.1W, 0603	Vishay-Dale	CRCW06030000Z0EA
U1	1	LED Driver	Texas Instruments	TPS92075DDC
Total	34			
Hardware for EVM				
H1, H2, H3, H4	4	Machine Screw, Round, #4-40 x 1/4, Nylon, Philips panhead	B&F Fastener Supply	NY PMS 440 0025 PH
H5, H6, H7, H8	4	Standoff, Hex, 0.5"L #4-40 Nylon	Keystone	1902C
J1	1	Conn Term Block, 2POS, 5.08mm PCB	Phoenix Contact	1715721
J2, J3, TP1, TP2	4	Terminal, Turret, TH, Double	Keystone	1502-2
J4, J5, J6, J7	4	Jumper Wire, 300mil spacing, Orange, pkg of 200	3M	923345-03-C
Not Populated				
R5	0	RES, 280k ohm, 1%, 0.125W, 0805	Vishay-Dale	CRCW0805280KFKEA
RV1	0	Varistor, 130VAC, 170VDC, 6J, 5mm, Radial	Panasonic Electronic Components	ERZ-V05D201

Appendix A Table Data

P_{OUT} Eff = Efficiency Calculated using $P_{OUT} = P_{OUT}$ reading on power meter

Calc P_{OUT} Eff = Efficiency Calculated using $P_{OUT} = V_{OUT} \times I_{OUT}$

Test Data ~12 V LED Load											
Input Measurement					Load Measurement				Calculation		
Vin (Vrms)	Iin (mA rms)	Pin (W)	PF	%ATHD	Vout (Vdc)	Iout (mA dc)	Pout (W)	Pout Eff (%)	Pout Calc (W)	Calc Pout Eff (%)	Loss (W)
90	0.059	5.2	0.974	18.77	12.1	340	4.18	80.4	4.1	79.1	1.02
100	0.056	5.4	0.967	18.03	12.1	355	4.37	80.9	4.3	79.5	1.03
120	0.052	5.9	0.944	19.28	12.2	379.8	4.69	79.5	4.6	78.5	1.21
135	0.05	6.2	0.919	22.22	12.2	394.2	4.88	78.7	4.8	77.6	1.32
Test Data ~15 V LED Load											
Input Measurement					Load Measurement				Calculation		
Vin (Vrms)	Iin (mA rms)	Pin (W)	PF	%ATHD	Vout (Vdc)	Iout (mA dc)	Pout (W)	Pout Eff (%)	Pout Calc (W)	Calc Pout Eff (%)	Loss (W)
90	0.075	6.7	0.987	15.66	15.1	364.6	5.56	83.0	5.5	82.2	1.14
100	0.07	6.9	0.986	13.8	15.1	376.3	5.75	83.3	5.7	82.3	1.15
120	0.063	7.3	0.969	15.83	15.18	393.5	6.03	82.6	6.0	81.8	1.27
135	0.06	7.7	0.951	17.53	15.2	408.5	6.26	81.3	6.2	80.6	1.44
Test Data ~18 V LED Load											
Input Measurement					Load Measurement				Calculation		
Vin (Vrms)	Iin (mA rms)	Pin (W)	PF	%ATHD	Vout (Vdc)	Iout (mA dc)	Pout Meas (W)	Pout Eff (%)	Pout Calc (W)	Calc Pout Eff (%)	Loss (W)
90	0.087	7.7	0.987	15.92	18	360	6.56	85.2	6.5	84.2	1.14
100	0.08	7.9	0.987	14.9	18.1	368	6.71	84.9	6.7	84.3	1.19
120	0.072	8.4	0.98	13.94	18.1	387	7.07	84.2	7.0	83.4	1.33
135	0.068	8.9	0.969	15.18	18.2	404.1	7.41	83.3	7.4	82.6	1.49
Test Data ~25 V LED Load											
Input Measurement					Load Measurement				Calculation		
Vin (Vrms)	Iin (mA rms)	Pin (W)	PF	%THD	Vout (Vdc)	Iout (mA dc)	Pout Meas (W)	Pout Eff (%)	Pout Calc (W)	Calc Pout Eff (%)	Loss (W)
90	0.107	9.5	0.983	18.71	23.8	341.2	8.17	86.0	8.1	85.5	1.33
100	0.1	9.8	0.986	16.84	23.9	354	8.5	86.7	8.5	86.3	1.3
120	0.088	10.5	0.987	13.62	23.94	373.9	9	85.7	9.0	85.2	1.5
135	0.083	11.1	0.983	12.87	24	391.6	9.45	85.1	9.4	84.7	1.65
Test Data ~30 V LED Load											
Input Measurement					Load Measurement				Calculation		
Vin (Vrms)	Iin (mA rms)	Pin (W)	PF	%THD	Vout (Vdc)	Iout (mA dc)	Pout Meas (W)	Pout Eff (%)	Pout Calc (W)	Calc Pout Eff (%)	Loss (W)
90	0.128	11.3	0.973	23.45	29.7	330.9	9.86	87.3	9.8	87.0	1.44
100	0.118	11.5	0.979	21.04	29.7	339.2	10.1	87.8	10.1	87.6	1.4
120	0.105	12.4	0.986	16.26	29.8	363.6	10.9	87.9	10.8	87.4	1.5
135	0.1	13.3	0.989	13.6	29.9	386	11.6	87.2	11.5	86.8	1.7

Test Data ~35 V LED Load											
Input Measurement					Load Measurement			Calculation			
Vin (Vrms)	Iin (mA _{rms})	Pin (W)	PF	%THD	Vout (V _{dc})	Iout (mA _{dc})	Pout Meas (W)	Pout Eff (%)	Pout Calc (W)	Calc Pout Eff (%)	Loss (W)
90	0.143	12.5	0.962	28.16	35.3	308.2	10.9	87.2	10.9	87.0	1.6
100	0.136	13.3	0.972	23.7	35.4	330	11.7	88.0	11.7	87.8	1.6
120	0.122	14.3	0.984	17.96	35.5	354.4	12.6	88.1	12.6	88.0	1.7
135	0.113	15.1	0.989	14.6	35.6	371.7	13.3	88.1	13.2	87.6	1.8

Appendix B Table Data – Dimmer Testing

7 LED Load						
Dimmer: Lutron		NonDim Max-->		381	Maestro Duo	MAW-600H-LA
Input Voltage	Output Current	% Output Current	Input Power	Output Voltage		
25.8	27.4	7.19	0.71	18.9		
50.6	118.4	31.08	3.35	19.9		
69.7	163.1	42.81	4.7	20.1		
89.4	213.8	56.12	6.02	20.4		
112.3	300	78.74	7.82	20.8		
Dimmer: L*		NonDim Max-->		381	Decora	RP106
Input Voltage	Output Current	% Output Current	Input Power	Output Voltage		
17.9	8.9	2.34	0.048	17.5		
50	76.4	20.05	2.33	19.5		
70.7	129.6	34.02	3.89	19.9		
90.5	204.5	53.67	5.8	20.3		
118.5	350	91.86	8.74	20.9		
Dimmer: L*		NonDim Max-->		381	Skylark Contour	CTCL-153PDH
Input Voltage	Output Current	% Output Current	Input Power	Output Voltage		
25.4	19.2	5.04	0.586	18.7		
50.6	107.1	28.11	3.07	19.6		
70.7	153.4	40.26	4.47	20.1		
90	202	53.02	5.76	20.3		
111.1	280	73.49	7.38	20.7		
Dimmer: Leviton		NonDim Max-->		381	Decora	6631
Input Voltage	Output Current	% Output Current	Input Power	Output Voltage		
18.80	3.35	0.88	0.10	17.80		
50.30	107.50	28.22	3.07	19.80		
70.40	153.40	40.26	4.47	20.10		
90.60	205.60	53.96	5.83	20.40		
114.50	302.30	79.34	7.77	20.80		
Dimmer: Leviton		NonDim Max-->		381	Leviton	6683
Input Voltage	Output Current	% Output Current	Input Power	Output Voltage		
17.40	0.28	0.07	0.03	17.10		
50.50	106.30	27.90	3.06	19.80		
70.20	151.90	39.87	4.44	20.10		
90.60	204.40	53.65	5.81	20.40		
118.80	341.70	89.69	11.70	29.70		
Dimmer: Lutron		NonDim Max-->		381	DIVA	DV-600PR-LA
Input Voltage	Output Current	% Output Current	Input Power	Output Voltage		
28.00	32.20	8.45	0.91	19.00		
50.30	108.80	28.56	3.11	19.80		
70.10	154.10	40.45	4.47	20.10		
90.10	205.10	53.83	5.83	20.40		
112.60	290.00	76.12	7.54	20.60		

Dimmer: Lutron		NonDim Max-->		381	Divia	DVELV-303P
Input Voltage	Output Current	% Output Current	Input Power	Output Voltage		
31.10	49.70	13.04	1.22	19.20		
50.00	124.20	32.60	3.07	19.90		
70.10	180.70	47.43	4.47	20.30		
90.40	236.80	62.15	5.88	20.50		
112.10	303.00	79.5	3 7.53	20.80		
Dimmer: Leviton		NonDim Max-->		381	Leviton	6161
Input Voltage	Output Current	% Output Current	Input Power	Output Voltage		
22.87	21.80	5.72	0.50	18.60		
38.40	74.00	19.42	2.06	19.50		
53.20	121.90	31.99	3.47	19.90		
83.00	192.80	50.60	5.51	20.30		
114.40	306.10	80.34	7.87	20.80		
Dimmer: Lutron		NonDim Max-->		381	Abella	AB-600
Input Voltage	Output Current	% Output Current	Input Power	Output Voltage		
30.10	42.30	11.10	1.07	19.10		
46.70	113.20	29.71	3.15	19.80		
70.10	169.80	44.57	4.86	20.20		
91.60	226.70	59.50	6.37	20.50		
110.60	298.00	78.22	7.88	20.80		
Dimmer: Lutron		NonDim Max-->		381	Skylark	S-600P
Input Voltage	Output Current	% Output Current	Input Power	Output Voltage		
25.00	2.30	0.60	0.12	25.40		
50.50	90.40	23.73	3.36	27.90		
70.80	143.80	37.74	5.42	28.40		
90.20	194.60	51.08	7.22	28.90		
111.70	275.20	72.23	9.70	29.40		
Dimmer: Leviton		NonDim Max-->		381	Trimatron	6684
Input Voltage	Output Current	% Output Current	Input Power	Output Voltage		
27.40	10.70	2.81	0.42	26.20		
50.40	88.00	23.10	3.28	27.80		
70.40	142.20	37.32	5.35	28.40		
90.40	194.60	51.08	7.24	28.80		
118.70	339.80	89.19	11.60	29.70		
Dimmer: Lutron		NonDim Max-->		381	Lyneo Lx	LX-600-PL
Input Voltage	Output Current	% Output Current	Input Power	Output Voltage		
36.20	28.70	7.53	1.13	26.80		
50.40	86.50	22.70	3.21	27.80		
70.00	141.50	37.14	5.30	28.40		
90.70	196.00	51.44	7.25	28.80		
114.70	294.40	77.27	10.22	29.40		

Dimmer: Lutron		NonDim Max-->		381	Lyneo Lx	LXLV-600PL-WH
Input Voltage	Output Current	% Output Current	Input Power	Output Voltage		
26.401	8.20	2.15	0.31	26.10		
50.70	92.10	24.17	3.42	27.90		
70.20	143.20	37.59	5.38	28.40		
90.00	195.10	51.21	7.23	28.80		
112.00	277.80	72.91	9.76	29.40		
Dimmer: Lutron		NonDim Max-->		381	Skylark	S-600
Input Voltage	Output Current	% Output Current	Input Power	Output Voltage		
23.70	0.14	0.04	43.10	24.20		
50.10	86.00	22.57	3.20	27.80		
70.10	141.00	37.01	5.29	28.40		
90.40	194.20	50.97	7.20	28.80		
110.10	266.50	69.95	9.43	29.30		
Dimmer: Lutron		NonDim Max-->		381	Ariadni	AYLV-600P
Input Voltage	Output Current	% Output Current	Input Power	Output Voltage		
25.70	5.93	1.56	0.23	26.00		
50.40	89.30	23.44	3.33	27.90		
70.00	142.70	37.45	5.38	28.40		
90.20	196.00	51.44	7.28	28.90		
111.70	276.10	72.47	9.73	29.40		
Dimmer: Lutron		NonDim Max-->		381	Ariadni	AY-600PNL
Input Voltage	Output Current	% Output Current	Input Power	Output Voltage		
29.207	14.10	3.70	0.55	26.40		
50.00	88.20	23.15	3.29	27.90		
70.80	144.70	37.98	5.44	28.50		
90.80	197.20	51.76	7.33	28.90		
113.00	283.00	74.28	9.97	29.50		

Appendix C EVM

Figure 17 illustrates the EVM board and an LED light as a size reference.



Figure 17. EVM Board and LED Bulb

EVALUATION BOARD/KIT/MODULE (EVM) ADDITIONAL TERMS

Texas Instruments (TI) provides the enclosed Evaluation Board/Kit/Module (EVM) under the following conditions:

The user assumes all responsibility and liability for proper and safe handling of the goods. Further, the user indemnifies TI from all claims arising from the handling or use of the goods.

Should this evaluation board/kit not meet the specifications indicated in the User's Guide, the board/kit may be returned within 30 days from the date of delivery for a full refund. THE FOREGOING LIMITED WARRANTY IS THE EXCLUSIVE WARRANTY MADE BY SELLER TO BUYER AND IS IN LIEU OF ALL OTHER WARRANTIES, EXPRESSED, IMPLIED, OR STATUTORY, INCLUDING ANY WARRANTY OF MERCHANTABILITY OR FITNESS FOR ANY PARTICULAR PURPOSE. EXCEPT TO THE EXTENT OF THE INDEMNITY SET FORTH ABOVE, NEITHER PARTY SHALL BE LIABLE TO THE OTHER FOR ANY INDIRECT, SPECIAL, INCIDENTAL, OR CONSEQUENTIAL DAMAGES.

Please read the User's Guide and, specifically, the Warnings and Restrictions notice in the User's Guide prior to handling the product. This notice contains important safety information about temperatures and voltages. For additional information on TI's environmental and/or safety programs, please visit www.ti.com/esh or contact TI.

No license is granted under any patent right or other intellectual property right of TI covering or relating to any machine, process, or combination in which such TI products or services might be or are used. TI currently deals with a variety of customers for products, and therefore our arrangement with the user is not exclusive. TI assumes no liability for applications assistance, customer product design, software performance, or infringement of patents or services described herein.

REGULATORY COMPLIANCE INFORMATION

As noted in the EVM User's Guide and/or EVM itself, this EVM and/or accompanying hardware may or may not be subject to the Federal Communications Commission (FCC) and Industry Canada (IC) rules.

For EVMs **not** subject to the above rules, this evaluation board/kit/module is intended for use for ENGINEERING DEVELOPMENT, DEMONSTRATION OR EVALUATION PURPOSES ONLY and is not considered by TI to be a finished end product fit for general consumer use. It generates, uses, and can radiate radio frequency energy and has not been tested for compliance with the limits of computing devices pursuant to part 15 of FCC or ICES-003 rules, which are designed to provide reasonable protection against radio frequency interference. Operation of the equipment may cause interference with radio communications, in which case the user at his own expense will be required to take whatever measures may be required to correct this interference.

General Statement for EVMs including a radio

User Power/Frequency Use Obligations: This radio is intended for development/professional use only in legally allocated frequency and power limits. Any use of radio frequencies and/or power availability of this EVM and its development application(s) must comply with local laws governing radio spectrum allocation and power limits for this evaluation module. It is the user's sole responsibility to only operate this radio in legally acceptable frequency space and within legally mandated power limitations. Any exceptions to this are strictly prohibited and unauthorized by Texas Instruments unless user has obtained appropriate experimental/development licenses from local regulatory authorities, which is responsibility of user including its acceptable authorization.

For EVMs annotated as FCC – FEDERAL COMMUNICATIONS COMMISSION Part 15 Compliant

Caution

This device complies with part 15 of the FCC Rules. Operation is subject to the following two conditions: (1) This device may not cause harmful interference, and (2) this device must accept any interference received, including interference that may cause undesired operation.

Changes or modifications not expressly approved by the party responsible for compliance could void the user's authority to operate the equipment.

FCC Interference Statement for Class A EVM devices

This equipment has been tested and found to comply with the limits for a Class A digital device, pursuant to part 15 of the FCC Rules. These limits are designed to provide reasonable protection against harmful interference when the equipment is operated in a commercial environment. This equipment generates, uses, and can radiate radio frequency energy and, if not installed and used in accordance with the instruction manual, may cause harmful interference to radio communications. Operation of this equipment in a residential area is likely to cause harmful interference in which case the user will be required to correct the interference at his own expense.

FCC Interference Statement for Class B EVM devices

This equipment has been tested and found to comply with the limits for a Class B digital device, pursuant to part 15 of the FCC Rules. These limits are designed to provide reasonable protection against harmful interference in a residential installation. This equipment generates, uses and can radiate radio frequency energy and, if not installed and used in accordance with the instructions, may cause harmful interference to radio communications. However, there is no guarantee that interference will not occur in a particular installation. If this equipment does cause harmful interference to radio or television reception, which can be determined by turning the equipment off and on, the user is encouraged to try to correct the interference by one or more of the following measures:

- Reorient or relocate the receiving antenna.
- Increase the separation between the equipment and receiver.
- Connect the equipment into an outlet on a circuit different from that to which the receiver is connected.
- Consult the dealer or an experienced radio/TV technician for help.

For EVMs annotated as IC – INDUSTRY CANADA Compliant

This Class A or B digital apparatus complies with Canadian ICES-003.

Changes or modifications not expressly approved by the party responsible for compliance could void the user's authority to operate the equipment.

Concerning EVMs including radio transmitters

This device complies with Industry Canada licence-exempt RSS standard(s). Operation is subject to the following two conditions: (1) this device may not cause interference, and (2) this device must accept any interference, including interference that may cause undesired operation of the device.

Concerning EVMs including detachable antennas

Under Industry Canada regulations, this radio transmitter may only operate using an antenna of a type and maximum (or lesser) gain approved for the transmitter by Industry Canada. To reduce potential radio interference to other users, the antenna type and its gain should be so chosen that the equivalent isotropically radiated power (e.i.r.p.) is not more than that necessary for successful communication.

This radio transmitter has been approved by Industry Canada to operate with the antenna types listed in the user guide with the maximum permissible gain and required antenna impedance for each antenna type indicated. Antenna types not included in this list, having a gain greater than the maximum gain indicated for that type, are strictly prohibited for use with this device.

Cet appareil numérique de la classe A ou B est conforme à la norme NMB-003 du Canada.

Les changements ou les modifications pas expressément approuvés par la partie responsable de la conformité ont pu vider l'autorité de l'utilisateur pour actionner l'équipement.

Concernant les EVMs avec appareils radio

Le présent appareil est conforme aux CNR d'Industrie Canada applicables aux appareils radio exempts de licence. L'exploitation est autorisée aux deux conditions suivantes : (1) l'appareil ne doit pas produire de brouillage, et (2) l'utilisateur de l'appareil doit accepter tout brouillage radioélectrique subi, même si le brouillage est susceptible d'en compromettre le fonctionnement.

Concernant les EVMs avec antennes détachables

Conformément à la réglementation d'Industrie Canada, le présent émetteur radio peut fonctionner avec une antenne d'un type et d'un gain maximal (ou inférieur) approuvé pour l'émetteur par Industrie Canada. Dans le but de réduire les risques de brouillage radioélectrique à l'intention des autres utilisateurs, il faut choisir le type d'antenne et son gain de sorte que la puissance isotrope rayonnée équivalente (p.i.r.e.) ne dépasse pas l'intensité nécessaire à l'établissement d'une communication satisfaisante.

Le présent émetteur radio a été approuvé par Industrie Canada pour fonctionner avec les types d'antenne énumérés dans le manuel d'usage et ayant un gain admissible maximal et l'impédance requise pour chaque type d'antenne. Les types d'antenne non inclus dans cette liste, ou dont le gain est supérieur au gain maximal indiqué, sont strictement interdits pour l'exploitation de l'émetteur.

【Important Notice for Users of this Product in Japan】

This development kit is NOT certified as Confirming to Technical Regulations of Radio Law of Japan

If you use this product in Japan, you are required by Radio Law of Japan to follow the instructions below with respect to this product:

1. Use this product in a shielded room or any other test facility as defined in the notification #173 issued by Ministry of Internal Affairs and Communications on March 28, 2006, based on Sub-section 1.1 of Article 6 of the Ministry's Rule for Enforcement of Radio Law of Japan,
2. Use this product only after you obtained the license of Test Radio Station as provided in Radio Law of Japan with respect to this product, or
3. Use of this product only after you obtained the Technical Regulations Conformity Certification as provided in Radio Law of Japan with respect to this product. Also, please do not transfer this product, unless you give the same notice above to the transferee. Please note that if you could not follow the instructions above, you will be subject to penalties of Radio Law of Japan.

Texas Instruments Japan Limited
(address) 24-1, Nishi-Shinjuku 6 chome, Shinjuku-ku, Tokyo, Japan

<http://www.tij.co.jp>

【ご使用にあたっての注】

本開発キットは技術基準適合証明を受けておりません。

本製品のご使用に際しては、電波法遵守のため、以下のいずれかの措置を取っていただく必要がありますのでご注意ください。

1. 電波法施行規則第6条第1項第1号に基づく平成18年3月28日総務省告示第173号で定められた電波暗室等の試験設備でご使用いただく。
2. 実験局の免許を取得後ご使用いただく。
3. 技術基準適合証明を取得後ご使用いただく。

なお、本製品は、上記の「ご使用にあたっての注意」を譲渡先、移転先に通知しない限り、譲渡、移転できないものとします。

上記を遵守頂けない場合は、電波法の罰則が適用される可能性があることをご留意ください。

日本テキサス・インスツルメンツ株式会社
東京都新宿区西新宿6丁目24番1号
西新宿三井ビル

<http://www.tij.co.jp>

EVALUATION BOARD/KIT/MODULE (EVM) WARNINGS, RESTRICTIONS AND DISCLAIMERS

For Feasibility Evaluation Only, in Laboratory/Development Environments. Unless otherwise indicated, this EVM is not a finished electrical equipment and not intended for consumer use. It is intended solely for use for preliminary feasibility evaluation in laboratory/development environments by technically qualified electronics experts who are familiar with the dangers and application risks associated with handling electrical mechanical components, systems and subsystems. It should not be used as all or part of a finished end product.

Your Sole Responsibility and Risk. You acknowledge, represent and agree that:

1. You have unique knowledge concerning Federal, State and local regulatory requirements (including but not limited to Food and Drug Administration regulations, if applicable) which relate to your products and which relate to your use (and/or that of your employees, affiliates, contractors or designees) of the EVM for evaluation, testing and other purposes.
2. You have full and exclusive responsibility to assure the safety and compliance of your products with all such laws and other applicable regulatory requirements, and also to assure the safety of any activities to be conducted by you and/or your employees, affiliates, contractors or designees, using the EVM. Further, you are responsible to assure that any interfaces (electronic and/or mechanical) between the EVM and any human body are designed with suitable isolation and means to safely limit accessible leakage currents to minimize the risk of electrical shock hazard.
3. You will employ reasonable safeguards to ensure that your use of the EVM will not result in any property damage, injury or death, even if the EVM should fail to perform as described or expected.
4. You will take care of proper disposal and recycling of the EVM's electronic components and packing materials.

Certain Instructions. It is important to operate this EVM within TI's recommended specifications and environmental considerations per the user guidelines. Exceeding the specified EVM ratings (including but not limited to input and output voltage, current, power, and environmental ranges) may cause property damage, personal injury or death. If there are questions concerning these ratings please contact a TI field representative prior to connecting interface electronics including input power and intended loads. Any loads applied outside of the specified output range may result in unintended and/or inaccurate operation and/or possible permanent damage to the EVM and/or interface electronics. Please consult the EVM User's Guide prior to connecting any load to the EVM output. If there is uncertainty as to the load specification, please contact a TI field representative. During normal operation, some circuit components may have case temperatures greater than 60°C as long as the input and output are maintained at a normal ambient operating temperature. These components include but are not limited to linear regulators, switching transistors, pass transistors, and current sense resistors which can be identified using the EVM schematic located in the EVM User's Guide. When placing measurement probes near these devices during normal operation, please be aware that these devices may be very warm to the touch. As with all electronic evaluation tools, only qualified personnel knowledgeable in electronic measurement and diagnostics normally found in development environments should use these EVMs.

Agreement to Defend, Indemnify and Hold Harmless. You agree to defend, indemnify and hold TI, its licensors and their representatives harmless from and against any and all claims, damages, losses, expenses, costs and liabilities (collectively, "Claims") arising out of or in connection with any use of the EVM that is not in accordance with the terms of the agreement. This obligation shall apply whether Claims arise under law of tort or contract or any other legal theory, and even if the EVM fails to perform as described or expected.

Safety-Critical or Life-Critical Applications. If you intend to evaluate the components for possible use in safety critical applications (such as life support) where a failure of the TI product would reasonably be expected to cause severe personal injury or death, such as devices which are classified as FDA Class III or similar classification, then you must specifically notify TI of such intent and enter into a separate Assurance and Indemnity Agreement.

Mailing Address: Texas Instruments, Post Office Box 655303, Dallas, Texas 75265
Copyright © 2013, Texas Instruments Incorporated

STANDARD TERMS AND CONDITIONS FOR EVALUATION MODULES

1. *Delivery:* TI delivers TI evaluation boards, kits, or modules, including any accompanying demonstration software, components, or documentation (collectively, an "EVM" or "EVMs") to the User ("User") in accordance with the terms and conditions set forth herein. Acceptance of the EVM is expressly subject to the following terms and conditions.
 - 1.1 EVMs are intended solely for product or software developers for use in a research and development setting to facilitate feasibility evaluation, experimentation, or scientific analysis of TI semiconductors products. EVMs have no direct function and are not finished products. EVMs shall not be directly or indirectly assembled as a part or subassembly in any finished product. For clarification, any software or software tools provided with the EVM ("Software") shall not be subject to the terms and conditions set forth herein but rather shall be subject to the applicable terms and conditions that accompany such Software
 - 1.2 EVMs are not intended for consumer or household use. EVMs may not be sold, sublicensed, leased, rented, loaned, assigned, or otherwise distributed for commercial purposes by Users, in whole or in part, or used in any finished product or production system.
2. *Limited Warranty and Related Remedies/Disclaimers:*
 - 2.1 These terms and conditions do not apply to Software. The warranty, if any, for Software is covered in the applicable Software License Agreement.
 - 2.2 TI warrants that the TI EVM will conform to TI's published specifications for ninety (90) days after the date TI delivers such EVM to User. Notwithstanding the foregoing, TI shall not be liable for any defects that are caused by neglect, misuse or mistreatment by an entity other than TI, including improper installation or testing, or for any EVMs that have been altered or modified in any way by an entity other than TI. Moreover, TI shall not be liable for any defects that result from User's design, specifications or instructions for such EVMs. Testing and other quality control techniques are used to the extent TI deems necessary or as mandated by government requirements. TI does not test all parameters of each EVM.
 - 2.3 If any EVM fails to conform to the warranty set forth above, TI's sole liability shall be at its option to repair or replace such EVM, or credit User's account for such EVM. TI's liability under this warranty shall be limited to EVMs that are returned during the warranty period to the address designated by TI and that are determined by TI not to conform to such warranty. If TI elects to repair or replace such EVM, TI shall have a reasonable time to repair such EVM or provide replacements. Repaired EVMs shall be warranted for the remainder of the original warranty period. Replaced EVMs shall be warranted for a new full ninety (90) day warranty period.
3. *Regulatory Notices:*
 - 3.1 *United States*
 - 3.1.1 *Notice applicable to EVMs not FCC-Approved:*

This kit is designed to allow product developers to evaluate electronic components, circuitry, or software associated with the kit to determine whether to incorporate such items in a finished product and software developers to write software applications for use with the end product. This kit is not a finished product and when assembled may not be resold or otherwise marketed unless all required FCC equipment authorizations are first obtained. Operation is subject to the condition that this product not cause harmful interference to licensed radio stations and that this product accept harmful interference. Unless the assembled kit is designed to operate under part 15, part 18 or part 95 of this chapter, the operator of the kit must operate under the authority of an FCC license holder or must secure an experimental authorization under part 5 of this chapter.
 - 3.1.2 *For EVMs annotated as FCC – FEDERAL COMMUNICATIONS COMMISSION Part 15 Compliant:*

CAUTION

This device complies with part 15 of the FCC Rules. Operation is subject to the following two conditions: (1) This device may not cause harmful interference, and (2) this device must accept any interference received, including interference that may cause undesired operation.

Changes or modifications not expressly approved by the party responsible for compliance could void the user's authority to operate the equipment.

FCC Interference Statement for Class A EVM devices

NOTE: This equipment has been tested and found to comply with the limits for a Class A digital device, pursuant to part 15 of the FCC Rules. These limits are designed to provide reasonable protection against harmful interference when the equipment is operated in a commercial environment. This equipment generates, uses, and can radiate radio frequency energy and, if not installed and used in accordance with the instruction manual, may cause harmful interference to radio communications. Operation of this equipment in a residential area is likely to cause harmful interference in which case the user will be required to correct the interference at his own expense.

FCC Interference Statement for Class B EVM devices

NOTE: This equipment has been tested and found to comply with the limits for a Class B digital device, pursuant to part 15 of the FCC Rules. These limits are designed to provide reasonable protection against harmful interference in a residential installation. This equipment generates, uses and can radiate radio frequency energy and, if not installed and used in accordance with the instructions, may cause harmful interference to radio communications. However, there is no guarantee that interference will not occur in a particular installation. If this equipment does cause harmful interference to radio or television reception, which can be determined by turning the equipment off and on, the user is encouraged to try to correct the interference by one or more of the following measures:

- Reorient or relocate the receiving antenna.
- Increase the separation between the equipment and receiver.
- Connect the equipment into an outlet on a circuit different from that to which the receiver is connected.
- Consult the dealer or an experienced radio/TV technician for help.

3.2 Canada

3.2.1 For EVMs issued with an Industry Canada Certificate of Conformance to RSS-210

Concerning EVMs Including Radio Transmitters:

This device complies with Industry Canada license-exempt RSS standard(s). Operation is subject to the following two conditions: (1) this device may not cause interference, and (2) this device must accept any interference, including interference that may cause undesired operation of the device.

Concernant les EVMs avec appareils radio:

Le présent appareil est conforme aux CNR d'Industrie Canada applicables aux appareils radio exempts de licence. L'exploitation est autorisée aux deux conditions suivantes: (1) l'appareil ne doit pas produire de brouillage, et (2) l'utilisateur de l'appareil doit accepter tout brouillage radioélectrique subi, même si le brouillage est susceptible d'en compromettre le fonctionnement.

Concerning EVMs Including Detachable Antennas:

Under Industry Canada regulations, this radio transmitter may only operate using an antenna of a type and maximum (or lesser) gain approved for the transmitter by Industry Canada. To reduce potential radio interference to other users, the antenna type and its gain should be so chosen that the equivalent isotropically radiated power (e.i.r.p.) is not more than that necessary for successful communication. This radio transmitter has been approved by Industry Canada to operate with the antenna types listed in the user guide with the maximum permissible gain and required antenna impedance for each antenna type indicated. Antenna types not included in this list, having a gain greater than the maximum gain indicated for that type, are strictly prohibited for use with this device.

Concernant les EVMs avec antennes détachables

Conformément à la réglementation d'Industrie Canada, le présent émetteur radio peut fonctionner avec une antenne d'un type et d'un gain maximal (ou inférieur) approuvé pour l'émetteur par Industrie Canada. Dans le but de réduire les risques de brouillage radioélectrique à l'intention des autres utilisateurs, il faut choisir le type d'antenne et son gain de sorte que la puissance isotrope rayonnée équivalente (p.i.r.e.) ne dépasse pas l'intensité nécessaire à l'établissement d'une communication satisfaisante. Le présent émetteur radio a été approuvé par Industrie Canada pour fonctionner avec les types d'antenne énumérés dans le manuel d'usage et ayant un gain admissible maximal et l'impédance requise pour chaque type d'antenne. Les types d'antenne non inclus dans cette liste, ou dont le gain est supérieur au gain maximal indiqué, sont strictement interdits pour l'exploitation de l'émetteur.

3.3 Japan

3.3.1 *Notice for EVMs delivered in Japan:* Please see http://www.tij.co.jp/lstds/ti_ja/general/eStore/notice_01.page 日本国内に輸入される評価用キット、ボードについては、次のところをご覧ください。
http://www.tij.co.jp/lstds/ti_ja/general/eStore/notice_01.page

3.3.2 *Notice for Users of EVMs Considered "Radio Frequency Products" in Japan:* EVMs entering Japan may not be certified by TI as conforming to Technical Regulations of Radio Law of Japan.

If User uses EVMs in Japan, not certified to Technical Regulations of Radio Law of Japan, User is required by Radio Law of Japan to follow the instructions below with respect to EVMs:

1. Use EVMs in a shielded room or any other test facility as defined in the notification #173 issued by Ministry of Internal Affairs and Communications on March 28, 2006, based on Sub-section 1.1 of Article 6 of the Ministry's Rule for Enforcement of Radio Law of Japan,
2. Use EVMs only after User obtains the license of Test Radio Station as provided in Radio Law of Japan with respect to EVMs, or
3. Use of EVMs only after User obtains the Technical Regulations Conformity Certification as provided in Radio Law of Japan with respect to EVMs. Also, do not transfer EVMs, unless User gives the same notice above to the transferee. Please note that if User does not follow the instructions above, User will be subject to penalties of Radio Law of Japan.

【無線電波を送信する製品の開発キットをお使いになる際の注意事項】 開発キットの中には技術基準適合証明を受けていないものがあります。技術適合証明を受けていないものご使用に際しては、電波法遵守のため、以下のいずれかの措置を取っていただく必要がありますのでご注意ください。

1. 電波法施行規則第6条第1項第1号に基づく平成18年3月28日総務省告示第173号で定められた電波暗室等の試験設備でご使用いただく。
2. 実験局の免許を取得後ご使用いただく。
3. 技術基準適合証明を取得後ご使用いただく。

なお、本製品は、上記の「ご使用にあたっての注意」を譲渡先、移転先に通知しない限り、譲渡、移転できないものとします。

上記を遵守頂けない場合は、電波法の罰則が適用される可能性があることをご留意ください。日本テキサス・インスツルメンツ株式会社
東京都新宿区西新宿 6 丁目 2 4 番 1 号
西新宿三井ビル

3.3.3 *Notice for EVMs for Power Line Communication:* Please see http://www.tij.co.jp/llds/ti_ja/general/eStore/notice_02.page
電力線搬送波通信についての開発キットをお使いになる際の注意事項については、次のところをご覧ください。http://www.tij.co.jp/llds/ti_ja/general/eStore/notice_02.page

4 *EVM Use Restrictions and Warnings:*

4.1 EVMS ARE NOT FOR USE IN FUNCTIONAL SAFETY AND/OR SAFETY CRITICAL EVALUATIONS, INCLUDING BUT NOT LIMITED TO EVALUATIONS OF LIFE SUPPORT APPLICATIONS.

4.2 User must read and apply the user guide and other available documentation provided by TI regarding the EVM prior to handling or using the EVM, including without limitation any warning or restriction notices. The notices contain important safety information related to, for example, temperatures and voltages.

4.3 *Safety-Related Warnings and Restrictions:*

4.3.1 User shall operate the EVM within TI's recommended specifications and environmental considerations stated in the user guide, other available documentation provided by TI, and any other applicable requirements and employ reasonable and customary safeguards. Exceeding the specified performance ratings and specifications (including but not limited to input and output voltage, current, power, and environmental ranges) for the EVM may cause personal injury or death, or property damage. If there are questions concerning performance ratings and specifications, User should contact a TI field representative prior to connecting interface electronics including input power and intended loads. Any loads applied outside of the specified output range may also result in unintended and/or inaccurate operation and/or possible permanent damage to the EVM and/or interface electronics. Please consult the EVM user guide prior to connecting any load to the EVM output. If there is uncertainty as to the load specification, please contact a TI field representative. During normal operation, even with the inputs and outputs kept within the specified allowable ranges, some circuit components may have elevated case temperatures. These components include but are not limited to linear regulators, switching transistors, pass transistors, current sense resistors, and heat sinks, which can be identified using the information in the associated documentation. When working with the EVM, please be aware that the EVM may become very warm.

4.3.2 EVMs are intended solely for use by technically qualified, professional electronics experts who are familiar with the dangers and application risks associated with handling electrical mechanical components, systems, and subsystems. User assumes all responsibility and liability for proper and safe handling and use of the EVM by User or its employees, affiliates, contractors or designees. User assumes all responsibility and liability to ensure that any interfaces (electronic and/or mechanical) between the EVM and any human body are designed with suitable isolation and means to safely limit accessible leakage currents to minimize the risk of electrical shock hazard. User assumes all responsibility and liability for any improper or unsafe handling or use of the EVM by User or its employees, affiliates, contractors or designees.

4.4 User assumes all responsibility and liability to determine whether the EVM is subject to any applicable international, federal, state, or local laws and regulations related to User's handling and use of the EVM and, if applicable, User assumes all responsibility and liability for compliance in all respects with such laws and regulations. User assumes all responsibility and liability for proper disposal and recycling of the EVM consistent with all applicable international, federal, state, and local requirements.

5. *Accuracy of Information:* To the extent TI provides information on the availability and function of EVMs, TI attempts to be as accurate as possible. However, TI does not warrant the accuracy of EVM descriptions, EVM availability or other information on its websites as accurate, complete, reliable, current, or error-free.

6. *Disclaimers:*
- 6.1 EXCEPT AS SET FORTH ABOVE, EVMS AND ANY WRITTEN DESIGN MATERIALS PROVIDED WITH THE EVM (AND THE DESIGN OF THE EVM ITSELF) ARE PROVIDED "AS IS" AND "WITH ALL FAULTS." TI DISCLAIMS ALL OTHER WARRANTIES, EXPRESS OR IMPLIED, REGARDING SUCH ITEMS, INCLUDING BUT NOT LIMITED TO ANY IMPLIED WARRANTIES OF MERCHANTABILITY OR FITNESS FOR A PARTICULAR PURPOSE OR NON-INFRINGEMENT OF ANY THIRD PARTY PATENTS, COPYRIGHTS, TRADE SECRETS OR OTHER INTELLECTUAL PROPERTY RIGHTS.
- 6.2 EXCEPT FOR THE LIMITED RIGHT TO USE THE EVM SET FORTH HEREIN, NOTHING IN THESE TERMS AND CONDITIONS SHALL BE CONSTRUED AS GRANTING OR CONFERRING ANY RIGHTS BY LICENSE, PATENT, OR ANY OTHER INDUSTRIAL OR INTELLECTUAL PROPERTY RIGHT OF TI, ITS SUPPLIERS/LICENSORS OR ANY OTHER THIRD PARTY, TO USE THE EVM IN ANY FINISHED END-USER OR READY-TO-USE FINAL PRODUCT, OR FOR ANY INVENTION, DISCOVERY OR IMPROVEMENT MADE, CONCEIVED OR ACQUIRED PRIOR TO OR AFTER DELIVERY OF THE EVM.
7. *USER'S INDEMNITY OBLIGATIONS AND REPRESENTATIONS.* USER WILL DEFEND, INDEMNIFY AND HOLD TI, ITS LICENSORS AND THEIR REPRESENTATIVES HARMLESS FROM AND AGAINST ANY AND ALL CLAIMS, DAMAGES, LOSSES, EXPENSES, COSTS AND LIABILITIES (COLLECTIVELY, "CLAIMS") ARISING OUT OF OR IN CONNECTION WITH ANY HANDLING OR USE OF THE EVM THAT IS NOT IN ACCORDANCE WITH THESE TERMS AND CONDITIONS. THIS OBLIGATION SHALL APPLY WHETHER CLAIMS ARISE UNDER STATUTE, REGULATION, OR THE LAW OF TORT, CONTRACT OR ANY OTHER LEGAL THEORY, AND EVEN IF THE EVM FAILS TO PERFORM AS DESCRIBED OR EXPECTED.
8. *Limitations on Damages and Liability:*
- 8.1 *General Limitations.* IN NO EVENT SHALL TI BE LIABLE FOR ANY SPECIAL, COLLATERAL, INDIRECT, PUNITIVE, INCIDENTAL, CONSEQUENTIAL, OR EXEMPLARY DAMAGES IN CONNECTION WITH OR ARISING OUT OF THESE TERMS AND CONDITIONS OR THE USE OF THE EVMS PROVIDED HEREUNDER, REGARDLESS OF WHETHER TI HAS BEEN ADVISED OF THE POSSIBILITY OF SUCH DAMAGES. EXCLUDED DAMAGES INCLUDE, BUT ARE NOT LIMITED TO, COST OF REMOVAL OR REINSTALLATION, ANCILLARY COSTS TO THE PROCUREMENT OF SUBSTITUTE GOODS OR SERVICES, RETESTING, OUTSIDE COMPUTER TIME, LABOR COSTS, LOSS OF GOODWILL, LOSS OF PROFITS, LOSS OF SAVINGS, LOSS OF USE, LOSS OF DATA, OR BUSINESS INTERRUPTION. NO CLAIM, SUIT OR ACTION SHALL BE BROUGHT AGAINST TI MORE THAN ONE YEAR AFTER THE RELATED CAUSE OF ACTION HAS OCCURRED.
- 8.2 *Specific Limitations.* IN NO EVENT SHALL TI'S AGGREGATE LIABILITY FROM ANY WARRANTY OR OTHER OBLIGATION ARISING OUT OF OR IN CONNECTION WITH THESE TERMS AND CONDITIONS, OR ANY USE OF ANY TI EVM PROVIDED HEREUNDER, EXCEED THE TOTAL AMOUNT PAID TO TI FOR THE PARTICULAR UNITS SOLD UNDER THESE TERMS AND CONDITIONS WITH RESPECT TO WHICH LOSSES OR DAMAGES ARE CLAIMED. THE EXISTENCE OF MORE THAN ONE CLAIM AGAINST THE PARTICULAR UNITS SOLD TO USER UNDER THESE TERMS AND CONDITIONS SHALL NOT ENLARGE OR EXTEND THIS LIMIT.
9. *Return Policy.* Except as otherwise provided, TI does not offer any refunds, returns, or exchanges. Furthermore, no return of EVM(s) will be accepted if the package has been opened and no return of the EVM(s) will be accepted if they are damaged or otherwise not in a resalable condition. If User feels it has been incorrectly charged for the EVM(s) it ordered or that delivery violates the applicable order, User should contact TI. All refunds will be made in full within thirty (30) working days from the return of the components(s), excluding any postage or packaging costs.
10. *Governing Law:* These terms and conditions shall be governed by and interpreted in accordance with the laws of the State of Texas, without reference to conflict-of-laws principles. User agrees that non-exclusive jurisdiction for any dispute arising out of or relating to these terms and conditions lies within courts located in the State of Texas and consents to venue in Dallas County, Texas. Notwithstanding the foregoing, any judgment may be enforced in any United States or foreign court, and TI may seek injunctive relief in any United States or foreign court.

Mailing Address: Texas Instruments, Post Office Box 655303, Dallas, Texas 75265
Copyright © 2015, Texas Instruments Incorporated

IMPORTANT NOTICE

Texas Instruments Incorporated and its subsidiaries (TI) reserve the right to make corrections, enhancements, improvements and other changes to its semiconductor products and services per JESD46, latest issue, and to discontinue any product or service per JESD48, latest issue. Buyers should obtain the latest relevant information before placing orders and should verify that such information is current and complete. All semiconductor products (also referred to herein as "components") are sold subject to TI's terms and conditions of sale supplied at the time of order acknowledgment.

TI warrants performance of its components to the specifications applicable at the time of sale, in accordance with the warranty in TI's terms and conditions of sale of semiconductor products. Testing and other quality control techniques are used to the extent TI deems necessary to support this warranty. Except where mandated by applicable law, testing of all parameters of each component is not necessarily performed.

TI assumes no liability for applications assistance or the design of Buyers' products. Buyers are responsible for their products and applications using TI components. To minimize the risks associated with Buyers' products and applications, Buyers should provide adequate design and operating safeguards.

TI does not warrant or represent that any license, either express or implied, is granted under any patent right, copyright, mask work right, or other intellectual property right relating to any combination, machine, or process in which TI components or services are used. Information published by TI regarding third-party products or services does not constitute a license to use such products or services or a warranty or endorsement thereof. Use of such information may require a license from a third party under the patents or other intellectual property of the third party, or a license from TI under the patents or other intellectual property of TI.

Reproduction of significant portions of TI information in TI data books or data sheets is permissible only if reproduction is without alteration and is accompanied by all associated warranties, conditions, limitations, and notices. TI is not responsible or liable for such altered documentation. Information of third parties may be subject to additional restrictions.

Resale of TI components or services with statements different from or beyond the parameters stated by TI for that component or service voids all express and any implied warranties for the associated TI component or service and is an unfair and deceptive business practice. TI is not responsible or liable for any such statements.

Buyer acknowledges and agrees that it is solely responsible for compliance with all legal, regulatory and safety-related requirements concerning its products, and any use of TI components in its applications, notwithstanding any applications-related information or support that may be provided by TI. Buyer represents and agrees that it has all the necessary expertise to create and implement safeguards which anticipate dangerous consequences of failures, monitor failures and their consequences, lessen the likelihood of failures that might cause harm and take appropriate remedial actions. Buyer will fully indemnify TI and its representatives against any damages arising out of the use of any TI components in safety-critical applications.

In some cases, TI components may be promoted specifically to facilitate safety-related applications. With such components, TI's goal is to help enable customers to design and create their own end-product solutions that meet applicable functional safety standards and requirements. Nonetheless, such components are subject to these terms.

No TI components are authorized for use in FDA Class III (or similar life-critical medical equipment) unless authorized officers of the parties have executed a special agreement specifically governing such use.

Only those TI components which TI has specifically designated as military grade or "enhanced plastic" are designed and intended for use in military/aerospace applications or environments. Buyer acknowledges and agrees that any military or aerospace use of TI components which have **not** been so designated is solely at the Buyer's risk, and that Buyer is solely responsible for compliance with all legal and regulatory requirements in connection with such use.

TI has specifically designated certain components as meeting ISO/TS16949 requirements, mainly for automotive use. In any case of use of non-designated products, TI will not be responsible for any failure to meet ISO/TS16949.

Products

Audio	www.ti.com/audio
Amplifiers	amplifier.ti.com
Data Converters	dataconverter.ti.com
DLP® Products	www.dlp.com
DSP	dsp.ti.com
Clocks and Timers	www.ti.com/clocks
Interface	interface.ti.com
Logic	logic.ti.com
Power Mgmt	power.ti.com
Microcontrollers	microcontroller.ti.com
RFID	www.ti-rfid.com
OMAP Applications Processors	www.ti.com/omap
Wireless Connectivity	www.ti.com/wirelessconnectivity

Applications

Automotive and Transportation	www.ti.com/automotive
Communications and Telecom	www.ti.com/communications
Computers and Peripherals	www.ti.com/computers
Consumer Electronics	www.ti.com/consumer-apps
Energy and Lighting	www.ti.com/energy
Industrial	www.ti.com/industrial
Medical	www.ti.com/medical
Security	www.ti.com/security
Space, Avionics and Defense	www.ti.com/space-avionics-defense
Video and Imaging	www.ti.com/video

TI E2E Community

e2e.ti.com