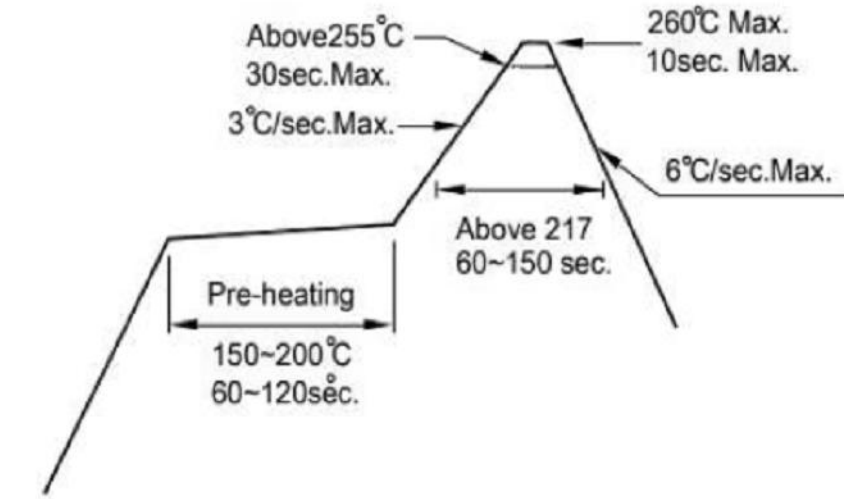
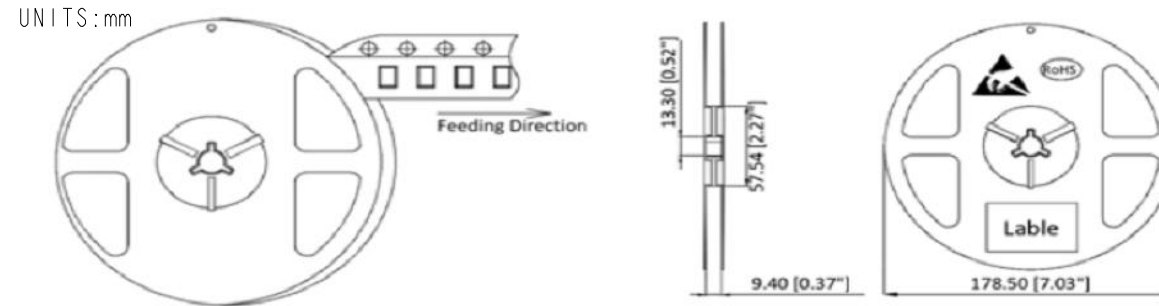


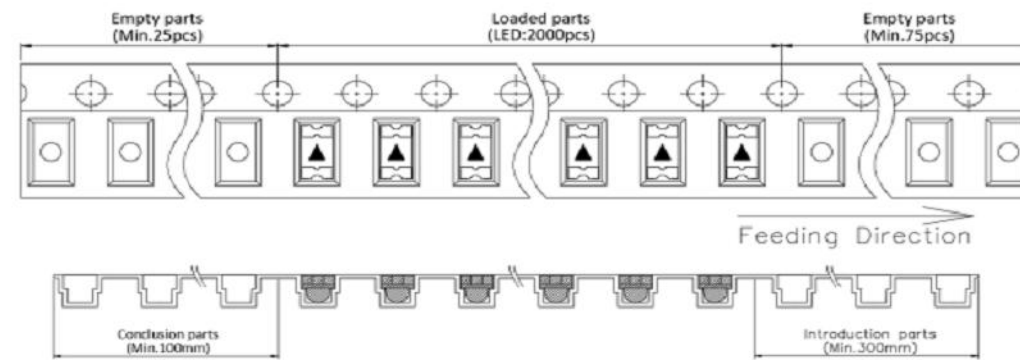
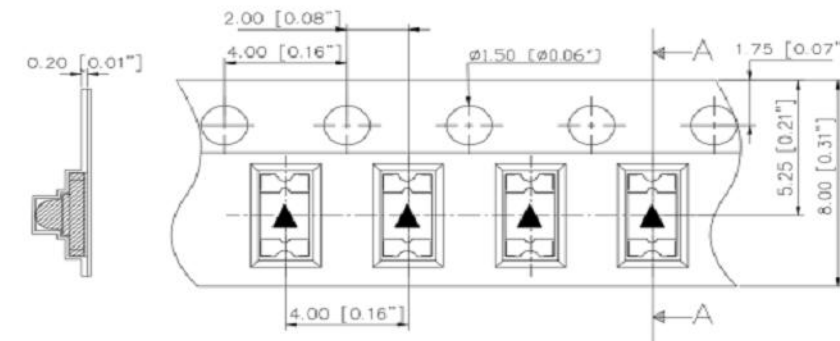
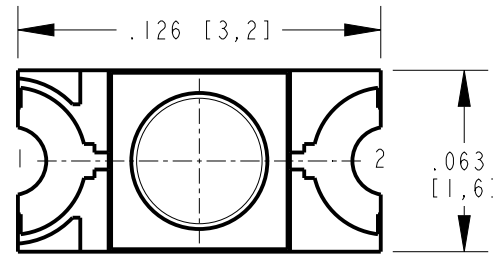
PART NUMBER	LED COLOR TYP(nm)
597-6222-107F	ORANGE (605)
597-6222-102F	
597-6232-107F	YELLOW (589)
597-6232-102F	
597-6502-107F	YELLOW GREEN (571)
597-6502-102F	
597-6322-107F	GREEN (525)
597-6322-102F	
597-6602-107F	BLUE (469)
597-6602-102F	

REV	ECN NO	REVISIONS	DRN	CKD	APP	DATE
A	98364	NEW RELEASE	JSG	CS	NO	12OCT22

PACKAGE DIMENSIONS OF TAPE AND REEL

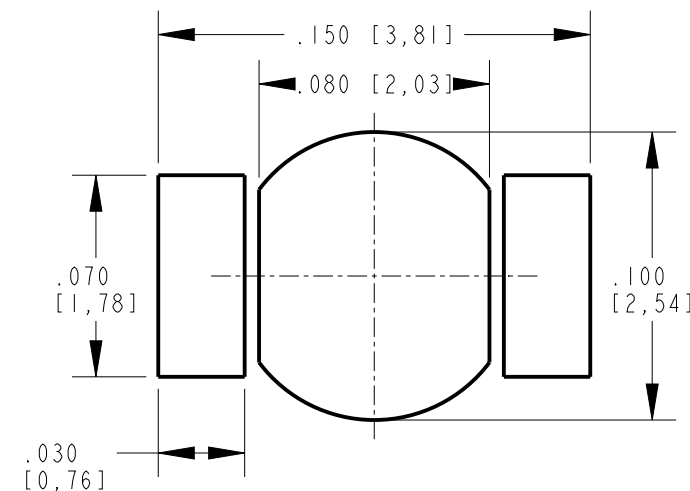
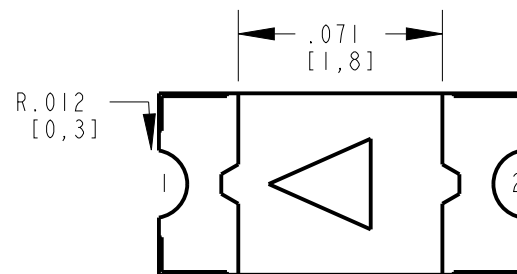
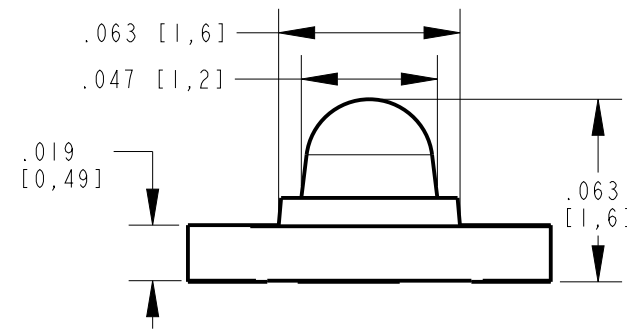


RECOMMENDED ROHS SOLDER PROFILE



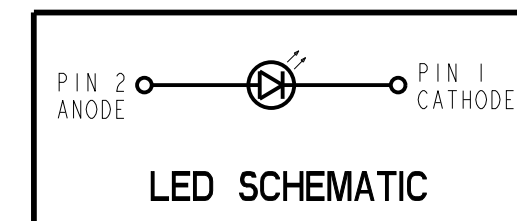
NOTES:

- PIN NUMBERS ARE FOR REFERENCE ONLY, DESIGNATION NON-EXISTENT ON PART.
- LABELING FOR REEL AND OUTSIDE OF ALUMINUM BAG, DIALIGHT P/N, QUANTITY PER REEL, DATE CODE, INTENSITY BIN CODE, LOT NUMBER AND COUNTRY OF ORIGIN.
- THIS PRODUCT IS RoHS COMPLIANT. EACH BAG IS TO BE MARKED WITH RoHS COMPLIANT LABEL OR EQUIVALENT MARKINGS. LED MUST BE Pb FREE.
- MOISTURE SENSITIVITY LEVEL 3.
- QUANTITY : PART NUMBERS END WITH 107F REFER AS 2000 PCS/ REEL
PART NUMBERS END WITH 102F REFER AS 20 PCS/ STRIP



RECOMMENDED PAD LAYOUT

OPERATING CHARACTERISTICS AT 25°C AMBIENT									
LED COLOR	TEST CONDITION (mA)	LUMINOUS INTENSITY		FORWARD VOLTAGE (V)		DOMINANT WAVELENGTH (nm)		REVERSE CURRENT (uA)	VIEWING ANGLE (DEGREES)
		MIN	MAX	MIN	MAX	MIN	MAX	MAX	TYP
ORANGE	20	417	1550	1.8	2.4	600	610	10µA @ VR=5V	30
YELLOW		417	1550	1.8	2.4	584	594		
YELLOW-GREEN		112	417	1.8	2.4	566	576		
GREEN		542	2015	2.8	3.6	520	530		
BLUE		705	2015	2.8	3.6	464	474		



LED SCHEMATIC



ATTENTION:
OBSERVE PRECAUTIONS FOR
HANDLING ELECTROSTATIC
SENSITIVE DEVICES

ABSOLUTE MAXIMUM RATINGS AT 25°C							
LED COLOR	POWER DISSIPATION (mW)	FORWARD CURRENT (mA)	PEAK FORWARD CURRENT (mA)	REVERSE VOLTAGE (V)	OPERATING TEMPERATURE (°C)	STORAGE TEMPERATURE (°C)	DERATING CURVE FROM 25°C (mA/°C)
ORANGE	72	30	125 (1/8 DUTY CYCLE, 1ms PULSE WIDTH)	5	-40°C TO +85°C	-40°C TO +85°C	0.333
YELLOW	72	30		5			0.333
YELLOW-GREEN	72	30		5			0.333
GREEN	108	30		5			0.333
BLUE	108	30		5			0.333

THIS DRAWING AND THE CONTENTS HEREIN ARE CONFIDENTIAL AND THE SOLE PROPERTY OF DIALIGHT CORP. REPRODUCTION OF THIS DRAWING OR CONSTRUCTION OF ANY PARTS WITHIN THIS DRAWING ARE FORBIDDEN WITHOUT THE WRITTEN CONSENT OF DIALIGHT CORP.		
DIALIGHT CORP. INTERNAL REFERENCE ONLY = 3D MODEL : 0603.SINGLE-		
SCALE: 1:5	DRAWING NUMBER	REV
ALL DIM'S: INCH (mm)	C-18571	A
TOLERANCES: UNLESS OTHERWISE SPECIFIED	TITLE	
FRACTIONS: ±1/64	SM 1206 REVMT W/ LENS	
DECIMALS (.XX): ±.01	MATERIAL	
DECIMALS (.XXX): ±.005		
DECIMALS (.XXXX): ±.0005		
ANGLES: ±1°		
FINISH		
FSCM 83330		
	SHEET 1 OF 1	FAMILY TABLE:

1501 ROUTE 34 SOUTH
FARMINGDALE, NJ 07727
(732) 919-3119
www.dialight.com