

|   |  |                           |  |   |  |                |  |                 |  |
|---|--|---------------------------|--|---|--|----------------|--|-----------------|--|
| THIS DRAWING CONTAINS INFORMATION THAT IS PROPRIETARY TO MOLEX ELECTRONIC TECHNOLOGIES, LLC AND SHOULD NOT BE USED WITHOUT WRITTEN PERMISSION |  |                           |  |   |  |                |  |                 |  |
| DIMENSION UNITS   |  | SCALE                     |  | CURRENT REV DESC: REMASTERED TO NX  |  |                |  |                 |  |
| mm  |  | NTS                       |  | <p>I-TRAC BACKPLANE 7 ROW<br/>GUIDE LEFT ASSEMBLY SALES DRAWING</p> <p>PRODUCT CUSTOMER DRAWING</p> |  |                |  |                 |  |
| GENERAL TOLERANCES (UNLESS SPECIFIED)   |  |                           |  |   |  |                |  |                 |  |
| ANGULAR TOL ± 0.5°  |  |                           |  |   |  |                |  |                 |  |
| 4 PLACES ±  |  | EC NO: 671119             |  |   |  |                |  |                 |  |
| 3 PLACES ±  |  | DRWN: YOGEEB 2021/04/29   |  |   |  |                |  |                 |  |
| 2 PLACES ± 0.13   |  | CHK'D: VINODM3 2022/02/03 |  |   |  |                |  |                 |  |
| 1 PLACE ± 0.25  |  | APPR: CWANG25 2022/02/18  |  |   |  |                |  |                 |  |
| 0 PLACES ±  |  | INITIAL REVISION:         |  | DOCUMENT NUMBER   |  | DOC TYPE       |  | DOC PART        |  |
| DRAFT WHERE APPLICABLE MUST REMAIN WITHIN DIMENSIONS  |  | THIRD ANGLE PROJECTION    |  | DRAWING   |  | SERIES         |  | MATERIAL NUMBER |  |
|   |  |                           |  | C-SIZE  |  | 76015          |  | SEE TABLE       |  |
|   |  |                           |  | GENERAL MARKET  |  | CUSTOMER       |  | SHEET NUMBER    |  |
|   |  |                           |  | 1 OF 4  |  | GENERAL MARKET |  | 1 OF 4          |  |

# 76015-\*\*\*\*

MODULE TYPE -- TAIL PLATING TYPE  
 GUIDE LEFT -- TIN ONLY = 2 (PREVIOUSLY TIN/LEAD)  
 GUIDE LEFT -- TIN ONLY = 3  
 GUIDE LEFT W/END -- TIN ONLY = 6 (PREVIOUSLY TIN/LEAD)  
 GUIDE LEFT W/END -- TIN ONLY = 7

# OF COLUMNS  
 4 = 4 COL  
 6 = 6 COL  
 1 = 10 COL

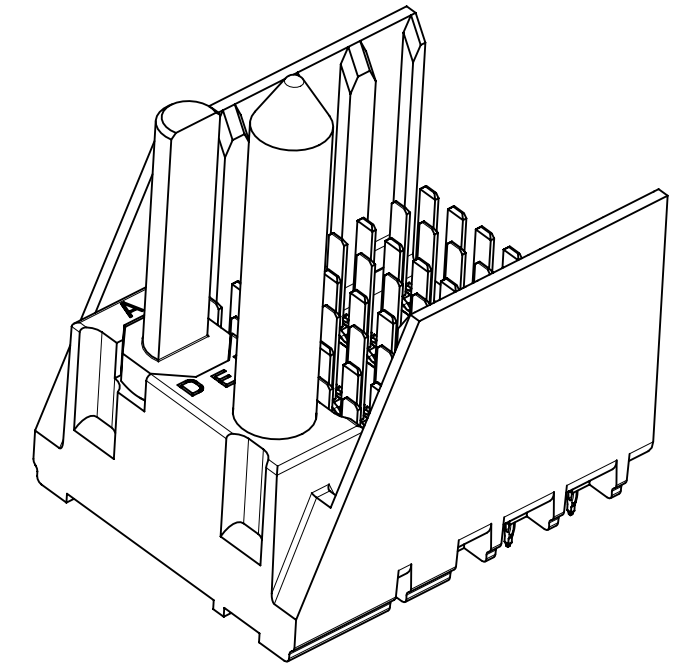
KEY ORIENTATION  
 0 = NO KEY  
 1 = A  
 2 = B  
 3 = C  
 4 = D  
 5 = E  
 6 = F  
 7 = G  
 8 = H

PIN LENGTH (P)  
 2 = 3.90 - 30 GOLD  
 3 = 4.70 - 30 GOLD  
 4 = 5.70 - 30 GOLD  
 5 = 4.70 & 5.70 - 30 GOLD STAGGERED  
 6 = 3.90 - 10 GOLD  
 7 = 4.70 - 10 GOLD  
 8 = 5.70 - 10 GOLD  
 9 = 4.70 & 5.70 - 10 GOLD STAGGERED

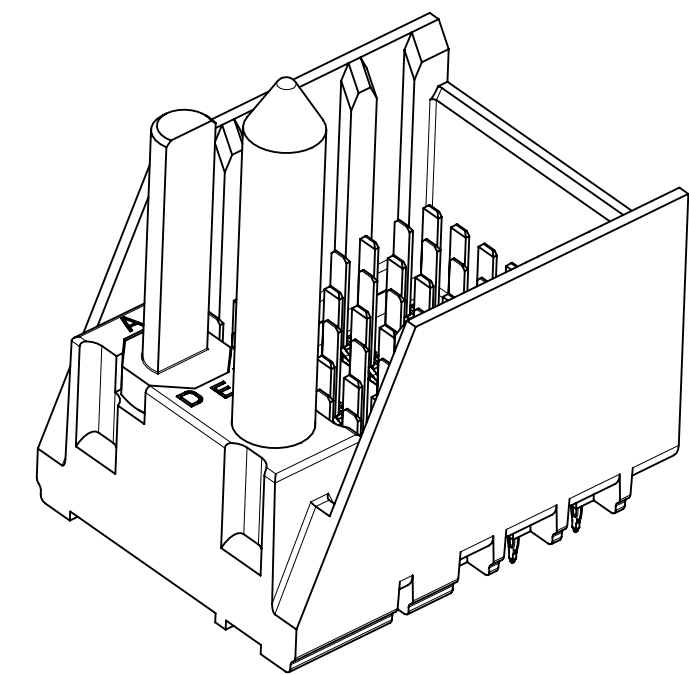
| MATERIAL NUMBER | # OF COLUMNS | DIM "A" | DIM "B" |
|-----------------|--------------|---------|---------|
| 76015-4**       | 4            | 21.1    | 11.10   |
| 76015-6**       | 6            | 28.5    | 18.50   |
| 76015-1**       | 10           | 43.3    | 33.30   |

| MATERIAL NUMBER | # OF COLUMNS | DIM "A" | DIM "B" |
|-----------------|--------------|---------|---------|
| 76015-4**       | 4            | 22.4    | 11.10   |
| 76015-6**       | 6            | 29.8    | 18.50   |
| 76015-1**       | 10           | 44.6    | 33.30   |

GUIDE LEFT STYLE



GUIDE LEFT W/END STYLE

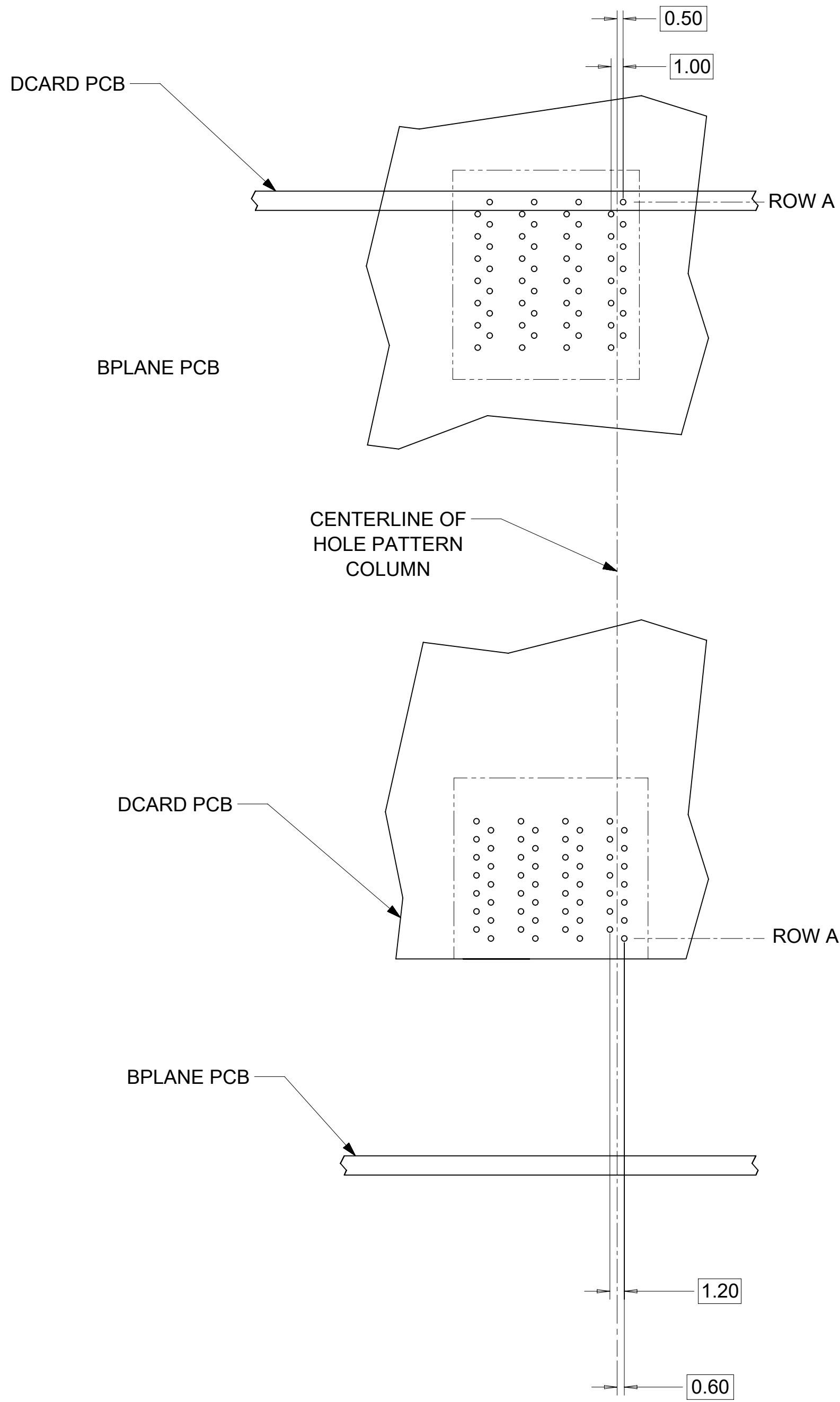


NOTES:

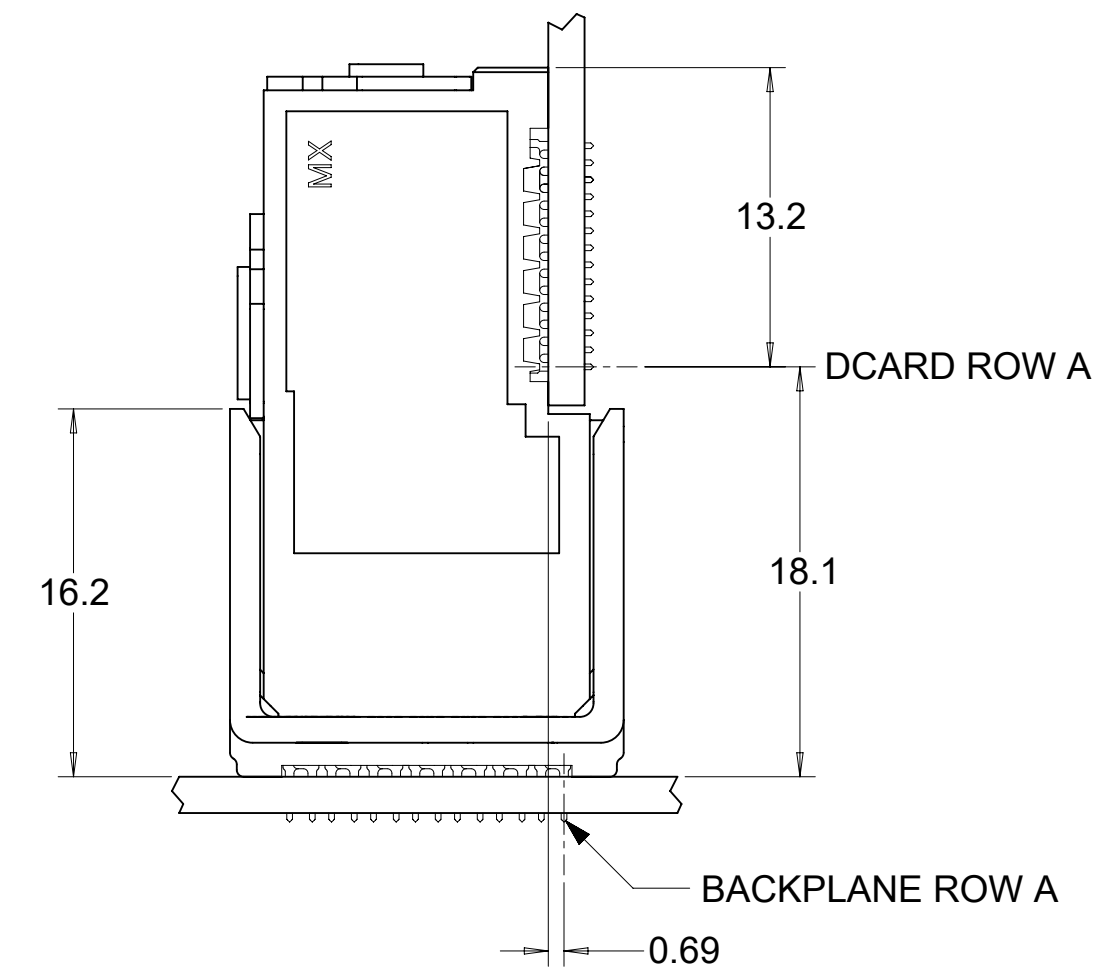
1. MATERIALS: HOUSING - LIQUID CRYSTAL POLYMER (LCP)  
GLASS-FILLED, UL94V-0  
TERMINALS - HIGH PERFORMANCE COPPER ALLOY
2. FINISH: 10 MICROINCH MINIMUM GOLD OR 30 MICROINCH MINIMUM GOLD  
IN CONTACT AREA. SELECTIVE MATTE TIN ON PCB TAILS,  
NICKEL OVERALL.
3. REFER TO MOLEX PRODUCT SPECIFICATION PS-75710-999  
FOR PERFORMANCE SPECIFICATIONS.
4. FOR MIXED CONTACT MATING LENGTHS, CONSULT MOLEX  
FOR AVAILABILITY.
5. THIS PART CONFORMS TO CLASS B REQUIREMENTS OF  
COSMETIC SPEC PS-45499-002.
6. PACKAGE PER: PK-70873-802.
7. GUIDED PARTS TO BE SHIPPED WITH 2-56 UNC B SCREW P/N 73774-1000.
8. FOR GROUNDED GUIDE PINS USE DIA 3.56+/-0.08 (PTH),  
DIA 3.66 (DRILL), AND DIA 6.5 (PAD).
9. REFER TO PCB ROUTING GUIDE FOR ANTIPAD AND ROUTING RECOMMENDATIONS.

|   |  |        |  |   |  |                |  |                 |  |
|---|--|--------|--|---|--|----------------|--|-----------------|--|
| THIS DRAWING CONTAINS INFORMATION THAT IS PROPRIETARY TO MOLEX ELECTRONIC TECHNOLOGIES, LLC AND SHOULD NOT BE USED WITHOUT WRITTEN PERMISSION |  |        |  |   |  |                |  |                 |  |
| DIMENSION UNITS   |  | SCALE  |  | CURRENT REV DESC: REMASTERED TO NX  |  |                |  |                 |  |
| mm  |  | NTS    |  |   |  |                |  |                 |  |
| GENERAL TOLERANCES (UNLESS SPECIFIED)   |  |        |  |   |  |                |  |                 |  |
| ANGULAR TOL   |  | ± 0.5° |  | EC NO: 671119<br>DRWN: YOGEEB 2021/04/29<br>CHK'D: VINODM3 2022/02/03<br>APPR: CWANG25 2022/02/18           |  |                |  |                 |  |
| 4 PLACES  |  | ±      |  | INITIAL REVISION:<br>DRWN: BPISZCZOR 2007/02/08<br>APPR: JLAURX 2007/02/09                                  |  |                |  |                 |  |
| 3 PLACES  |  | ±      |  |   |  |                |  |                 |  |
| 2 PLACES  |  | ± 0.13 |  | PRODUCT CUSTOMER DRAWING<br>DOCUMENT NUMBER: SD-76015-002<br>DOC TYPE: PSD<br>DOC PART: 001<br>REVISION: E1 |  |                |  |                 |  |
| 1 PLACE   |  | ± 0.25 |  |   |  |                |  |                 |  |
| 0 PLACES  |  | ±      |  | THIRD ANGLE PROJECTION  |  | DRAWING        |  | SHEET NUMBER    |  |
| DRAFT WHERE APPLICABLE MUST REMAIN WITHIN DIMENSIONS  |  |        |  | C-SIZE  |  | SERIES         |  | MATERIAL NUMBER |  |
|   |  |        |  |   |  | 76015          |  | SEE TABLE       |  |
|   |  |        |  |   |  | GENERAL MARKET |  | 2 OF 4          |  |

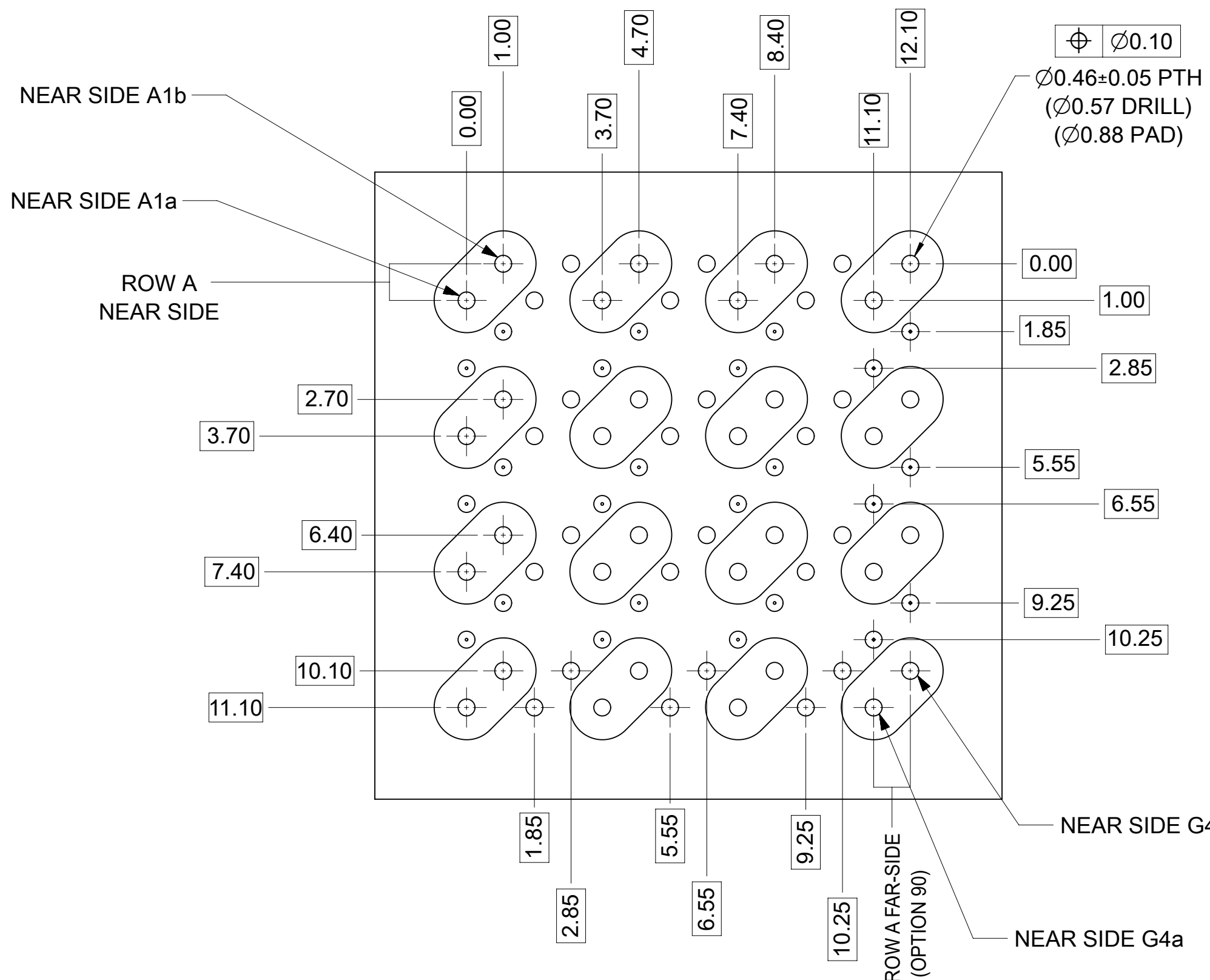
|                 |    |              |            |          |
|-----------------|----|--------------|------------|----------|
| DOCUMENT STATUS | P1 | RELEASE DATE | 2022/02/18 | 05:04:06 |
|-----------------|----|--------------|------------|----------|



**7 ROW I-TRAC  
BOARD RELATIONSHIPS**



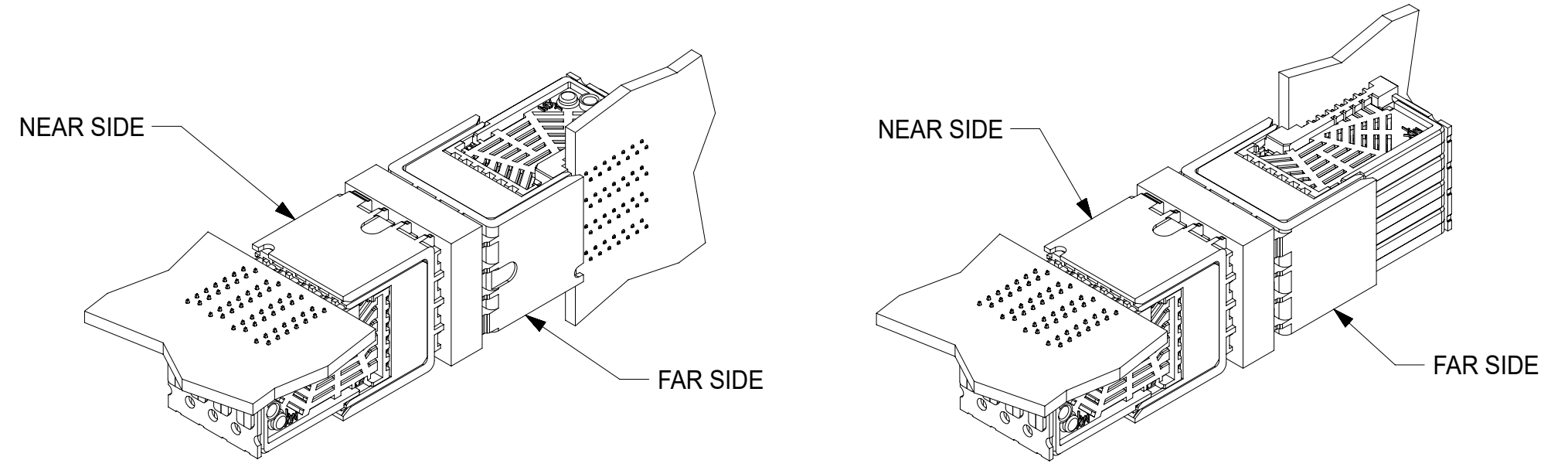
|   |  |                        |  |   |  |            |  |                 |  |
|---|--|------------------------|--|---|--|------------|--|-----------------|--|
| THIS DRAWING CONTAINS INFORMATION THAT IS PROPRIETARY TO MOLEX ELECTRONIC TECHNOLOGIES, LLC AND SHOULD NOT BE USED WITHOUT WRITTEN PERMISSION |  |                        |  |   |  |            |  |                 |  |
| DIMENSION UNITS   |  | SCALE                  |  | CURRENT REV DESC: REMASTERED TO NX                          |  |            |  | <b>molex</b>    |  |
| mm  |  | NTS                    |  |   |  |            |  |                 |  |
| GENERAL TOLERANCES (UNLESS SPECIFIED)   |  |                        |  | I-TRAC BACKPLANE 7 ROW<br>GUIDE LEFT ASSEMBLY SALES DRAWING |  |            |  |                 |  |
| ANGULAR TOL ± 0.5°  |  |                        |  | PRODUCT CUSTOMER DRAWING                                    |  |            |  |                 |  |
| 4 PLACES ±  |  | EC NO: 671119          |  | DRWN: YOGEEB  |  | 2021/04/29 |  |                 |  |
| 3 PLACES ±  |  | CHK'D: VINODM3         |  | APPR: CWANG25   |  | 2022/02/03 |  |                 |  |
| 2 PLACES ± 0.13   |  | INITIAL REVISION:      |  | DRWN: BPISZCZOR   |  | 2007/02/08 |  | DOCUMENT NUMBER |  |
| 1 PLACE ± 0.25  |  | DRWN: JLAURX           |  | APPR: JLAURX  |  | 2007/02/09 |  | SD-76015-002    |  |
| 0 PLACES ±  |  | THIRD ANGLE PROJECTION |  | DRAWING   |  | SERIES     |  | MATERIAL NUMBER |  |
| DRAFT WHERE APPLICABLE<br>MUST REMAIN<br>WITHIN DIMENSIONS  |  | THIRD ANGLE PROJECTION |  | DRAWING   |  | SERIES     |  | CUSTOMER        |  |
|   |  | C-SIZE                 |  | 76015   |  | SEE TABLE  |  | GENERAL MARKET  |  |
|   |  |                        |  |   |  |            |  | SHEET NUMBER    |  |
|   |  |                        |  |   |  |            |  | 3 OF 4          |  |



Orthogonal PCB Layout

| ORTHO PIN MAPPING                |         |         |         |
|----------------------------------|---------|---------|---------|
| OPTION 90 (NEAR SIDE - FAR SIDE) |         |         |         |
| A1b-G4b                          | A2b-E4b | A3b-C4b | A4b-A4b |
| A1a-G4a                          | A2a-E4a | A3a-C4a | A4a-A4a |
| C1b-G3b                          | C2b-E3b | C3b-C3b | C4b-A3b |
| C1a-G3a                          | C2a-E3a | C3a-C3a | C4a-A3a |
| E1b-G2b                          | E2b-E2b | E3b-C2b | E4b-A2b |
| E1a-G2a                          | E2a-E2a | E3a-C2a | E4a-A2a |
| G1b-G1b                          | G2b-E1b | G3b-C1b | G4b-A1b |
| G1a-G1a                          | G2a-E1a | G3a-C1a | G4a-A1a |

| ORTHO PIN MAPPING                 |         |         |         |
|-----------------------------------|---------|---------|---------|
| OPTION 270 (NEAR SIDE - FAR SIDE) |         |         |         |
| A1b-A1a                           | A2b-C1a | A3b-E1a | A4b-G1a |
| A1a-A1b                           | A2a-C1b | A3a-E1b | A4a-G1b |
| C1b-A2a                           | C2b-C2a | C3b-E2a | C4b-G2a |
| C1a-A2b                           | C2a-C2b | C3a-E2b | C4a-G2b |
| E1b-A3a                           | E2b-C3a | E3b-E3a | E4b-G3a |
| E1a-A3b                           | E2a-C3b | E3a-E3b | E4a-G3b |
| G1b-A4a                           | G2b-C4a | G3b-E4a | G4b-G4a |
| G1a-A4b                           | G2a-C4b | G3a-E4b | G4a-G4b |



OPTION 90

OPTION 270

- NOTES:
- SIGNAL PAIRS (SHARED VIAS)
  - NEAR SIDE GROUNDS
  - FAR SIDE GROUNDS

THIS DRAWING CONTAINS INFORMATION THAT IS PROPRIETARY TO MOLEX ELECTRONIC TECHNOLOGIES, LLC AND SHOULD NOT BE USED WITHOUT WRITTEN PERMISSION

|  |        |                                    |            |                                   |                |
|--|--------|------------------------------------|------------|-----------------------------------|----------------|
| DIMENSION UNITS                                      | SCALE  | CURRENT REV DESC: REMASTERED TO NX |            |                                   |                |
| mm   | NTS    |                                    |            |                                   |                |
| GENERAL TOLERANCES (UNLESS SPECIFIED)                |        | EC NO: 671119                      |            | I-TRAC BACKPLANE 7 ROW            |                |
| ANGULAR TOL  | ± 0.5° | DRWN: YOGEEB                       | 2021/04/29 | GUIDE LEFT ASSEMBLY SALES DRAWING |                |
| 4 PLACES   | ±      | CHK'D: VINODM3                     | 2022/02/03 | PRODUCT CUSTOMER DRAWING          |                |
| 3 PLACES   | ±      | APPR: CWANG25                      | 2022/02/18 | DOCUMENT NUMBER                   |                |
| 2 PLACES   | ± 0.13 | INITIAL REVISION:                  |            | SD-76015-002                      |                |
| 1 PLACE  | ± 0.25 | DRWN: BPISZCZOR                    | 2007/02/08 | DOC TYPE                          | DOC PART       |
| 0 PLACES   | ±      | APPR: JLAURX                       | 2007/02/09 | PSD                               | 001            |
| DRAFT WHERE APPLICABLE MUST REMAIN WITHIN DIMENSIONS |        | THIRD ANGLE PROJECTION             | DRAWING    | SERIES                            | SHEET NUMBER   |
|  |        |                                    | C-SIZE     | 76015                             | 4 OF 4         |
|  |        |                                    |            | MATERIAL NUMBER                   | CUSTOMER       |
|  |        |                                    |            | SEE TABLE                         | GENERAL MARKET |