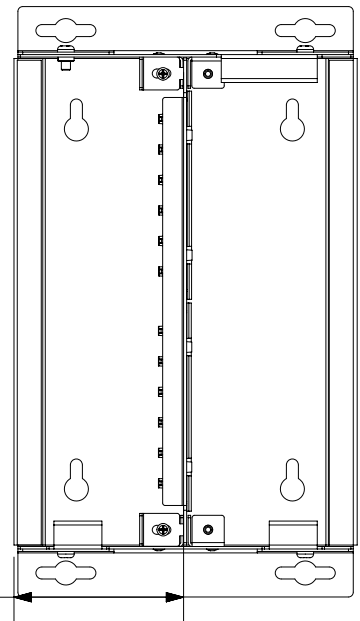
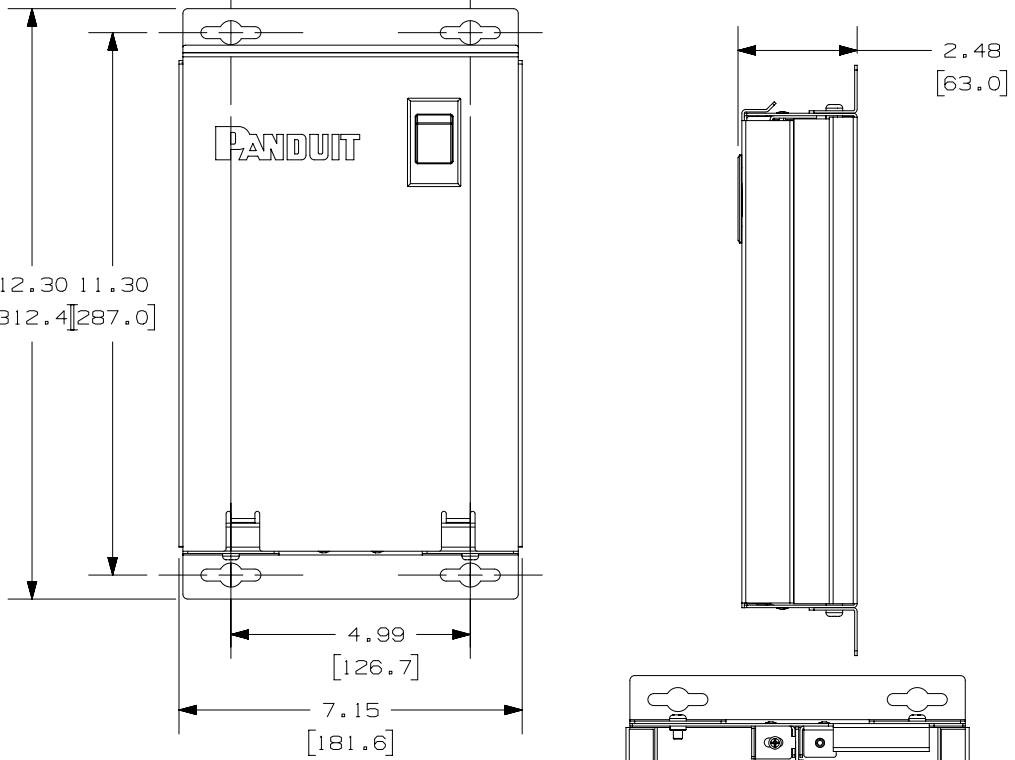


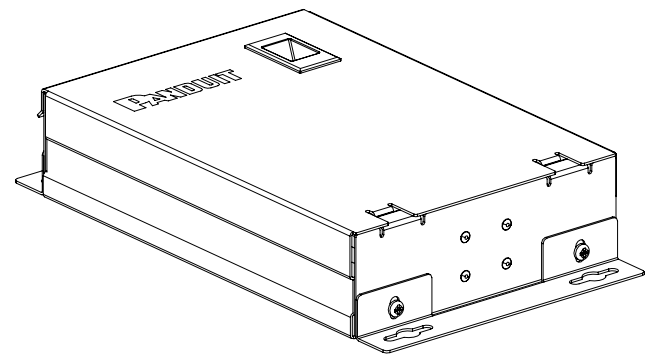
THIS COPY IS PROVIDED ON A RESTRICTED BASIS AND IS NOT TO BE USED IN ANY WAY DETRIMENTAL TO THE INTERESTS OF PANDUIT CORP.

NOTES:

1. VISIT OUR ON-LINE CATALOG AT WWW.PANDUIT.COM FOR A LIST OF CURRENT PARTS APPLICABLE FOR USE WITH THIS PRODUCT.
2. DIMENSIONS IN [] ARE METRIC.
3. ALL MATERIALS AND COMPONENTS USED MEET THE MATERIAL RESTRICTIONS OF RoHS (EUROPEAN DIRECTIVE 2011/65/EU ON THE RESTRICTION OF HAZARDOUS SUBSTANCES) AS PROPOSED BY THE RoHS TECHNICAL ADAPTATION COMMITTEE.
4. WEIGHT: 5 lbs [2268 g]
5. PART INCLUDES: COVER, BASE, 12 PORT MINI-COM PATCH PANEL, EXTERNAL MOUNTING BRACKETS (2), SCREWS (4)



COVER OFF



PART NUMBER		CPB12BL		
TITLE		12 Port Consolidation Point Box		
		CUSTOMER DRAWING		
ITEM REVISION NAME		01335NBG/01		
DATASET FILE NAME		01335NBG_DC/01A		
MATERIAL		SEE NOTE 5		
DRAWING NUMBER		01335NBG-DC		
THIRD ANGLE PROJECTION				
REV	DATE	BY	CHK	SCALE
01A	11-4-19	BJN	BSN	NONE
DESCRIPTION		ECN		SHEET 1 OF 1
RELEASED TO PRODUCTION		M09000KT		A

A-SIZE CUSTOMER

2

1

2

1