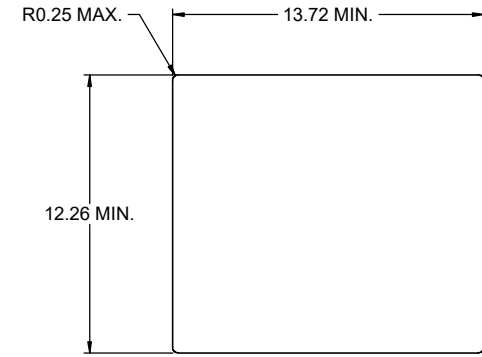
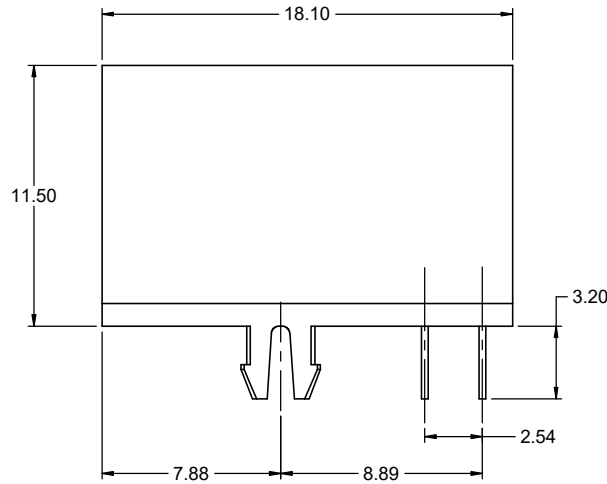
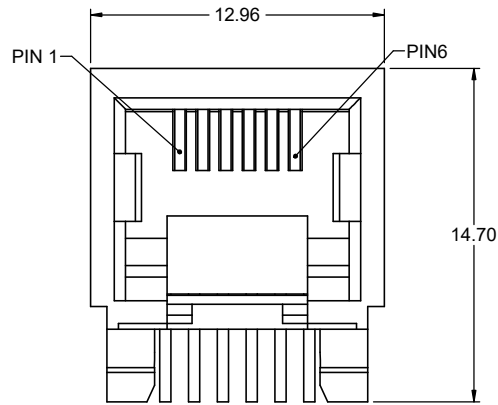
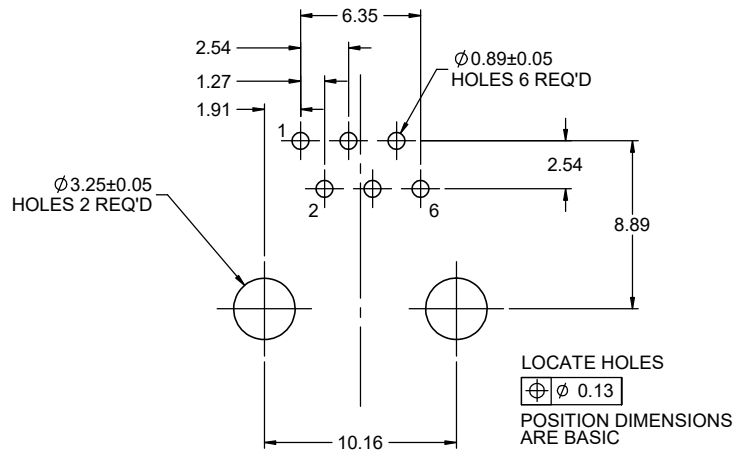


REVISIONS			
REV	DESCRIPTION, ECN, EAR NO.	DATE	APP'D
A	INITIAL DRAWING	MAR19/22	L.CHAN
B	ADD GOLD FLASH PLATING OPTION	DEC29/22	L.CHAN



RECOMMENDED PANEL CUTOUT



RECOMMENDED PCB LAYOUT
(COMPONENT SIDE OF BOARD)

LOCATE HOLES
 $\text{⊕} \text{ } \phi 0.13$
 POSITION DIMENSIONS
 ARE BASIC



NOTES:

PLASTIC HOUSING: HIGH TEMP ENGINEERING THERMOPLASTIC
 FLAMMABILITY RATING UL94V-0,
 COLOR:BLACK

CONTACTS: PHOSPHOR BRONZE
 PLATING: REFER PART NUMBER FOR GOLD
 THICKNESS ON MATING SURFACES.
 50 μ " [1.27 MICRONS]
 MIN. NICKEL UNDERPLATE.
 100 μ " [2.54 MICRONS]
 MIN. MATTE-TIN OR GOLD FLASH ON
 CONTACT TAILS.

RECOMMENDED SOLDERING TEMPERATURE:
 WAVE SOLDERING AT 260 °C MAXIMUM FOR 5-8 SEC.

PACKAGING: TRAY PACKAGING.

AMPHENOL PART NUMBER: RJE05-166-0X10-H

GOLD PLATING
 1 = 6 μ "
 2 = 15 μ "
 3 = 30 μ "
 4 = 50 μ "
 5 = GOLD FLASH

UNLESS SPECIFIED OTHERWISE	DRAWN	MAR20/22	Amphenol Canada Corp. Commercial Products
PRIMARY UNITS: MILLIMETERS	CHECKED	MAR20/22	
SECONDARY	M.E. APP'D		
REFERENCE IN PARENTHESES	Q.A. APP'D		
GENERAL TOLERANCES	DWG APPR.	MAR20/22	RJE05 SERIES, MODULAR JACK, 6P6C, UNSHIELDED, ULTRA LOW PROFILE -RoHS COMPLIANT
1 DECIMAL PLACE ± 0.15	ENG. REL. NO.		
2 DECIMAL PLACES ± 0.10	REF.		DWG. NO.
3 DECIMAL PLACES ± 0.05	THIRD ANGLE PROJECTION		P-RJE05-166-0X10-H
ANGULAR DEGREES $\pm 1.0^\circ$	DO NOT SCALE DRAWING		REV B
			CODE ID NO. 03554 DWG SIZE: X SCALE: 6:1 SHEET 1 OF 1