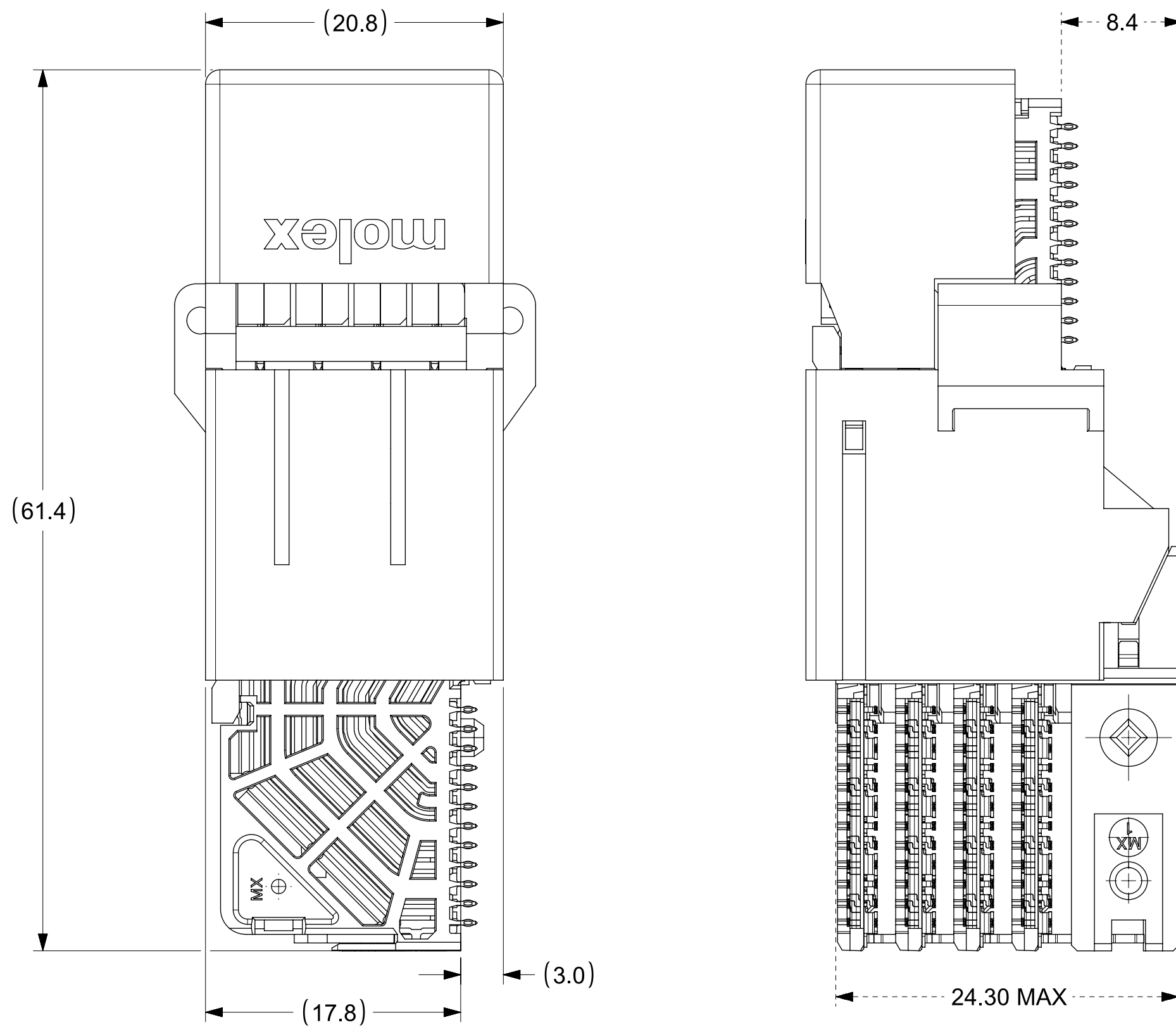


## OD- RAM HOLE PATTERN (CONNECTOR SIDE)

THIS DRAWING CONTAINS INFORMATION THAT IS PROPRIETARY TO MOLEX ELECTRONIC TECHNOLOGIES, LLC AND SHOULD NOT BE USED WITHOUT WRITTEN PERMISSION											
DIMENSION UNITS	SCALE	CURRENT REV DESC: MIGRATED TO NX					molex				
mm	NTS						IMPACT ORTHOGONAL DIRECT 4 PAIR RAM 90 & 270 ASSY BOTTOM GUIDE SALES DWG				
GENERAL TOLERANCES (UNLESS SPECIFIED)		EC NO: 705090					PRODUCT CUSTOMER DRAWING				
ANGULAR TOL ± 0.5°		DRWN: MMALLIGEVALU 2018/08/31					DOCUMENT NUMBER				
4 PLACES ±		CHK'D: VINODM3 2022/02/17					SD-171574-0003				
3 PLACES ±		APPR: LZENG 2022/05/13					DOC TYPE DOC PART REVISION				
2 PLACES ± 0.13		INITIAL REVISION:					PSD 001 B3				
1 PLACE ± 0.25		DRWN: JMENDOZA 2012/10/23					MATERIAL NUMBER				
0 PLACES ±		APPR: JMENDOZA 2012/12/07					CUSTOMER				
DRAFT WHERE APPLICABLE MUST REMAIN WITHIN DIMENSIONS		THIRD ANGLE PROJECTION		DRAWING		SERIES		SHEET NUMBER		GENERAL MARKET	
				C-SIZE		171574		SEE TABLE		1 OF 4	



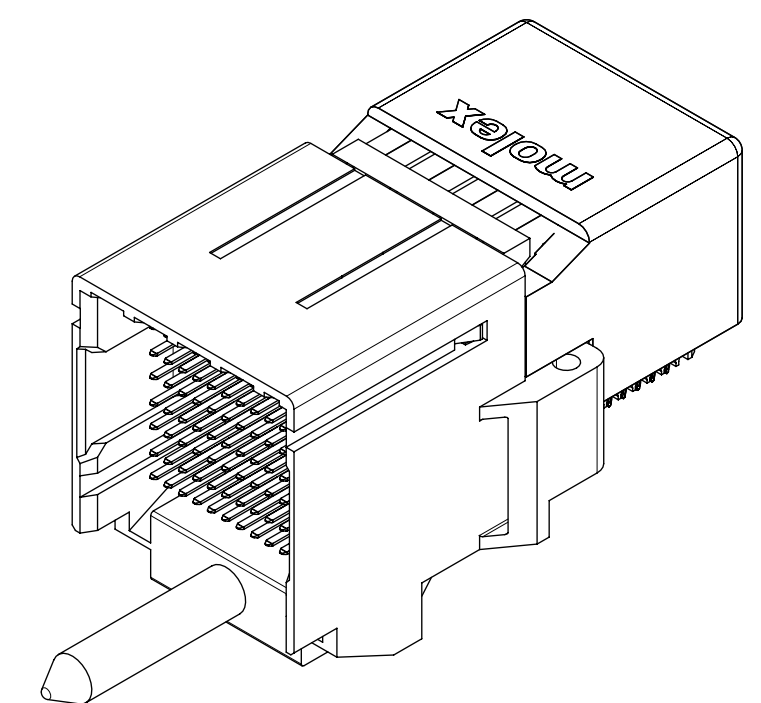
**171574-98\*\***

MODULE TYPE  
9 = BOTTOM GUIDED, TIN

# OF COLUMNS  
8 = 8 COLUMN

PIN LENGTH (P)  
4 = 4.90 (0.46 PTH)  
5 = 5.50 (0.46 PTH)  
7 = 4.90 (0.39 PTH)  
8 = 5.50 (0.39 PTH)

MATE POSITION  
0 = 90 DEGREE  
3 = 270 DEGREE



## MATED DIMENSIONS

(POSITION 90° SHOWN)

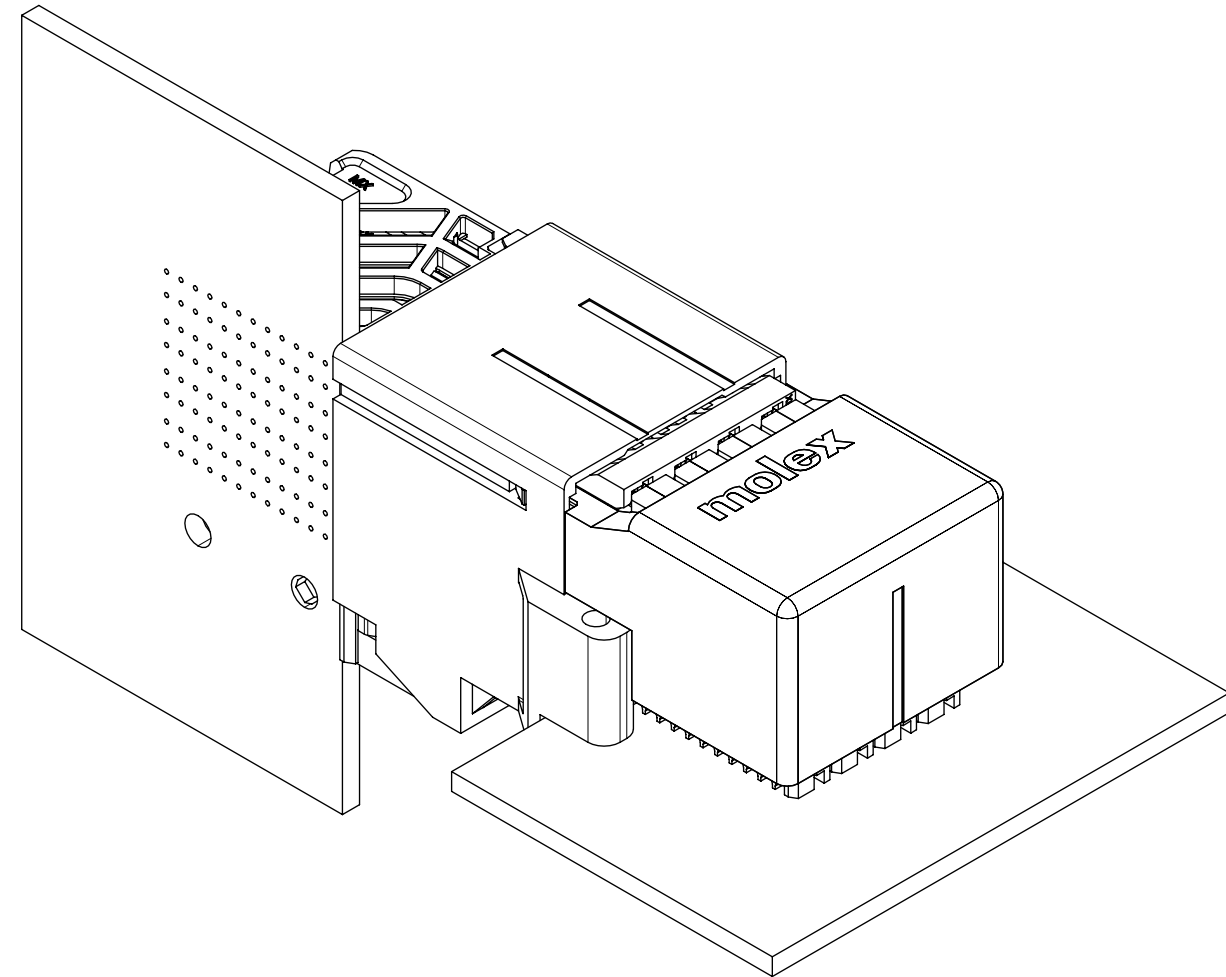
- NOTES:
- MATERIALS: HOUSING - LIQUID CRYSTAL POLYMER (LCP)  
GLASS-FILLED, UL94V-0  
TERMINALS - HIGH PERFORMANCE COPPER ALLOY
  - FINISH: 30μ MIN GOLD IN CONTACT AREA.  
SELECTIVE TIN ON PCB TAILS.  
NICKEL OVERALL.
  - REFER TO MOLEX PRODUCT SPECIFICATION PS-76060-999  
FOR PERFORMANCE SPECIFICATIONS AND ADDITIONAL PCB INFORMATION.
  - THIS PART CONFORMS TO CLASS B REQUIREMENTS OF  
COSMETIC SPEC PS-45499-002.
  - PACKAGE PER: PK-70873-8021.
  - SEE SHEET 3 FOR ORTHOGONAL PIN MAPPING.
  - REFER TO SHEET 3 AND 4 FOR THE MATING RECEPTACLES.
  - REFER TO MOLEX ROUTING GUIDE AS-76850-990 FOR ADDITIONAL PCB LAYOUT  
AND ROUTING RECOMMENDATIONS.
  - CONNECTORS ARE SUPPLIED WITH TWO 2-32 THREAD FORMING  
SCREWS.
  - THESE DIMENSIONS REPRESENT THE AREA NEEDED TO ACCOMODATE CONNECTOR  
INSERTION AND REPAIR ON THE PC BOARD. THIS IS REFERED TO AS THE  
"CONNECTOR KEEP OUT ZONE" AND DOES NOT REPRESENT THE ACTUAL PERIMETER  
OF THE CONNECTOR.
  - MARKING: LOCATED APPROXIMATELY AS SHOWN, ON BOTTOM OR TOP HOUSING.  
PART NUMBER AND DATE CODE.

THIS DRAWING CONTAINS INFORMATION THAT IS PROPRIETARY TO MOLEX ELECTRONIC TECHNOLOGIES, LLC AND SHOULD NOT BE USED WITHOUT WRITTEN PERMISSION									
DIMENSION UNITS		SCALE		CURRENT REV DESC: MIGRATED TO NX				<b>molex</b>	
mm		NTS							
GENERAL TOLERANCES (UNLESS SPECIFIED)				EC NO: 705090				IMPACT ORTHOGONAL DIRECT 4 PAIR RAM 90 & 270 ASSY BOTTOM GUIDE SALES DWG	
ANGULAR TOL ± 0.5°				DRWN: MMALLIGEVALU 2018/08/31					
4 PLACES ±				CHK'D: VINODM3 2022/02/17				PRODUCT CUSTOMER DRAWING	
3 PLACES ±				APPR: LZENG 2022/05/13					
2 PLACES ± 0.13				INITIAL REVISION:				DOCUMENT NUMBER	
1 PLACE ± 0.25				DRWN: JMENDOZA 2012/10/23					
0 PLACES ±				APPR: JMENDOZA 2012/12/07				SD-171574-0003	
DRAFT WHERE APPLICABLE MUST REMAIN WITHIN DIMENSIONS		THIRD ANGLE PROJECTION		DRAWING		SERIES		SHEET NUMBER	
		C-SIZE		171574		SEE TABLE		2 OF 4	

DOCUMENT STATUS	P1	RELEASE DATE	2022/05/13	03:05:10
-----------------	----	--------------	------------	----------

# ORTHO POSITION 90°

OD-RAM PIN A1 MAPS  
TO RAF PIN M8



REFER TO MOLEX SALES DRAWING SD-76850-004  
FOR MATING RECEPTACLES.

## ORTHO PIN MAPPING


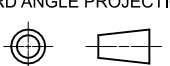
POSITION 90° (OD RAM - RAF)

(A1-M8)	A2-L8	(A3-J8)	A4-H8	(A5-F8)	A6-E8	(A7-C8)	A8-B8
B1-M7	B2-K8	B3-J7	B4-G8	B5-F7	B6-D8	B7-C7	B8-A8
C1-L7	(C2-K7)	C3-H7	(C4-G7)	C5-E7	(C6-D7)	C7-B7	(C8-A7)
(D1-M6)	D2-L6	(D3-J6)	D4-H6	(D5-F6)	D6-E6	(D7-C6)	D8-B6
E1-M5	E2-K6	E3-J5	E4-G6	E5-F5	E6-D6	E7-C5	E8-A6
F1-L5	(F2-K5)	F3-H5	(F4-G5)	F5-E5	(F6-D5)	F7-B5	(F8-A5)
(G1-M4)	G2-L4	(G3-J4)	G4-H4	(G5-F4)	G6-E4	(G7-C4)	G8-B4
H1-M3	H2-K4	H3-J3	H4-G4	H5-F3	H6-D4	H7-C3	H8-A4
J1-L3	(J2-K3)	J3-H3	(J4-G3)	J5-E3	(J6-D3)	J7-B3	(J8-A3)
(K1-M2)	K2-L2	(K3-J2)	K4-H2	(K5-F2)	K6-E2	(K7-C2)	K8-B2
L1-M1	L2-K2	L3-J1	L4-G2	L5-F1	L6-D2	L7-C1	L8-A2
M1-L1	(M2-K1)	M3-H1	(M4-G1)	M5-E1	(M6-D1)	M7-B1	(M8-A1)

NOTE: PINOUTS SHOWN IN BALLOONS ARE GROUNDS.  
GROUND PATHS ARE NOT DISCRETE CIRCUITS.

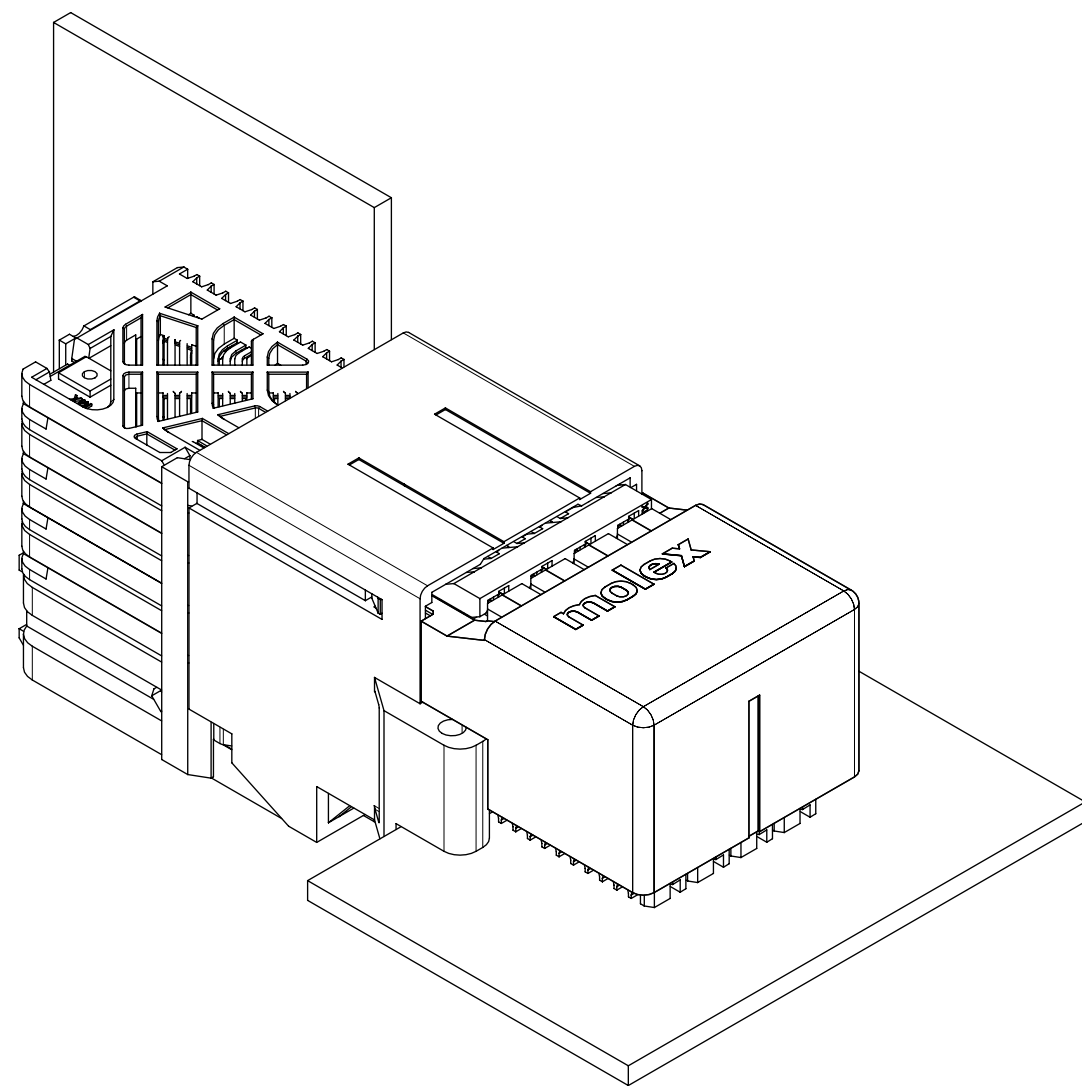
MATERIAL NUMBER	# OF COLUMNS	# OF DIFF PAIR	MATE POSITION	DIM P	PTH Ø
171574-9804	8	32	90	4.90	0.46±0.05
171574-9805	8	32	90	5.50	0.46±0.05
171574-9807	8	32	90	4.90	0.39±0.05
171574-9808	8	32	90	5.50	0.39±0.05

THIS DRAWING CONTAINS INFORMATION THAT IS PROPRIETARY TO MOLEX ELECTRONIC TECHNOLOGIES, LLC AND SHOULD NOT BE USED WITHOUT WRITTEN PERMISSION

DIMENSION UNITS	SCALE	CURRENT REV DESC: MIGRATED TO NX					
mm	NTS						
GENERAL TOLERANCES (UNLESS SPECIFIED)		EC NO: 705090		IMPACT ORTHOGONAL DIRECT 4 PAIR RAM 90 & 270 ASSY BOTTOM GUIDE SALES DWG			
ANGULAR TOL	± 0.5°	DRWN: MMALLIGEVALU	2018/08/31	PRODUCT CUSTOMER DRAWING			
4 PLACES	±	CHK'D: VINODM3	2022/02/17	DOCUMENT NUMBER			
3 PLACES	±	APPR: LZENG	2022/05/13	SD-171574-0003		DOC TYPE	
2 PLACES	± 0.13	INITIAL REVISION:		PSD	DOC PART	REVISION	
1 PLACE	± 0.25	DRWN: JMENDOZA	2012/10/23	001	001	B3	
0 PLACES	±	APPR: JMENDOZA	2012/12/07	SHEET NUMBER			
DRAFT WHERE APPLICABLE MUST REMAIN WITHIN DIMENSIONS		THIRD ANGLE PROJECTION	DRAWING	SERIES	MATERIAL NUMBER	CUSTOMER	SHEET NUMBER
			C-SIZE	171574	SEE TABLE	GENERAL MARKET	3 OF 4

# ORTHO POSITION 270°

OD-RAM PIN A1 MAPS  
TO RAF PIN A1



REFER TO MOLEX SALES DRAWING SD-76850-002  
FOR MATING RECEPTACLES.

## ORTHO PIN MAPPING


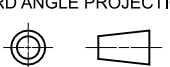
POSITION 270° (OD RAM - RAF)

A1-A1	A2-B1	A3-D1	A4-E1	A5-G1	A6-H1	A7-K1	A8-L1
B1-A2	B2-C1	B3-D2	B4-F1	B5-G2	B6-J1	B7-K2	B8-M1
C1-B2	C2-C2	C3-E2	C4-F2	C5-H2	C6-J2	C7-L2	C8-M2
D1-A3	D2-B3	D3-D3	D4-E3	D5-G3	D6-H3	D7-K3	D8-L3
E1-A4	E2-C3	E3-D4	E4-F3	E5-G4	E6-J3	E7-K4	E8-M3
F1-B4	F2-C4	F3-E4	F4-F4	F5-H4	F6-J4	F7-L4	F8-M4
G1-A5	G2-B5	G3-D5	G4-E5	G5-G5	G6-H5	G7-K5	G8-L5
H1-A6	H2-C5	H3-D6	H4-F5	H5-G6	H6-J5	H7-K6	H8-M5
J1-B6	J2-C6	J3-E6	J4-F6	J5-H6	J6-J6	J7-L6	J8-M6
K1-A7	K2-B7	K3-D7	K4-E7	K5-G7	K6-H7	K7-K7	K8-L7
L1-A8	L2-C7	L3-D8	L4-F7	L5-G8	L6-J7	L7-K8	L8-M7
M1-B8	M2-C8	M3-E8	M4-F8	M5-H8	M6-J8	M7-L8	M8-M8

NOTE: PINOUTS SHOWN IN BALLOONS ARE GROUNDS.  
GROUND PATHS ARE NOT DISCRETE CIRCUITS.

MATERIAL NUMBER	# OF COLUMNS	# OF DIFF PAIR	MATE POSITION	DIM P	PTH Ø
171574-9834	8	32	270	4.90	0.46±0.05
171574-9835	8	32	270	5.50	0.46±0.05
171574-9837	8	32	270	4.90	0.39±0.05
171574-9838	8	32	270	5.50	0.39±0.05

THIS DRAWING CONTAINS INFORMATION THAT IS PROPRIETARY TO MOLEX ELECTRONIC TECHNOLOGIES, LLC AND SHOULD NOT BE USED WITHOUT WRITTEN PERMISSION

DIMENSION UNITS	SCALE	CURRENT REV DESC: MIGRATED TO NX				
mm	NTS					
GENERAL TOLERANCES (UNLESS SPECIFIED)		EC NO: 705090		IMPACT ORTHOGONAL DIRECT 4 PAIR RAM 90 & 270 ASSY BOTTOM GUIDE SALES DWG		
ANGULAR TOL	± 0.5°	DRWN: MMALLIGEVALU	2018/08/31	PRODUCT CUSTOMER DRAWING		
4 PLACES	±	CHK'D: VINODM3	2022/02/17	DOCUMENT NUMBER		
3 PLACES	±	APPR: LZENG	2022/05/13	SD-171574-0003		
2 PLACES	± 0.13	INITIAL REVISION:		DOC TYPE	DOC PART	REVISION
1 PLACE	± 0.25	DRWN: JMENDOZA	2012/10/23	PSD	001	B3
0 PLACES	±	APPR: JMENDOZA	2012/12/07	SHEET NUMBER		
DRAFT WHERE APPLICABLE MUST REMAIN WITHIN DIMENSIONS		THIRD ANGLE PROJECTION	DRAWING	SERIES	MATERIAL NUMBER	CUSTOMER
			C-SIZE	171574	SEE TABLE	GENERAL MARKET
						4 OF 4

DOCUMENT STATUS	P1	RELEASE DATE	2022/05/13	03:05:10
-----------------	----	--------------	------------	----------