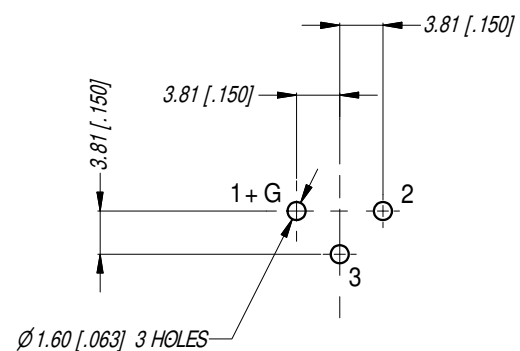


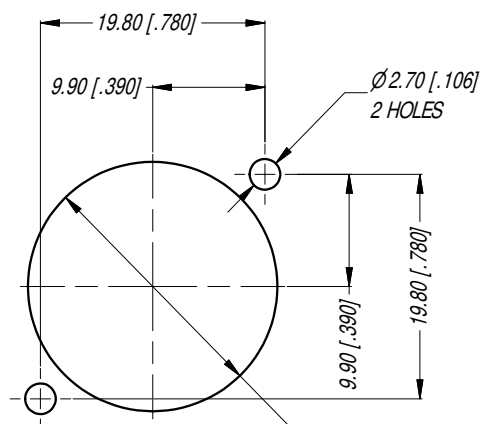
MIN MOUNTING PITCH (1:1)



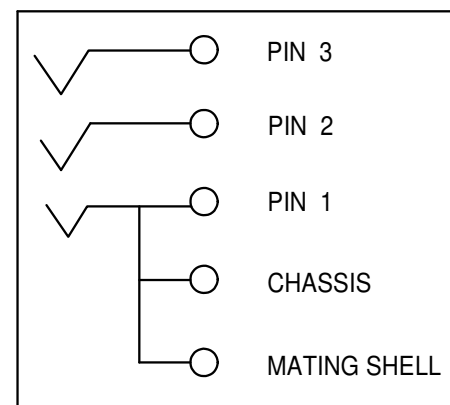
PCB LAYOUT

TOLERANCE:  $\pm 0.05$  [ $\pm .002$ ]

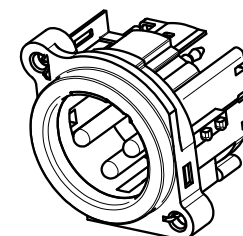
NOTES: DIMENSIONS IN PARENTHESES ARE IN INCHES



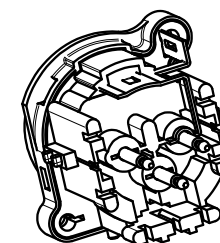
PANEL CUT OUT  
REAR VIEW



SCHEMATIC CHART



3D VIEW (1:1)



REV	DESCRIPTION	DATE	BY	CHG No
2	ADD SUFFIX B TO PART No.	27/08/15	T.N	9318
1	ADD SCHEMATIC CHART	06/26/09	A.O	8793
0	FIRST ISSUE	03/09/07	T.N	8686

REVISION HISTORY

UNLESS OTHERWISE SPECIFIED TOLERANCE TO BE:		THIS DOCUMENT IS THE PROPERTY OF AMPHENOL AUSTRALIA PTY. LTD. NO PART THEREOF MAY BE REPRODUCED AND USED WITHOUT THE PRIOR WRITTEN CONSENT OF THE OWNER			
LINEAR	ANGULAR	CAD FILE	DRN:	T.N	DATE:
X ± 0.5	X° ± 1	55010483000211	CKD:	P.N	04/09/07
X.X ± 0.1	X.X° ± 30°	MATL:	REFER TO COMPONENTS	DATE:	06/26/09
X.XX ± 0.05	X.XX° ± 15°	FINISH:	REFER TO COMPONENTS	DATE:	06/26/09
BREAK ALL SHARP EDGES AND REMOVE ALL BURRS		DO NOT SCALE	APPD:	P.M	SCALE:
DIMENSIONS IN MILLIMETRES		THIRD ANGLE PROJECTION		SCALE:	1.5:1

TITLE:  
**XLR MALE  
B TYPE CONNECTOR  
CUSTOMER DWG**

**Amphenol**  
Amphenol Australia Pty.Ltd. 2 Fiveways Blvd. Keysborough, Vic3173  
DRAWING NO. 55010483-000-2 SHEET 2/2

NOTE: SUFFIX "B" IN THE PART No. INDICATES BULK PACK