

THIS DRAWING IS UNPUBLISHED. RELEASED FOR PUBLICATION
 © COPYRIGHT BY TYCO ELECTRONICS CORPORATION. ALL INTERNATIONAL RIGHTS RESERVED.

LOC		DIST		REVISIONS			
P	LTR	DESCRIPTION	DATE	DWN	APVD		
B		REV PER ECR-08-031840	18DEC2008	DDE	CB		
B1		REVISE NOTE 2	12MAR2009	BB	SB		
B2		REV PER ECR-10-016231	09AUG2010	IL	CT		

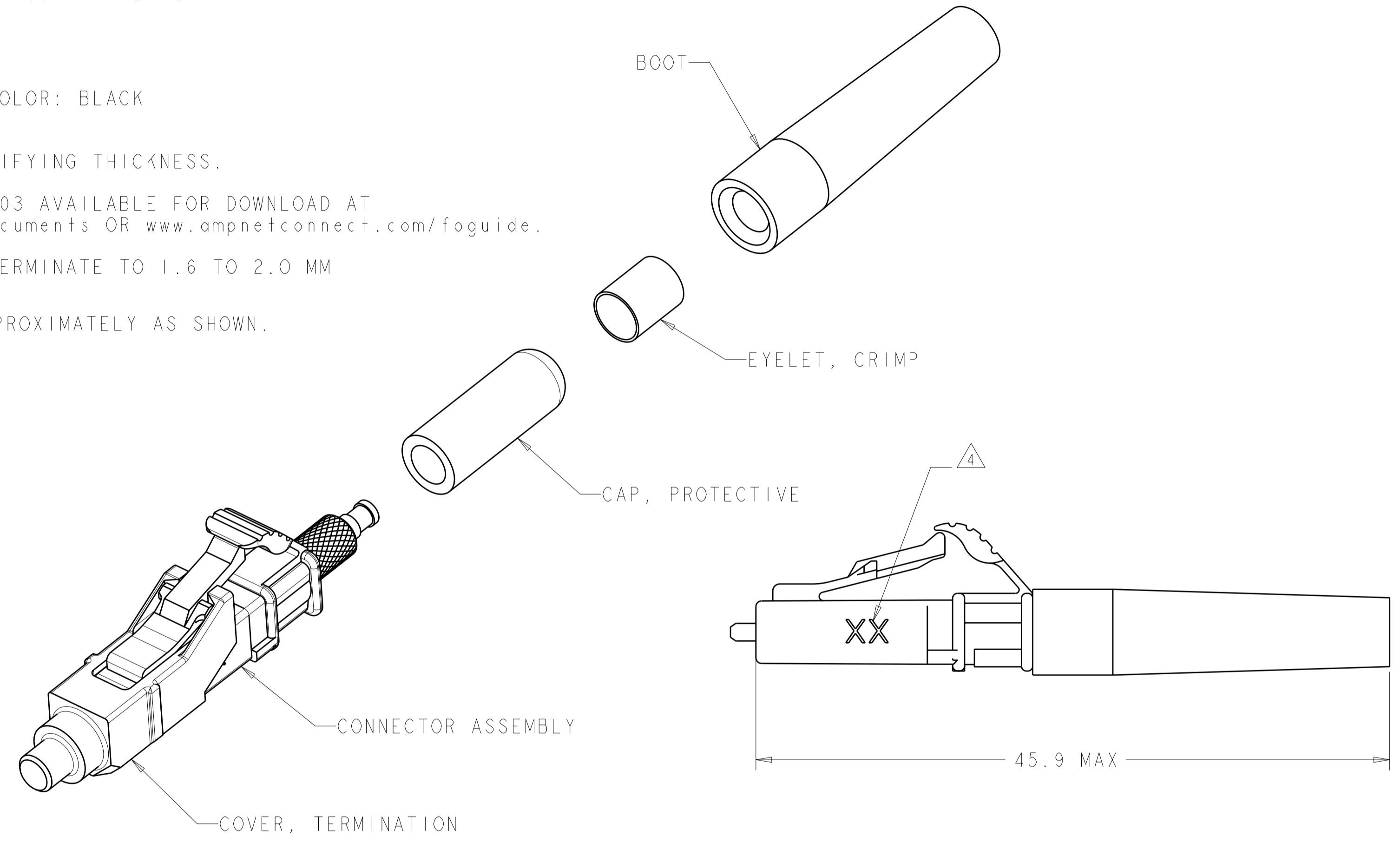
⚠ MATERIAL:
 CONNECTOR ASSEMBLY:
 CONNECTOR HOUSING: PPSU, COLOR: BLUE *
 REAR BODY: METAL
 COMPRESSION SPRING: METAL
 FERRULE SUB ASSEMBLY: ZIRCONIA/ METAL
 INTERNAL SPLICE: PEI *
 PLUNGER: METAL
 BOOT: TPE, COLOR: BLUE
 EYELET: TIN PLATED BRASS
 TERMINATION COVER: PBT, COLOR: BLACK
 PROTECTIVE CAP: VINYL

* UL 94 V-0 RATED AT QUALIFYING THICKNESS.

2. INSTRUCTION SHEET: 408-10103 AVAILABLE FOR DOWNLOAD AT
www.tycoelectronics.com/documents OR www.ampnetconnect.com/foguide.

3. IMPORTANT: THIS KIT WILL TERMINATE TO 1.6 TO 2.0 MM
 LOOSE JACKETED CABLE ONLY.

⚠ MARK WITH "SM" LOCATED APPROXIMATELY AS SHOWN.



1918626-1
 PART NO.

THIS DRAWING IS A CONTROLLED DOCUMENT FOR TYCO ELECTRONICS CORPORATION. IT IS SUBJECT TO CHANGE AND THE CONTROLLING ENGINEERING ORGANIZATION SHOULD BE CONTACTED FOR THE LATEST REVISION.		DWN D. ERDMAN 19 JUN 2006	Tyco Electronics Corporation Shanghai, China	
DIMENSIONS: mm		CHK M. GURRERI 19 JUN 2006	NAME KIT, CONNECTOR, LightCrimp Plus LC SIMPLEX, SM, 1.6 - 2.0MM JACKET	
TOLERANCES UNLESS OTHERWISE SPECIFIED: 0 PLC ± 1 PLC ± 2 PLC ± 3 PLC ± 4 PLC ± ANGLES ± FINISH		APVD D. BAECHEL 19 JUN 2006	PRODUCT SPEC -	RESTRICTED TO -
MATERIAL		APPLICATION SPEC -	WEIGHT -	SIZE A2
⚠		CUSTOMER DRAWING		SCALE 4:1 SHEET 1 OF 1 REV B2