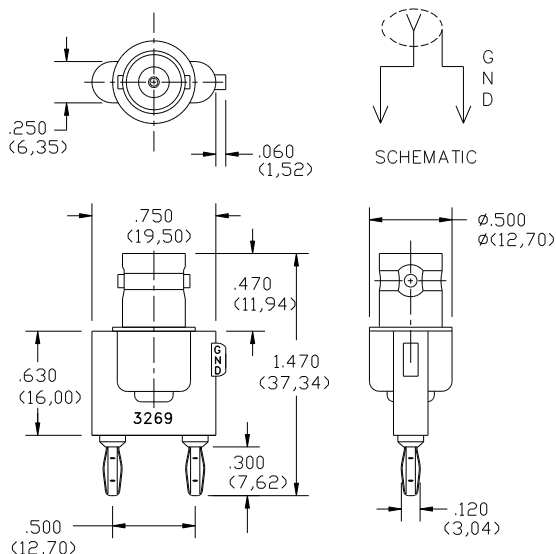


**Model 3269**  
**Adapter, BNC Female to Miniature Double Banana Plug**



**Features**

- Allows a BNC male connection to be used with equipment having 0.5" (12.7mm) spaced miniature 0.104" (2.4mm) diameter banana jacks
- Excellent for adapting test equipment to BNC coaxial cables

**Materials**

- Upper Conn: BNC Female  
 Finish: Tarnish Resistant  
 Center Contact: Gold Plated  
 Insulation: ABS molded to BNC male and Banana Plug  
 Color: Black
- Lower Conn: Miniature Double Banana Plug  
 Material: Spring, Beryllium Copper  
 Plug Body: Brass  
 Finish: Gold Plated

**Ratings**

- Operating Temperature: +50° C. (+122° F.) Max.  
 Operating Voltage: 500 Vrms, Maximum voltage for hands free use in controlled voltage environment.  
 For CE compliance, do not hold in hand when voltages exceed 30V AC / 60V DC.

**Ordering Information:** Model 3269

**USA:** Sales: 800-490-2361  
 Technical Support: [technicalsupport@pomonatest.com](mailto:technicalsupport@pomonatest.com)  
 Fax: 425-446-5844  
**Europe:** 31-(0) 40 2675 150 **International:** 425-446-5500  
**Where to Buy:** [www.pomonaelectronics.com](http://www.pomonaelectronics.com)

All dimensions are in inches. Tolerances (except noted): .xx = ±.02" (.51 mm), .xxx = ±.005" (.127 mm). All specifications are to the latest revisions. Specifications are subject to change without notice. Registered trademarks are the property of their respective companies.