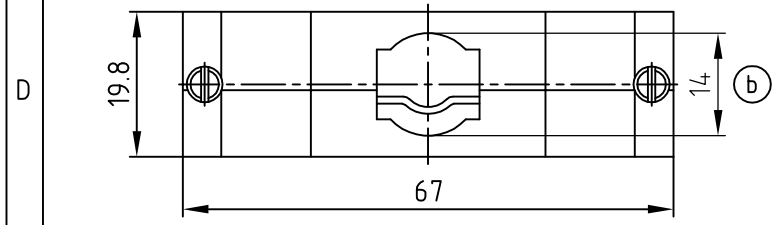
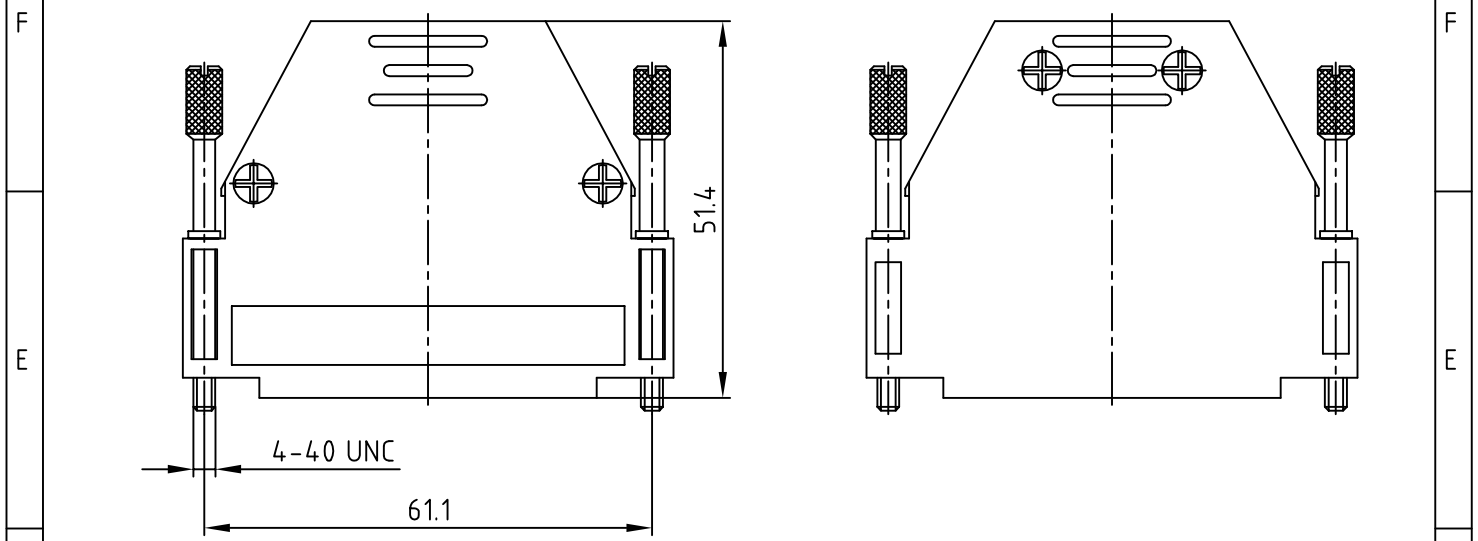


4 3 2 1

used for: D-SUB





Part No. Bulk package	Part No. Single package
165X10179X	165X10179XE

General tolerances			
size in mm			
> 0.5 up to 3	> 3 up to 6	> 6 up to 30	> 30 up to 120
tolerances			
±0.1	±0.2	±0.2	±0.3

NOTES:
 SELF CUTTING HOUSING SCREWS
 MATERIAL: ABS BLACK
 STRAIGHT CABLE OUTLET WITH PREASSEMBLED METAL STRAIN RELIEF
 TWO MOBILE ASSEMBLED SCREWS FOR FIXING THE COUNTERPART
 TEMPERATURE RANGE: -40°C TO +85°C

RoHS compliant

THIS DRAWING MAY NOT BE COPIED OR REPRODUCED IN ANY WAY, AND MAY NOT BE PASSED ON TO A THIRD PARTY WITHOUT WRITTEN PERMISSION. OWNERSHIP AND COPYRIGHT OF CONEC GmbH DO NOT ALTER CAD DRAWING BY HAND				tolerance SEE TABLE	 dim. in mm	scale: 1:1	
						material: SEE NOTES	
				2009	date	name	title: PLASTIC HOOD 50pos. with straight cable exit, jack screws
				drawn	31.08.	Lehmenkühler	
				appd.	31.08.	Koch	
			norm				
			d-old			dwg no: 16K1A2534 part no: SEE TABLE	
1 x b	Ä5676	11.06.2015	K.H.				DIN-A 4
a	Original						sh: 1/1
rev.	description	date	name				

4 3 2 1