

6

5

4

3

2

1

E

E

86.5 FT
REFERENCE

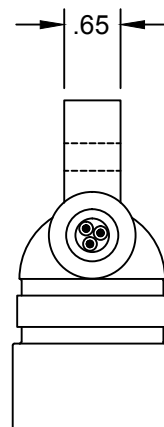
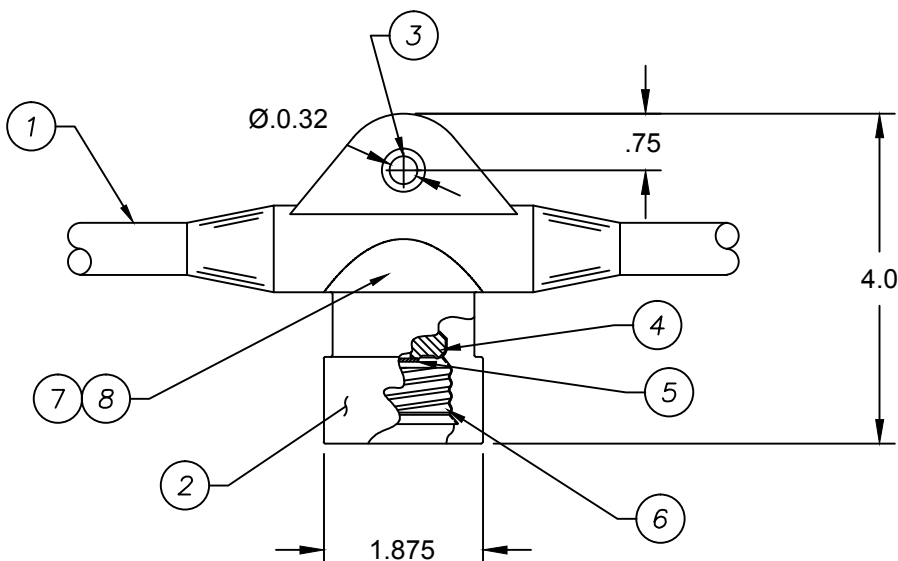
15 FT. ± 6 IN.
LEAD

1 FT. ± 2.0 IN.
71 PLACES

6 IN.
TAIL

[QTY-72] 323 MOLDED SOCKETS
COLOR: BLACK

#12-3 SOOW CORD
COLOR: BLACK



323 DETAIL

ITEM	DESCRIPTION	MATERIAL
1	#12-3 BLACK CABLE	SOOW/COPPER
2	MOLDED SOCKETS BLACK	NITRILE/PVC
3	EYELET	BRASS
4	BUTTON WHITE	PORCELAIN
5	RIVET	BRASS
6	SCREWSHELL	COOPER
7	1 CONDUCTOR WIRE BLACK	NEOPRENE
8	1 CONDUCTOR WIRE WHITE	NEOPRENE

C

C

B

B

A

A

CUSTOMER APPROVAL DRWG EC NO: IPCG2014-0028 DRWN: HRUIZ01 2013/07/02 CHKD: HKNEELAN APPR: JFMURPHY 2014/01/28	QUALITY SYMBOLS	DESCRIPTION
	▽=0	
	∇=0	
	REV	

GENERAL TOLERANCES (UNLESS SPECIFIED)	
	INCH
4 PLACES	±---
3 PLACES	±--- ±.005
2 PLACES	±--- ±.010
1 PLACE	±--- ±.020
ANGULAR ±1/2°	
DRAFT WHERE APPLICABLE MUST REMAIN WITHIN DIMENSIONS	

DIMENSION STYLE	
INCH	
DRAWN BY	DATE
HRUIZ01	2013/07/02
CHECKED BY	DATE
HKNEELAN	2013/07/02
APPROVED BY	DATE
JFMURPHY	2014/01/28
MATERIAL NO.	130106-0178
SIZE	A

SCALE	DESIGN UNITS	THIRD ANGLE PROJECTION
NTS	INCH	
TITLE		
STRNGLGHT 86.5' ALL BLK (72) 323 SCKTS, 1' SPNGS 15' LDR AND 6"TAIL		
MOLEX INCORPORATED		
MATERIAL NO.	DOCUMENT NO.	SHEET NO.
130106-0178	SD-130106-037	1 OF 1
THIS DRAWING CONTAINS INFORMATION THAT IS PROPRIETARY TO MOLEX INCORPORATED AND SHOULD NOT BE USED WITHOUT WRITTEN PERMISSION		

6

5

4

3

2

1