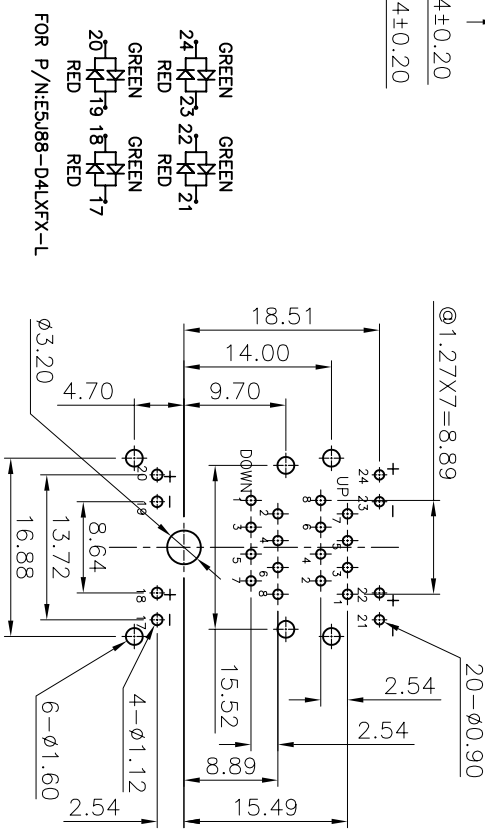
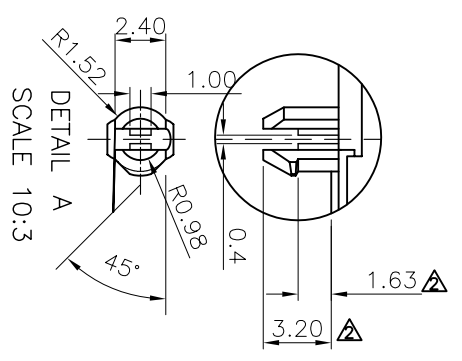
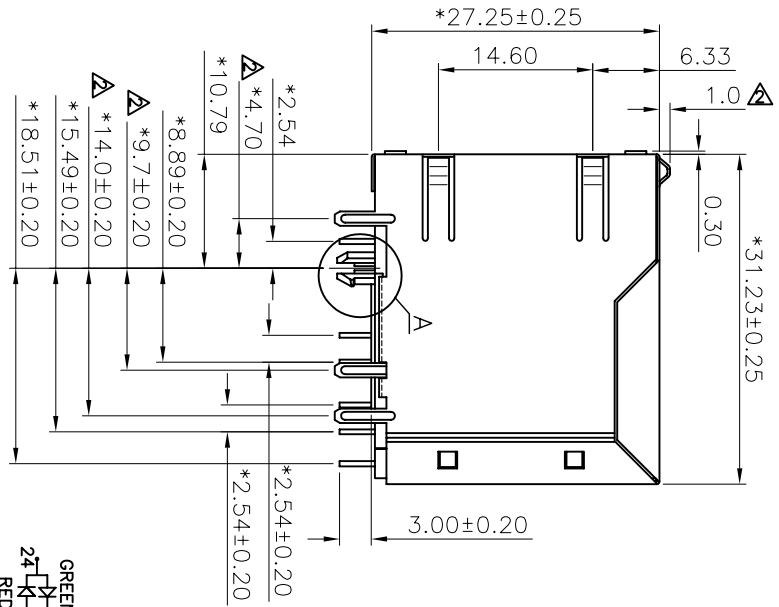
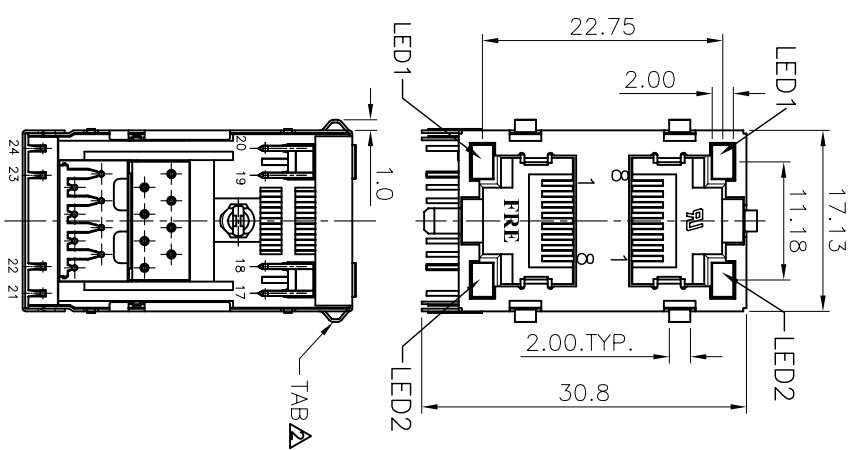


| REVISION RECORD | | | |
|-----------------|-----|-----------------------|---------------------|
| REV | ECO | DESCRIPTION | CHKD |
| △ | | ERASE P/N | YANGLIAN 7/07/05 |
| △ | | MODIFY NOTE&DIMENSION | Rik 08/18/05 |



PC Board Layout t=1.6mm
Component Side Shown

ROHS PART NUMBER: ESJ88-XXL3FX-L

- A-LED1:GREEN, LED2:GREEN
 - B-LED1:GREEN, LED2:ORANGE
 - C-LED1:GREEN, LED2:YELLOW
 - L-LED1:YELLOW, LED2:GREEN
 - D-LED1:G+R, LED2:G+R
 - F-LED1:ORANGE, LED2:GREEN
- GOLD OPTION:
 1- 3u" 2- 6u" 3- 15u"
 4- 30u" 5- 50u"
 1- NO TAB
 4- TOP TABS & SIDE TABS

RoHS Compliant/RoHS 6

- NOTES:**
- ELECTRICAL:**
- VOLTAGE RATING : 125 VAC RMS.
 - CURRENT RATING : 1.5 AMP.
 - CONTACT RESISTANCE : 50 MILLIOHMS MAX.
 - INSULATION RESISTANCE: 1000 MEGOHMS MIN @ 500 VDC.
 - DIELECTRIC STRENGTH : 1000 VAC RMS 60Hz, 1MIN.
- MECHANICAL:**
- HOUSING MATERIAL : NYLON+30%G.F. UL94V-0. △
 - CONTACT MATERIAL : PHOSPHOR BRONZE Ø0.46mm.
 - PLATING : 1: CONTACT AREA- SELECTIVE GOLD PLATING. △
2: TAILS- 150u" TIN MIN OVER 50u" NICKEL. △
 - OPERATING LIFE : 750 CYCLES MIN.
 - PCB RETENTION PRE-SOLDER : 1 LB MIN.
 - PCB RETENTION POST-SOLDER: 10 LBS MIN.
 - LED COLOR : OPTION △
- ENVIRONMENTAL:**
- STORAGE : -40°C TO +85°C.
 - OPERATION: -40°C TO +85°C.
 - WAVE SOLDERING TEMPERATURE: 255~265°C(5~10 SECONDS) △
 - RoHS Compliant/RoHS 6
- MATES WITH MODULAR PLUG CONFORMING TO FCC PART 68, SUBPART F.

| DETACHED LISTS | | DFTO YANGLIAN | | DATE | | DATE | | DATE | |
|--|--------|---------------|-----|-------|------|----------|------|-------------|------|
| MM | (INCH) | CHKD | MFO | APPL | DATE | DATE | DATE | DATE | DATE |
| 0 ±0.20 | | | | | | | | | |
| ±0.15 | | | | | | | | | |
| ±0.075 | | | | | | | | | |
| ANGLES ± | | MATERIAL : | | QTY : | | FINISH : | | SCALE : 5:3 | |
| THIRD ANGLE PROJECTION | | | | | | | | | |
| <p>TITLE RJA45(LED) STACKED GANGED JACK, 2X1</p> <p>DRAWING NO. GESJ3021-LA</p> <p>/PART NO. SEE NOTE</p> <p>SIZE REV A3 2</p> <p>DO NOT SCALE DRAWING</p> <p>SHEET 1 OF 1</p> | | | | | | | | | |

FULL RISE ELECTRONIC CO., LTD