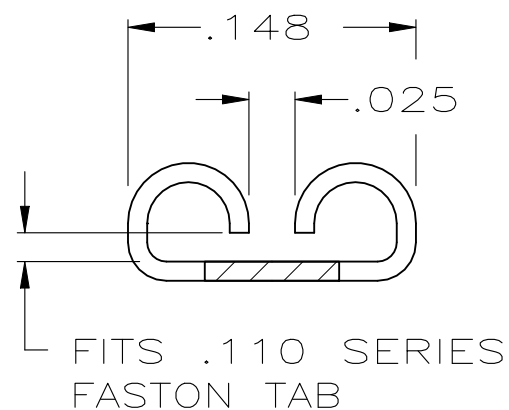
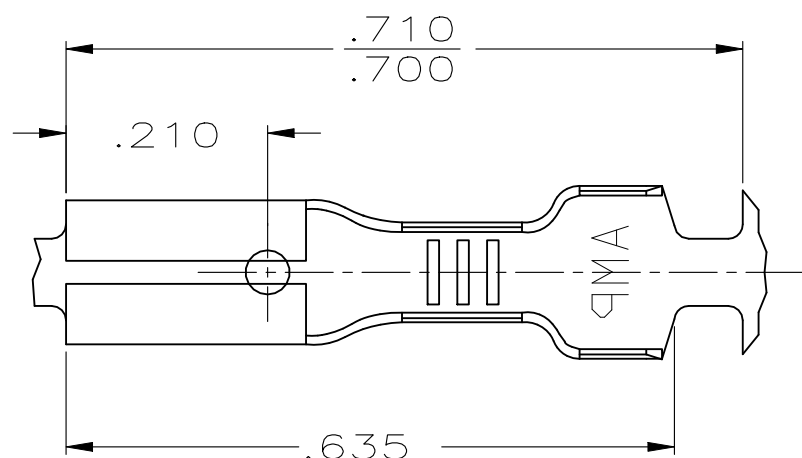


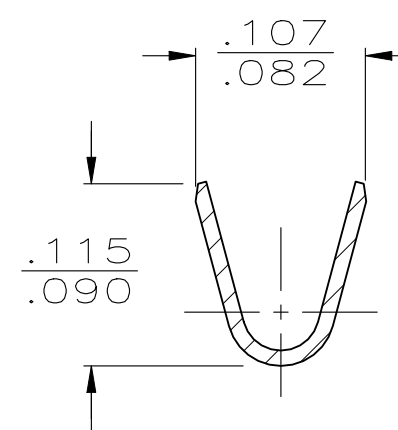
REVISIONS

P	LTR	DESCRIPTION	DATE	DWN	APVD
	CU	REVISED PER ECR-23-171359	16MAY2023	DB	DH

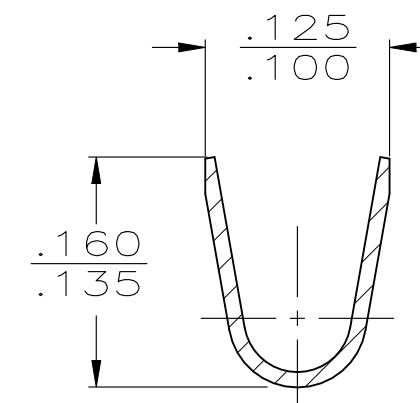


VIEW A-A

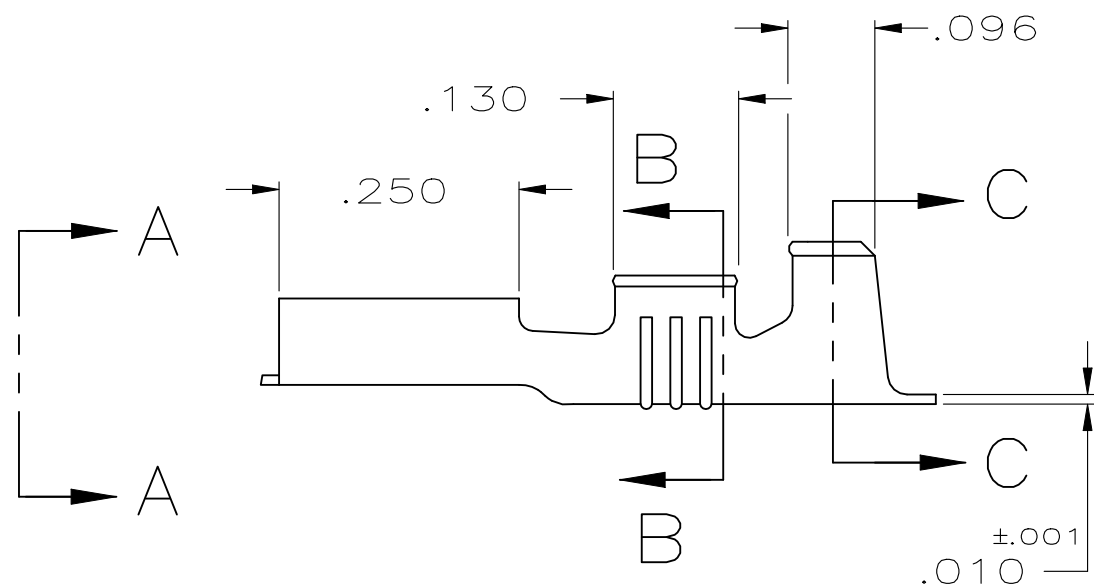
- 1 CONTINUOUS STRIP ON REELS.
- △2 POST-PLATE WHISKER-MITIGATED LEAD-FREE, MATTE TIN OVER NICKEL
- △3 POST-PLATE LEAD-FREE, MATTE TIN



SECTION B-B



SECTION C-C



	△3	BRASS	.060-.100	22-18	.020	42068-7
OBSOLETE	SILVER	#4H BRASS	.060-.100	22-18	.020	42068-6
OBSOLETE	GOLD	#4H BRASS	.060-.100	22-18	.020	42068-5
OBSOLETE	TIN	#4H PHOS BRZ	.060-.100	22-18	.020	42068-4
OBSOLETE	-	#4H PHOS BRZ	.060-.100	22-18	.020	42068-3
OBSOLETE	△2	BRASS	.060-.100	22-18	.020	42068-2
	PRE-TIN	BRASS	.060-.100	22-18	.020	42068-1
	-	BRASS	.060-.100	22-18	.020	42068-0
	FINISH	MATERIAL	INSUL RANGE	WIRE SIZE	TAB ^{±.001} THK	PART NO

THIS DRAWING IS A CONTROLLED DOCUMENT.		DWN	6/23/87		STE TE Connectivity											
DIMENSIONS: INCHES		CHK	-													
TOLERANCES UNLESS OTHERWISE SPECIFIED:		APVD	-													
<table border="0"> <tr><td>0 PLC</td><td>± -</td></tr> <tr><td>1 PLC</td><td>± -</td></tr> <tr><td>2 PLC</td><td>± -</td></tr> <tr><td>3 PLC</td><td>± .015</td></tr> <tr><td>4 PLC</td><td>± -</td></tr> <tr><td>ANGLES</td><td>± -</td></tr> </table>		0 PLC	± -	1 PLC		± -	2 PLC	± -	3 PLC	± .015	4 PLC	± -	ANGLES	± -	PRODUCT SPEC	-
0 PLC	± -															
1 PLC	± -															
2 PLC	± -															
3 PLC	± .015															
4 PLC	± -															
ANGLES	± -															
MATERIAL	SEE TABLE	FINISH	SEE TABLE	WEIGHT	0.000000											
		CUSTOMER DRAWING		SCALE	NTS											
				SHEET	1 OF 1											
				REV	CU											

RECEPTACLE, FASTON,™
.110 SERIES

SIZE A3 CAGE CODE 00779 DRAWING NO C-42068