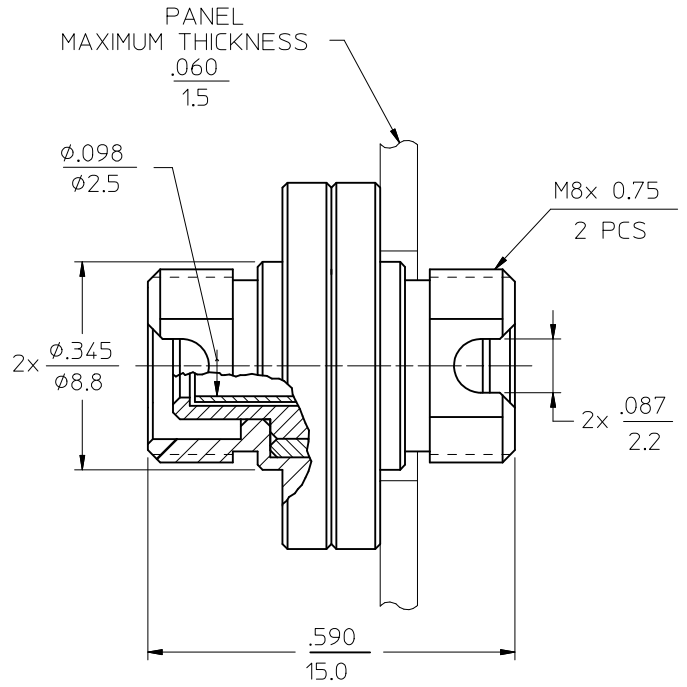
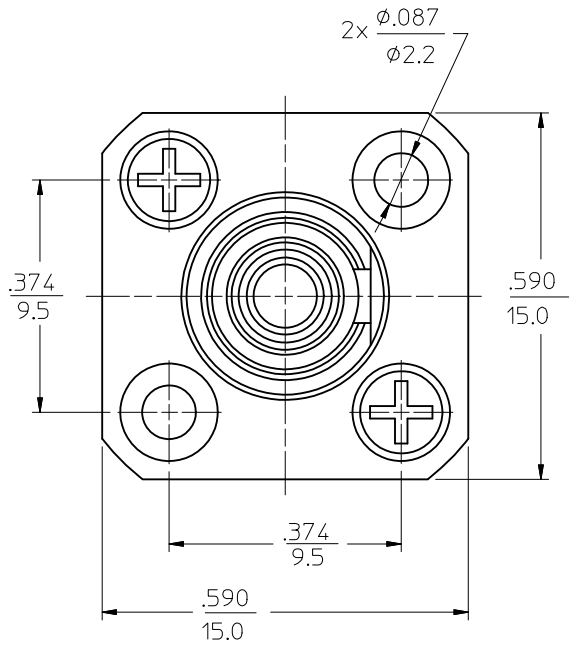
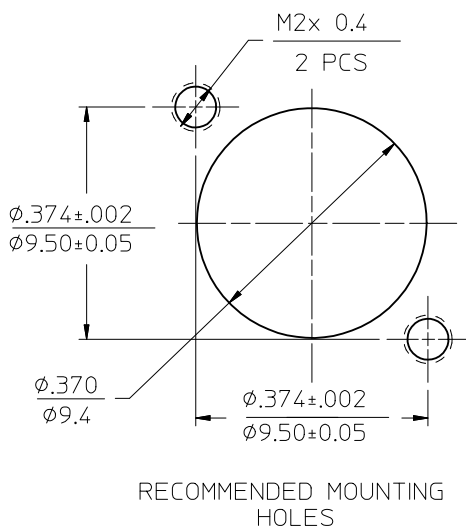


10	9	8	7	6	5	4	3	2	1
P/N OF ADAPTER	MATERIAL OF SLEEVE								
106152-0000	CERAMIC								
106156-0000	PHOSPHOR BRONZE								



NOTE:  
1. DUST CAPS ARE INCLUDED, BUT NOT SHOWN

<b>ENTER DESCRIPTION</b> EC NO: MF2006-0270 DRAWN: PGIBLIN 2005/12/06 CHKD: 2005/12/06 APPR: LGUMIN 2005/12/06 <b>A</b>	<b>QUALITY SYMBOLS</b> $\nabla = 0$ $\nabla 7 = 0$	<b>GENERAL TOLERANCES (UNLESS SPECIFIED)</b>	<b>DIMENSION STYLE</b> IN/MM	<b>SCALE</b> 5:1	<b>DESIGN UNITS</b> INCH	THIRD ANGLE PROJECTION																							
		<table border="1"> <tr> <th></th> <th>mm</th> <th>INCH</th> </tr> <tr> <td>4 PLACES</td> <td>± ---</td> <td>± .0002</td> </tr> <tr> <td>3 PLACES</td> <td>± 0.005</td> <td>± .005</td> </tr> <tr> <td>2 PLACES</td> <td>± 0.13</td> <td>± .01</td> </tr> <tr> <td>1 PLACE</td> <td>± 0.25</td> <td>± ---</td> </tr> </table>		mm	INCH	4 PLACES	± ---	± .0002	3 PLACES	± 0.005	± .005	2 PLACES	± 0.13	± .01	1 PLACE	± 0.25	± ---	<table border="1"> <tr> <td>DRAWN BY</td> <td>DATE</td> </tr> <tr> <td>PGIBLIN</td> <td>2005/10/25</td> </tr> <tr> <td>CHECKED BY</td> <td>DATE</td> </tr> <tr> <td>APPROVED BY</td> <td>DATE</td> </tr> </table>	DRAWN BY	DATE	PGIBLIN	2005/10/25	CHECKED BY	DATE	APPROVED BY	DATE	<b>TITLE</b> FC TYPE ADAPTER		
		mm	INCH																										
	4 PLACES	± ---	± .0002																										
3 PLACES	± 0.005	± .005																											
2 PLACES	± 0.13	± .01																											
1 PLACE	± 0.25	± ---																											
DRAWN BY	DATE																												
PGIBLIN	2005/10/25																												
CHECKED BY	DATE																												
APPROVED BY	DATE																												
<b>DRAFT WHERE APPLICABLE MUST REMAIN WITHIN DIMENSIONS</b>	<b>MATERIAL NO.</b> SEE TABLE	<b>DOCUMENT NO.</b> SD-10615X-0000	<b>MOLEX INCORPORATED</b>																										
	<b>SIZE</b> B	THIS DRAWING CONTAINS INFORMATION THAT IS PROPRIETARY TO MOLEX INCORPORATED AND SHOULD NOT BE USED WITHOUT WRITTEN PERMISSION				<b>SHEET NO.</b> 1 OF 01																							