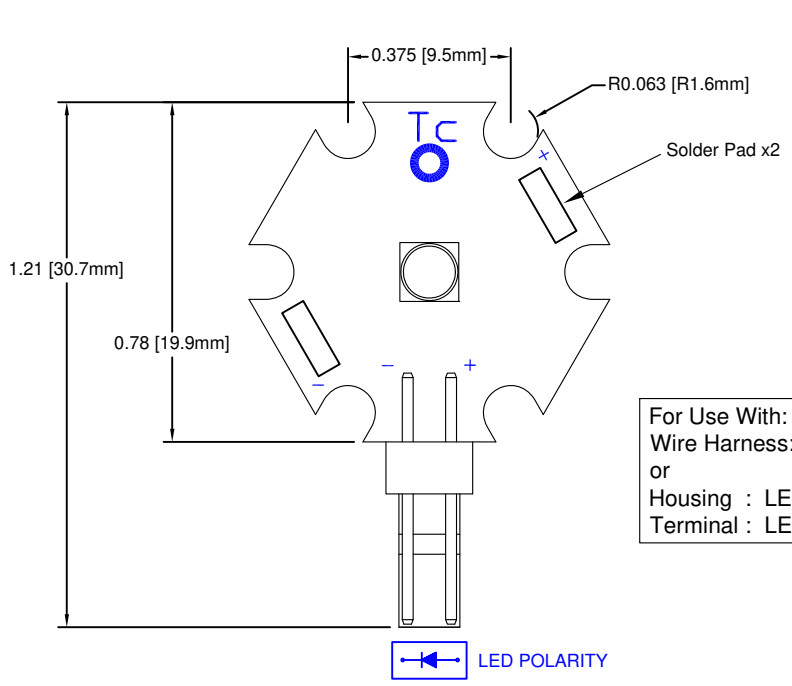
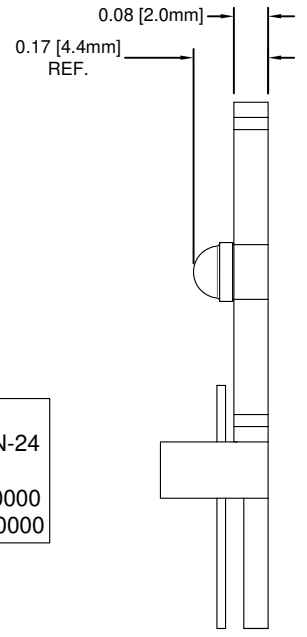


REV.	DESCRIPTION	DATE	APPROVED
F	Engineering Release	04/09/14	J. C.
G	Engineering Update w/o Changes	08/09/16	J. C.



For Use With:
 Wire Harness: BIVAR L2CON-24
 or
 Housing : LEOCO 2530S020000
 Terminal : LEOCO 2533TPB0000


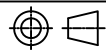


ORDERING INFORMATION
L22-TEXXXV

12: 12V
 24: 24V
 48: 48V

C: COOL WHITE
 N: NEUTRAL WHITE
 W: WARM WHITE

Part Number	LED P/N	Color	CCT (K)	Typical Luminous Flux (lm)	Cree P/N Reference
L22-TEW12V	BDL-1492	Warm White	3000	100	XTEHVW-D0-0000-00000HCE7
L22-TEN24V	BDL-1494	Neutral White	4750	107	XTEHVW-H0-0000-00000LDF4
L22-TEW24V	BDL-1495	Warm White	3000	93.9	XTEHVW-H0-0000-00000HBE7
L22-TEC48V	BDL-1496	Cool White	6200	107	XTEHVW-Q0-0000-00000LD51
L22-TEN48V	BDL-1497	Neutral White	5000	100	XTEHVW-Q0-0000-00000LCE3
L22-TEW48V	BDL-1498	Warm White	3000	107	XTEHVW-Q0-0000-00000LDE7

STANDARD TOLERANCE (UNLESS OTHERWISE SPECIFIED)		 4 THOMAS, IRVINE, CA. 92618 TEL: (949) 951-8808 FAX: (949) 951-3974	
DECIMALS	ANGULAR		
.X ± .1	X° ± 1°		TITLE: L22 Starboard Light Engine
.XX ± .02			DESIGNED: B. Oliver
.XXX ± .010		CHECKED: J. Chiang	DATE: 07/22/13
		PART NO: L22-TEXXXV	REVISION: G
		CAGE CODE : 32559	SHEET # 1 OF 1
CAD GENERATED DOCUMENT. DO NOT MEASURE DRAWING.			