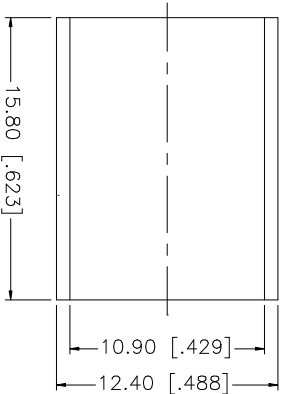
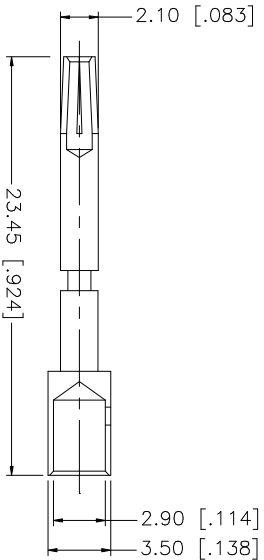
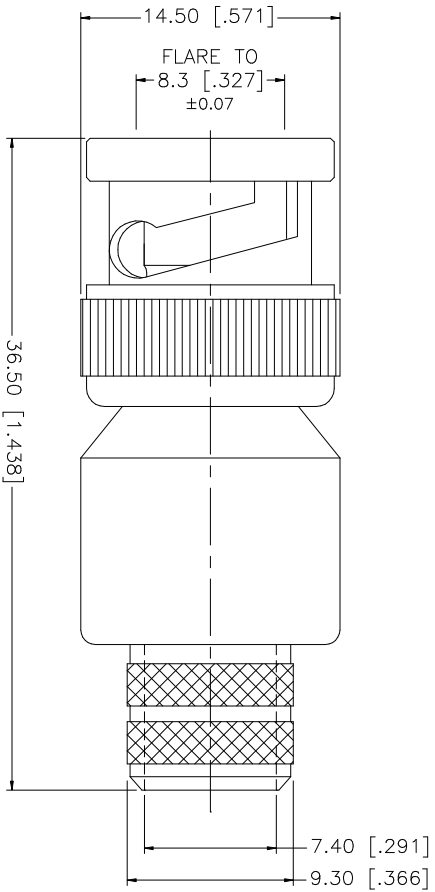
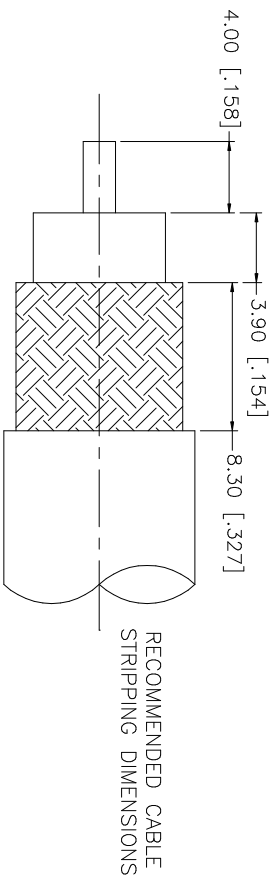


REV.	DATE	DESCRIPTION
NC	07/31/05	INITIAL RELEASE



- CRIMP NOTES:
1. CRIMPED FERRULE
HEX CRIMP SIZE .429"
 2. CRIMPED CONTACT PIN
HEX CRIMP SIZE .118"

QTY	FINISH	MATERIAL	DESCRIPTION
1	NICKEL	COPPER	FERRULE
1	GOLD	PHOS. BRONZE	CONTACT PIN
1	NICKEL	TEFLON	INSULATOR
1	NICKEL	BRASS	BODY

APPROVALS	DATE	PART DESCRIPTION
DRAWN G.R.S.	07/31/05	BNC REVERSE POLARITY CRIMP PLUG (FOR BELDEN 8214, 9913, 9914, LMR400)
CHECKED		
ISSUED		
SHEET 1 OF 1		PART NO. 112563RP

UNLESS OTHERWISE SPECIFIED DIMENSIONS ARE IN MILLIMETERS. DIMENSIONS IN [] ARE IN INCHES AND FOR CUSTOMER REFERENCE ONLY.	UNLESS OTHERWISE SPECIFIED TOLERANCES FOR MILLIMETERS ARE:	UNLESS OTHERWISE SPECIFIED DIMENSIONS ARE IN MILLIMETERS. DIMENSIONS IN [] ARE IN INCHES AND FOR CUSTOMER REFERENCE ONLY.	UNLESS OTHERWISE SPECIFIED TOLERANCES FOR MILLIMETERS ARE:
	0.5 - 8mm ± 0.20mm		0.5 - 8mm ± 0.20mm
	8 - 30mm ± 0.40mm		8 - 30mm ± 0.40mm
	30 - 120mm ± 0.50mm		30 - 120mm ± 0.50mm
			UNLESS OTHERWISE SPECIFIED TOLERANCES FOR INCHES ARE:
			.020 - .315 = ± 0.007"
			.315 - 1.180 = ± 0.015"
			1.180 - 4.724 = ± 0.020"

DO NOT SCALE DRAWING	CAD FILE C:/112/112563RP.DWG	DWG. NO. 112563RP.DWG	REV. NC	SIZE A	SCALE NA
----------------------	------------------------------	-----------------------	---------	--------	----------

Amphenol Connex