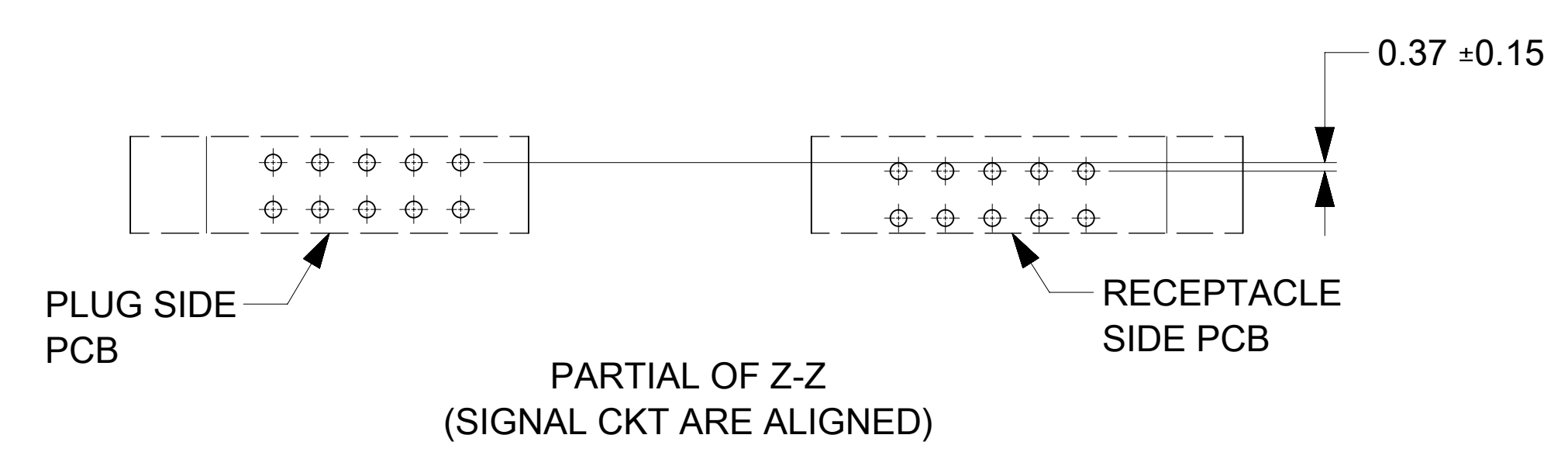
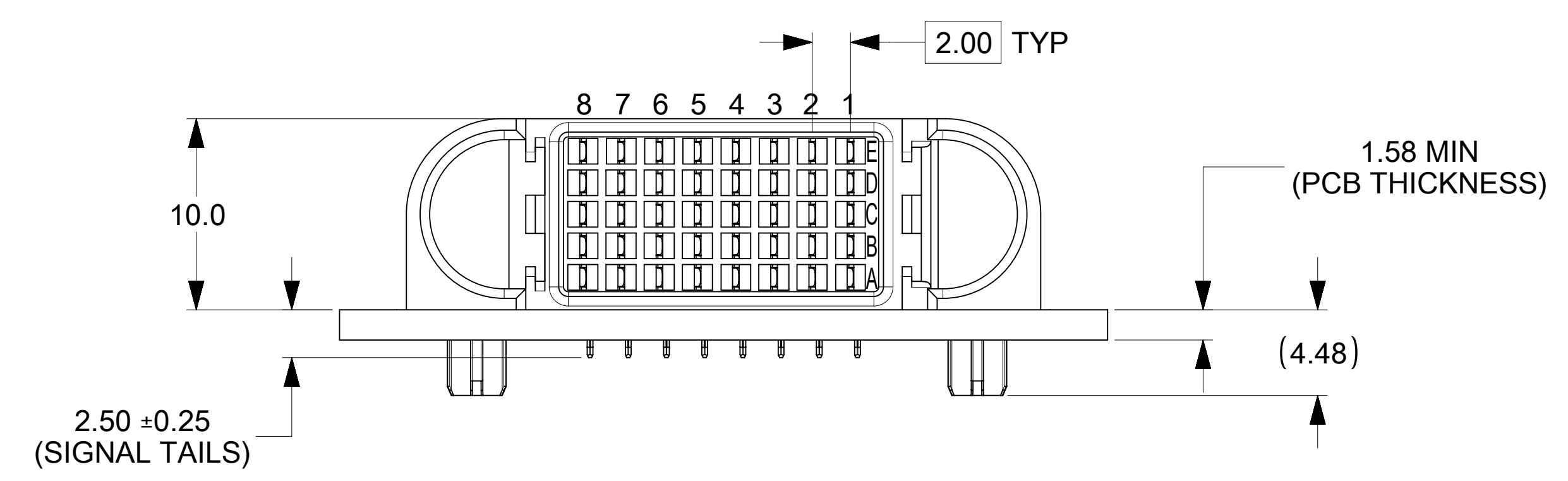
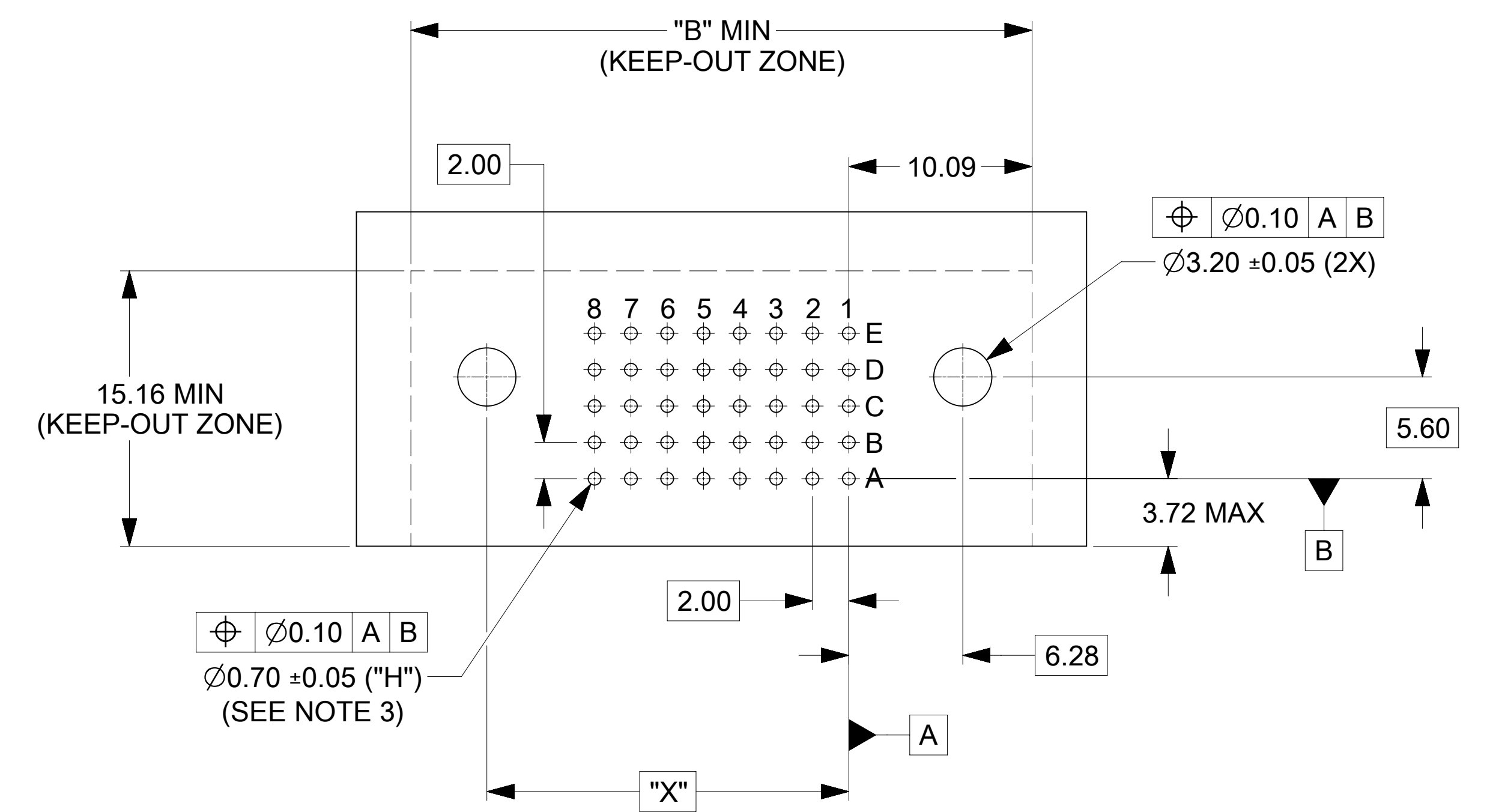


P/N : 46436-3133 (G-40S-G)

MATED PROFILE



PARTIAL OF Z-Z (SIGNAL CKT ARE ALIGNED)



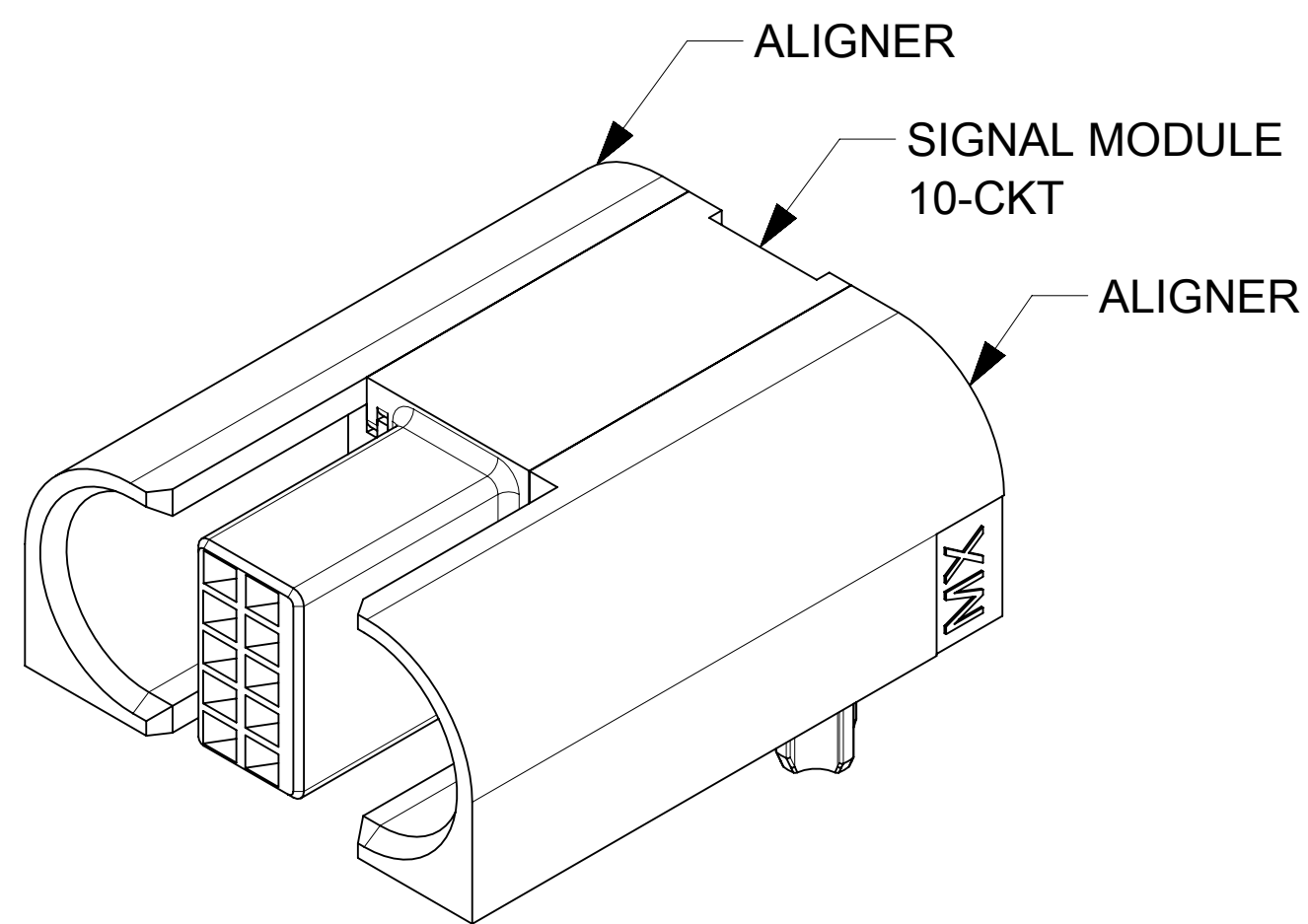
RECOMMENDED PCB LAYOUT AND KEEP-OUT ZONE FOR G-(10S TO 40S)-G

- NOTES:
- MATERIAL:
 - HOUSINGS: LCP UL94 V-0, COLOR: BLACK
 - TERMINALS: COPPER ALLOY
 - PLATING: 1.27 MICROMETER (50 MICROINCH) NICKEL OVERALL WITH 2.54 MICROMETER (100 MICROINCH) SELECTIVE TIN ON TAILS AND 0.762 MICROMETER (30 MICROINCH) SELECTIVE GOLD ON CONTACT AREA
 - PACKAGING: ASSEMBLIES TO BE TAPE & REEL PACKED PER PACKAGING SPEC: 464361001-PK
 - PLATED THRU HOLE SIZE, REFER TO PS-46436-100 FOR DETAILS
 - PRODUCT SPEC: PS-46436-100
 - APPLICATION SPEC: AS-46436-100
 - PRODUCT TO MEET RoHS REQUIREMENTS
 - ASSEMBLY MATES WITH PLUG ASSEMBLY P/N 46437-**** (SEE TABLE IN SHEET 2).
 - TAIL DESIGN: COMPLIANT PINS
 - SIGNAL CONTACTS ARE LUBRICATED
 - MOLEX LOGO TO BE LOCATED APPROXIMATELY AS SHOWN.

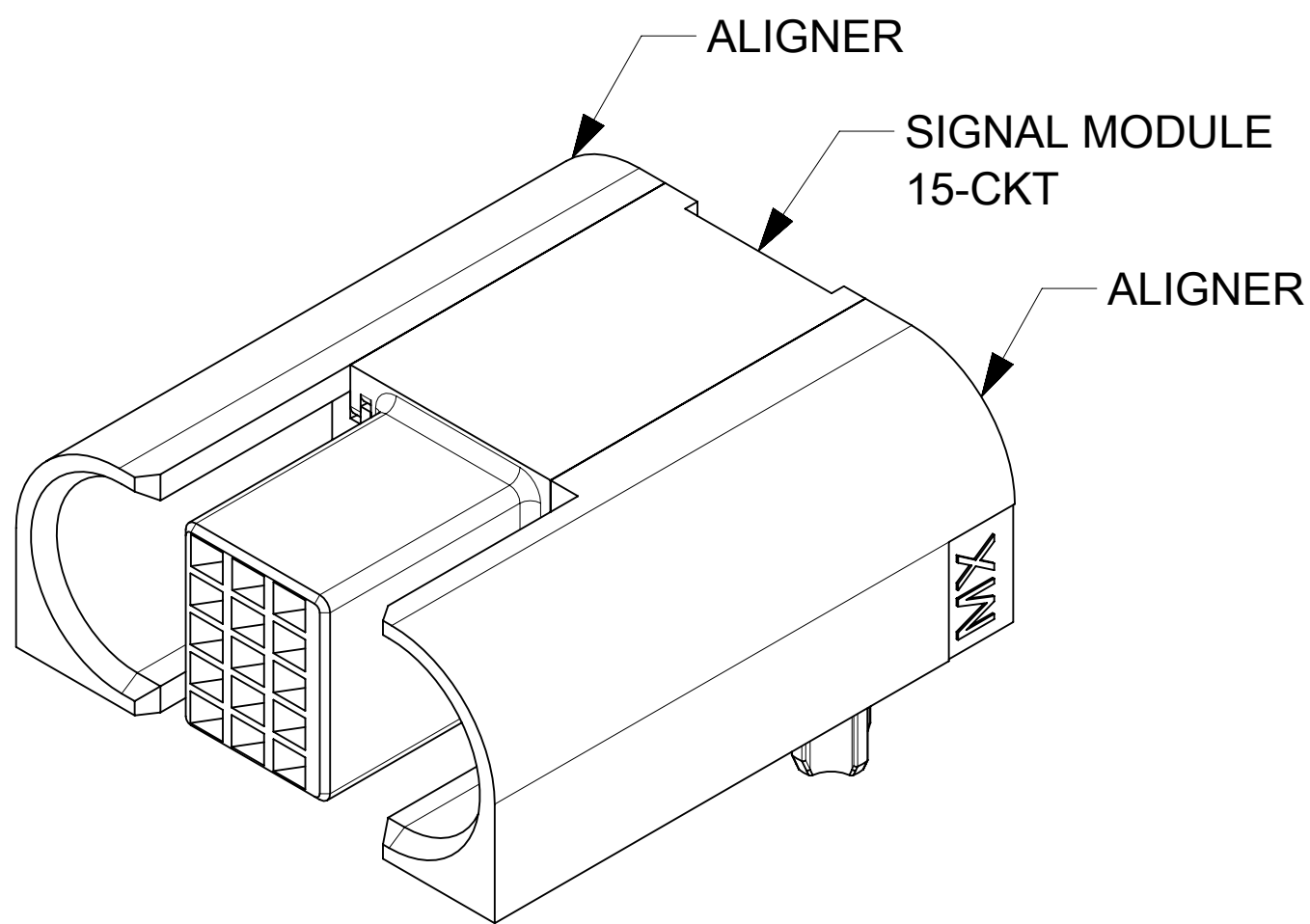
THIS DRAWING CONTAINS INFORMATION THAT IS PROPRIETARY TO MOLEX ELECTRONIC TECHNOLOGIES, LLC AND SHOULD NOT BE USED WITHOUT WRITTEN PERMISSION		CURRENT REV DESC: INITIAL RELEASE			
DIMENSION UNITS	SCALE	EC NO: 690238			
mm	4:1	DRWN: KSUTAR 2021/12/22		G-*S-G R/A RECEP ASSY - TEN60 POWER FAMILY	
GENERAL TOLERANCES (UNLESS SPECIFIED)		CHK'D: GJEEVANSURES 2022/01/04			
ANGULAR TOL	± 0.5°	APPR: HTHYAGARAJ 2022/01/17		PRODUCT CUSTOMER DRAWING	
4 PLACES	±	INITIAL REVISION:		DOCUMENT NUMBER	
3 PLACES	±	DRWN: KSUTAR 2021/12/22		464363127	
2 PLACES	± 0.25	APPR: HTHYAGARAJ 2022/01/17		PSD 000 A	
1 PLACE	± 0.25	DRAFT WHERE APPLICABLE MUST REMAIN WITHIN DIMENSIONS		SHEET NUMBER	
0 PLACES	±	THIRD ANGLE PROJECTION		1 OF 2	
		DRAWING		MATERIAL NUMBER	
		D-SIZE		SEE TABLE	
		SERIES		CUSTOMER	
		46436		GENERAL MARKET	

REFER TO BELOW TABLE FOR DIMENSIONS.

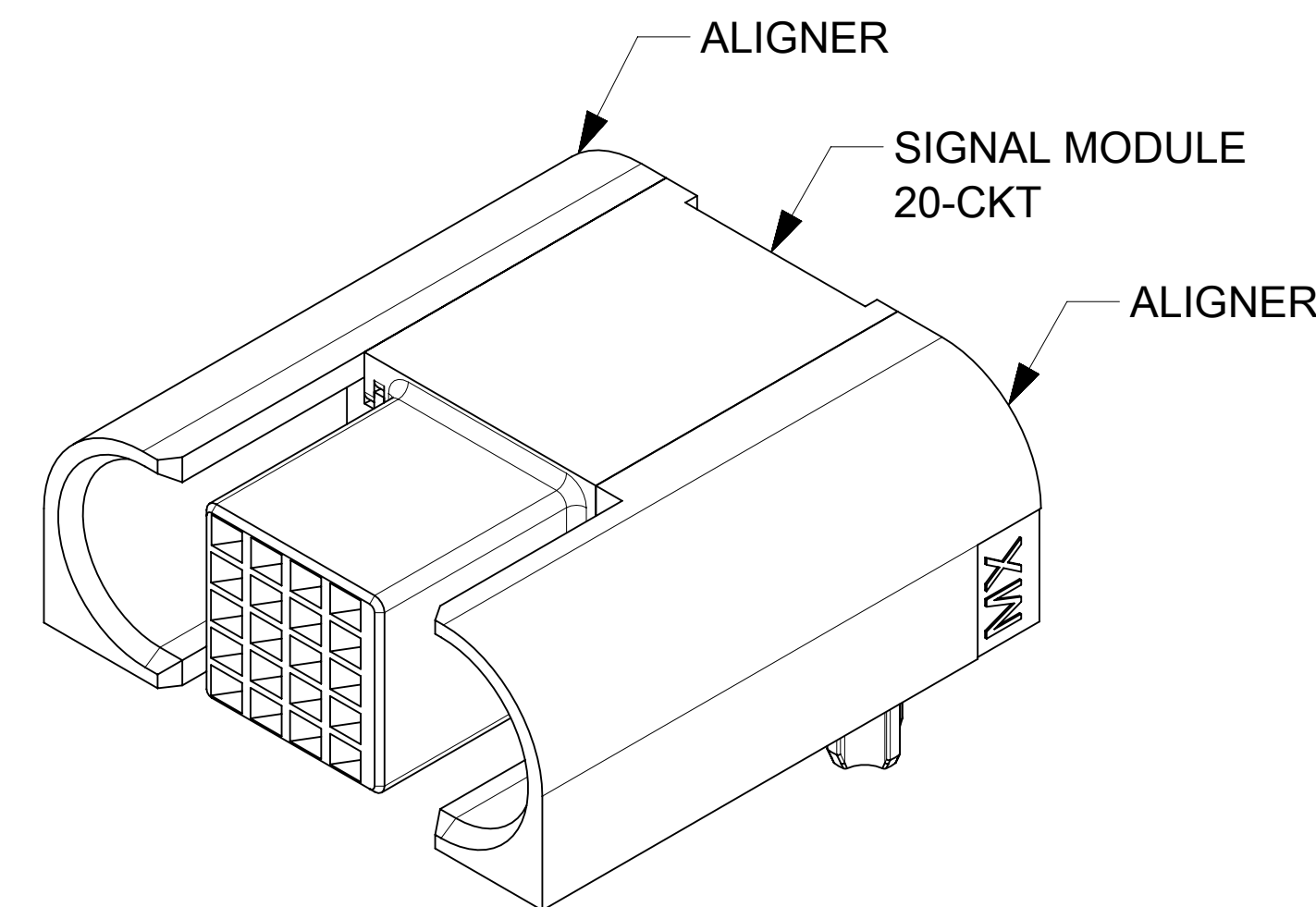
FG P/N	CONFIGURATION	SIGNAL CKT SIZE	DIM "A" (IN MM)	DIM "B" (IN MM)	DIM "X" (IN MM)	HOLES COUNT "H"	MATES WITH R/A PLUG ASSY P/N
46436-3127	G-10S-G	10	21.21	22.21	7.93	10	46437-3127
46436-3128	G-15S-G	15	23.21	24.21	9.93	15	46437-3128
46436-3129	G-20S-G	20	25.21	26.21	11.93	20	46437-3129
46436-3130	G-25S-G	25	27.21	28.21	13.93	25	46437-3130
46436-3131	G-30S-G	30	29.21	30.21	15.93	30	46437-3131
46436-3132	G-35S-G	35	31.21	32.21	17.93	35	46437-3132
46436-3133	G-40S-G	40	33.21	34.21	19.93	40	46437-3133



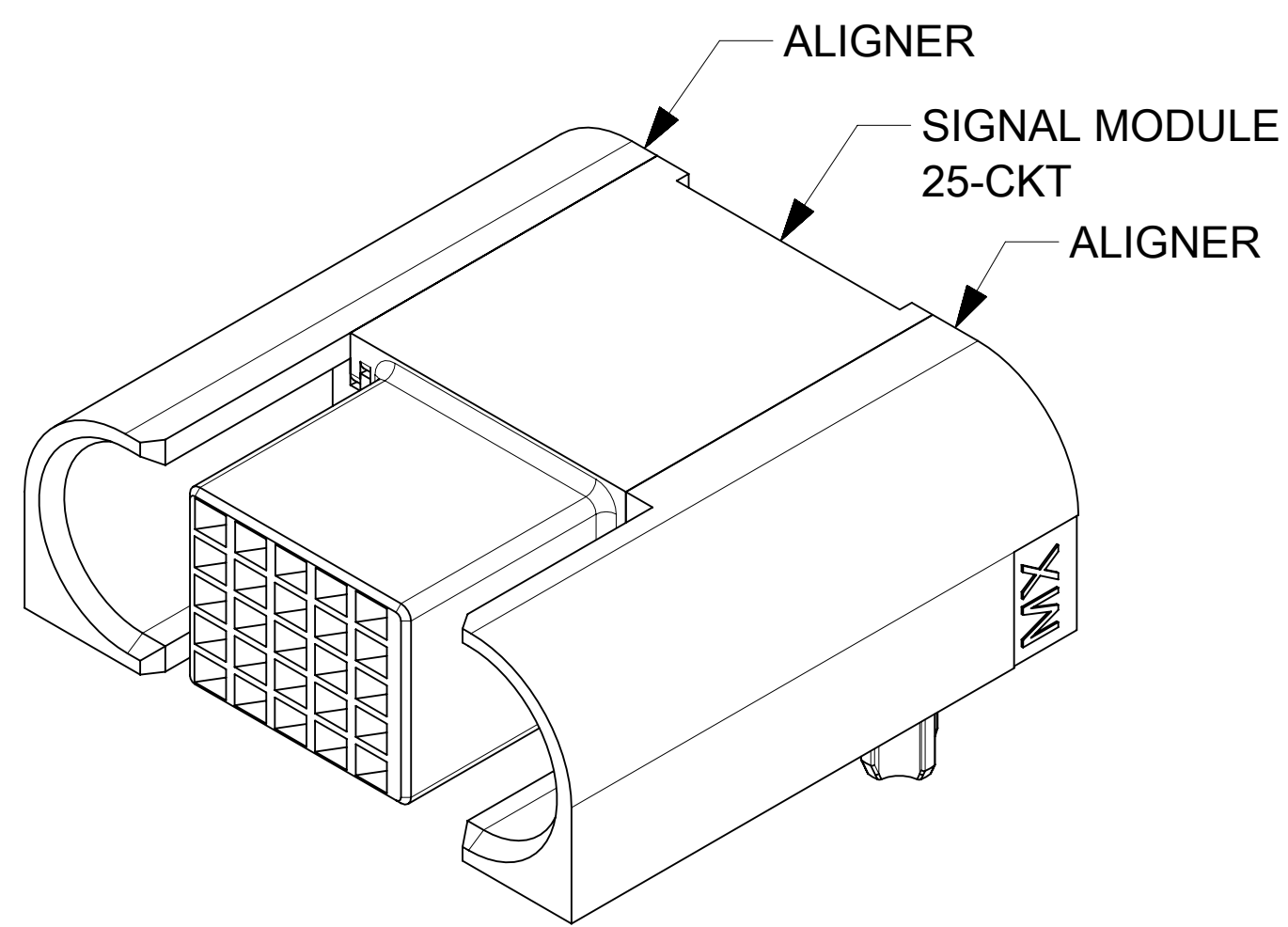
P/N : 46436-3127 (G-10S-G)



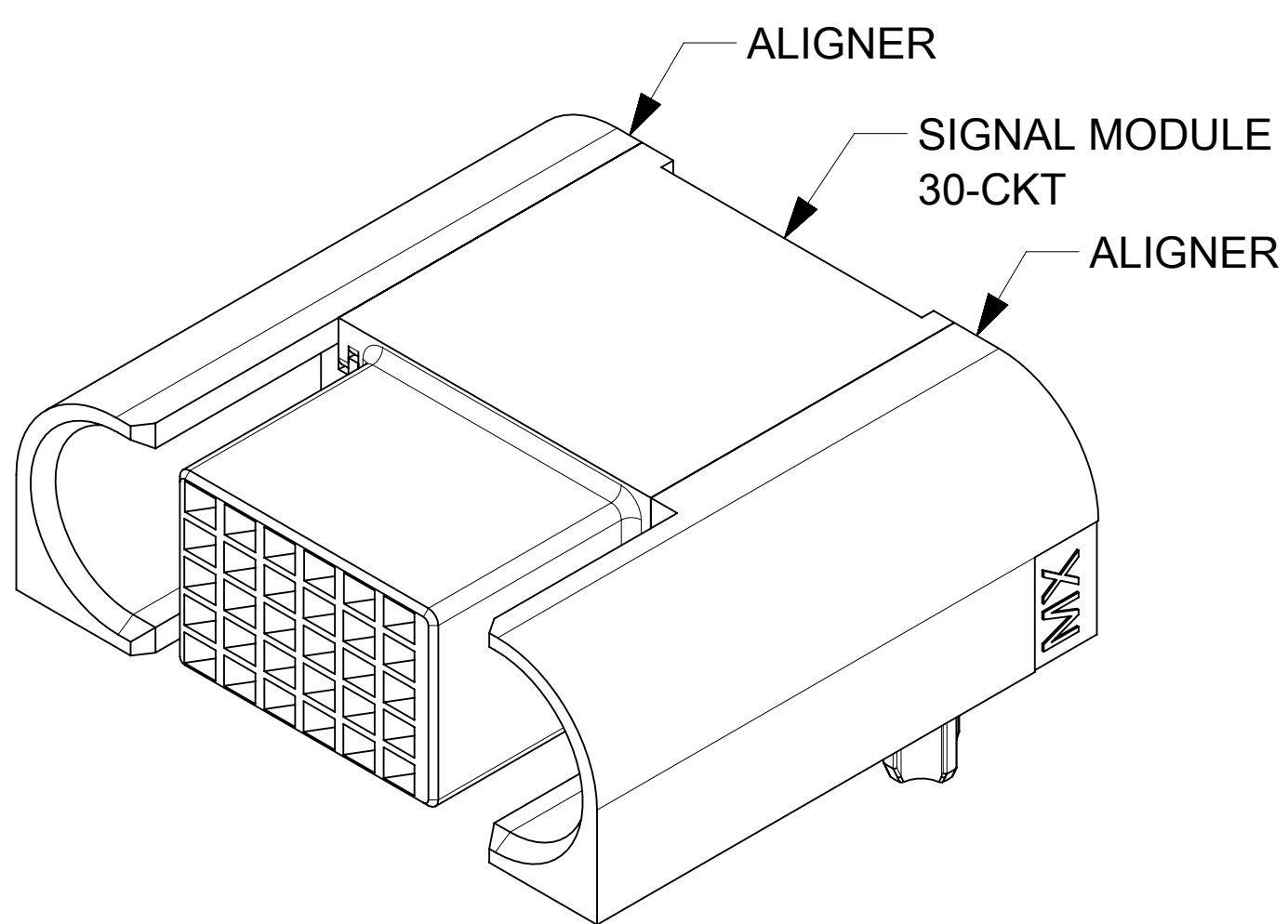
P/N : 46436-3128 (G-15S-G)



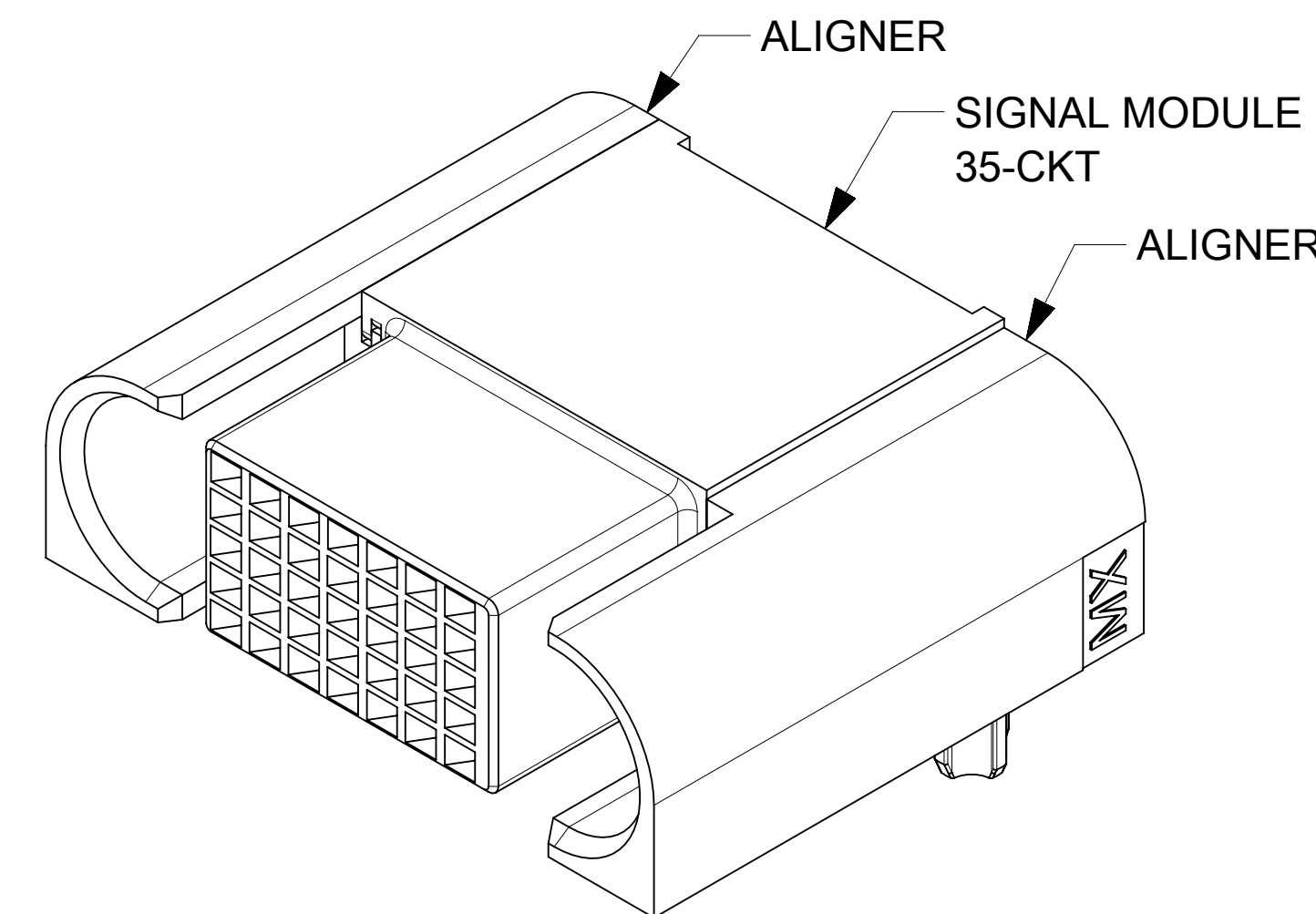
P/N : 46436-3129 (G-20S-G)



P/N : 46436-3130 (G-25S-G)



P/N : 46436-3131 (G-30S-G)



P/N : 46436-3132 (G-35S-G)

THIS DRAWING CONTAINS INFORMATION THAT IS PROPRIETARY TO MOLEX ELECTRONIC TECHNOLOGIES, LLC AND SHOULD NOT BE USED WITHOUT WRITTEN PERMISSION												
DIMENSION UNITS		SCALE		CURRENT REV DESC: INITIAL RELEASE								
mm		4:1										
GENERAL TOLERANCES (UNLESS SPECIFIED)				EC NO: 690238								
ANGULAR TOL ± 0.5°				DRWN: KSUTAR		2021/12/22		G-*S-G				
4 PLACES ±				CHK'D: GJEEVANSURES		2022/01/04		R/A RECEP ASSY - TEN60 POWER FAMILY				
3 PLACES ±				APPR: HTHYAGARAJ		2022/01/17		PRODUCT CUSTOMER DRAWING				
2 PLACES ± 0.25				INITIAL REVISION:				DOCUMENT NUMBER		DOC TYPE	DOC PART	REVISION
1 PLACE ± 0.25				DRWN: KSUTAR		2021/12/22		464363127		PSD	000	A
0 PLACES ±				APPR: HTHYAGARAJ		2022/01/17		MATERIAL NUMBER		CUSTOMER		SHEET NUMBER
DRAFT WHERE APPLICABLE MUST REMAIN WITHIN DIMENSIONS				THIRD ANGLE PROJECTION		DRAWING		SERIES		GENERAL MARKET		2 OF 2
						D-SIZE		46436		SEE TABLE		