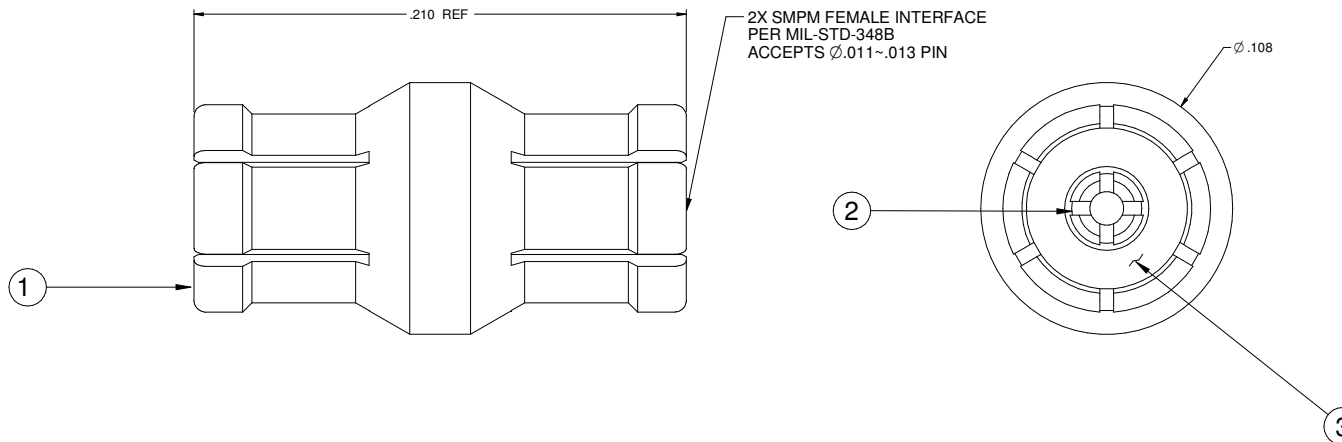


PART NUMBER	ITEM ① BODY	ITEM ② CONTACT	ITEM ③ INSULATOR
125-0901-811	BERYLLIUM COPPER GOLD PL .00005 MIN OVER NICKEL PL.00005 MIN OVER COPPER PL.00005 MIN	BERYLLIUM COPPER GOLD PL .00005 MIN OVER NICKEL PL.00005 MIN OVER COPPER PL.00005 MIN	TEFLON

REV	ECO	DATE
1	ECO-16-0019	2/23/2016



**SPECIFICATION:**

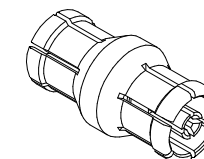
IMPEDANCE: 50 OHMS  
 FREQUENCY RANGE: 0-65 GHz  
 VSWR: 1.15 MAX TO 18GHz, 1.25 MAX TO 40GHz and 1.45 MAX TO 65GHz  
 INSERTION LOSS: 0.10 √F dB MAX (F IN GHz)  
 WORKING VOLTAGE: 325 VRMS MAX AT SEA LEVEL  
 DIELECTRIC WITHSTANDING VOLTAGE: 325 VRMS MIN AT SEA LEVEL  
 INSULATION RESISTANCE: 5000 MEGOHM MIN  
 CONTACT RESISTANCE:  
     CENTER CONTACT - INITIAL 6 MILLIOHM MAX, AFTER ENVIRONMENTAL NOT APPLICABLE  
     OUTER CONDUCTOR - INITIAL 2 MILLIOHM MAX, AFTER ENVIRONMENTAL NOT APPLICABLE  
 RF LEAKAGE: -65dB TYPICAL AT 3GHz

**MECHANICAL:**

ENGAGEMENT FORCE: FULL DETENT(FD) 4.5LBS TYPICAL; SMOOTH BORE(SB) 2.5LBS TYPICAL  
 DISENGAGEMENT FORCE: FD 6.5LBS TYPICAL; SB 1.5LBS TYPICAL  
 CONTACT RETENTION: 1.5 LBS MIN AXIAL FORCE  
 MISALIGNMENT: RADIAL +/- .010 AXIAL .010 (FLUSH TO .010 FROM THE REFERENCE PLANE)  
 DURABILITY: FD 100 CYCLES MIN; SB 500 CYCLES MIN

**ENVIRONMENTAL:**

OPERATING TEMPERATUR: -65 TO 165°C  
 THERMAL SHOCK: MIL-STD-202, METHOD 107, CONDITION B  
 MECHANICAL SHOCK: MIL-STD-202, METHOD 213, CONDITION I  
 CORROSION: MIL-STD-202, METHOD 101  
 VIBRATION: MIL-STD-202, METHOD 204  
 MOISTURE RESISTANCE: MIL-STD-202, MEHTOD 106, EXCEPT STEP 7B



	SEE NOTE	Model No.	Title: SMPM BULLET ADAPTER	
		RoHS2 201185EU	210 LENGTH	
SEE NOTE	XX + 01 .XXX + 003	Drawn By: R.SHEN	Drawing No.	Rev
	.XXXX + 0010	Date: 2/23/16	125-0901-811	1
	ANGLES +110°	Size: C	DO NOT SCALE DRAWING	Sheet 1 of 1