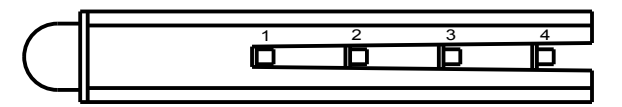
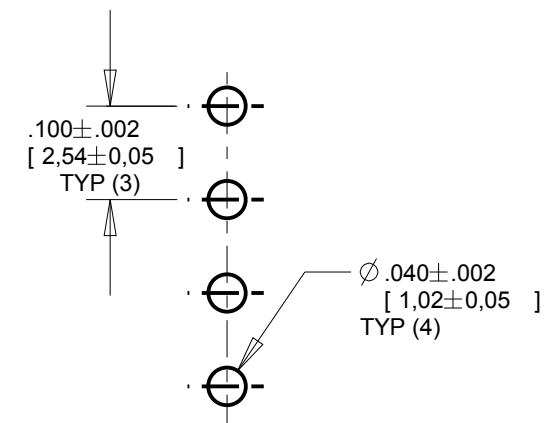
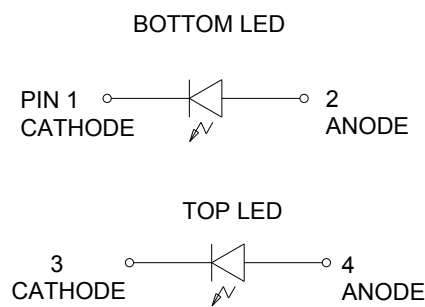
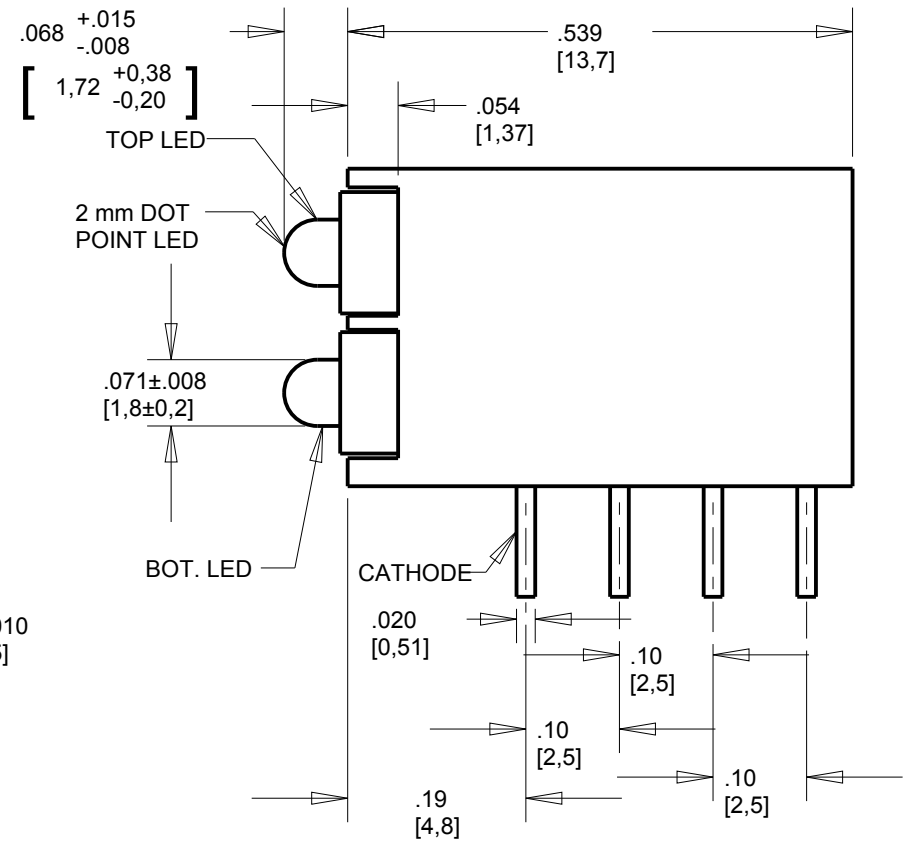
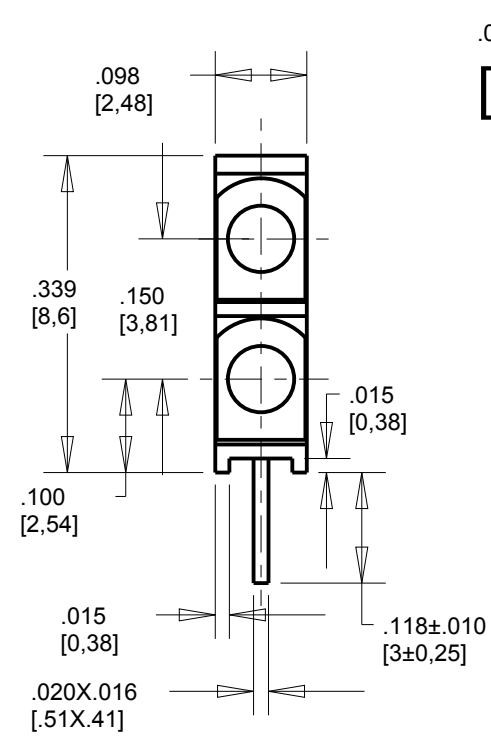
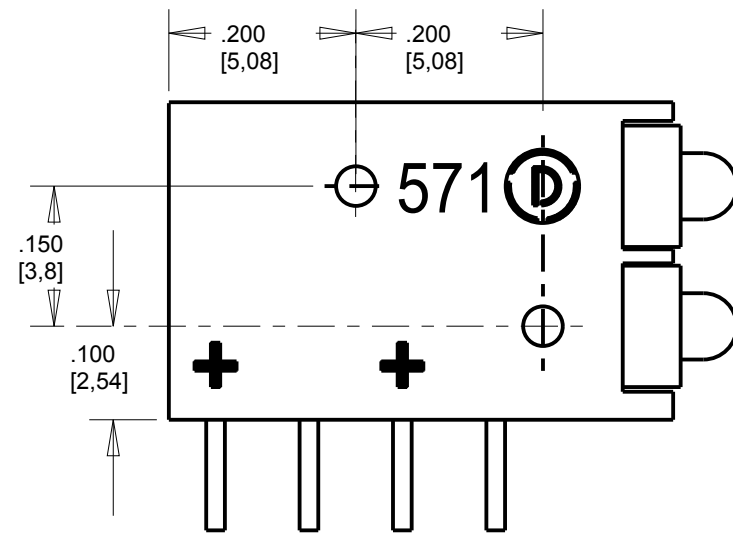


ASSY. NO.	LED COLOR (DIFFUSED)	
	TOP POSITION	BOTTOM POSITION
571-0123-814F	GREEN	YELLOW

REV	REVISIONS	DN	AP	DATE
A	NEW RELEASE	LD	NO	4-25-19



**NOTES:**

- LED LEAD DIMENSIONS ARE MEASURED AT HOUSING EXIT.
- PIN NUMBERS FOR REFERENCE ONLY, DESIGNATION NON-EXISTENT ON PARTS
- THIS ASSEMBLY CONTAINS ELECTROSTATIC DISCHARGE SENSITIVE DEVICES (ESDS). MAINTAIN ALL PRECAUTIONARY MEASURES DURING ASSEMBLY, HANDLING AND STORAGE IN ACCORDANCE WITH 1PC-A-610.
- THIS PRODUCT IS RoHS COMPLIANT. EACH BAG IS MARKED WITH RoHS COMPLIANT LABEL (9100-117-0852-99) OR EQUIVALENT MARKINGS. LED MUST BE Pb FREE (RoHS COMPLIANT).

ABSOLUTE MAXIMUM RATINGS AT TA = 25 °C						
LED COLOR	POWER DISSIPATION (mW)	DC FORWARD CURRENT (mA)	PEAK FORWARD CURRENT (mA)	REVERSE VOLTAGE (V)	OPERATING TEMPERATURE (°C)	STORAGE TEMPERATURE (°C)
YELLOW	75	30	140	5	-40 to +85	-40 to +85
GREEN	62.5	25	140	5	-40 to +85	-40 to +85

OPERATING CHARACTERISTICS												
LED COLOR	TEST CONDITION	LUMINOUS INTENSITY (mcd)		PEAK WAVELENGTH (nm)		DOMINANT WAVELENGTH (nm)		CAPACITANCE (pF)	FORWARD VOLTAGE (V)		REVERSE CURRENT (uA)	VIEWING ANGLE (DEG)
		MIN	TYP	TYP	MAX	TYP	MAX	TYP	TYP	MAX	MAX	2θ 1/2
YELLOW	IF=10mA	5	8	590	—	588	—	20	1.95	2.5	10	70
GREEN	IF=10mA	6	20	565	—	568	—	30	2	2.5	10	70



**ATTENTION:**  
OBSERVE PRECAUTIONS FOR HANDLING ELECTROSTATIC SENSITIVE DEVICES

THIS DRAWING AND THE CONTENTS HEREIN ARE CONFIDENTIAL AND THE SOLE PROPERTY OF DIALIGHT CORP. REPRODUCTION OF THIS DRAWING OR CONSTRUCTION OF ANY PARTS WITHIN THIS DRAWING ARE FORBIDDEN WITHOUT THE WRITTEN CONSENT OF DIALIGHT CORP.

SCALE: DO NOT SCALE ALL DIM's: INCH (mm)	DRAWING NUMBER <b>C-18430</b>	REV <b>A</b>
TOLERANCES: UNLESS OTHERWISE SPECIFIED FRACTIONS: ±1/64 DECIMALS (.XX): ±.01 DECIMALS (.XXX): ±.005 DECIMALS (.XXXX): ±.0005 ANGLES: ±1°	TITLE 2mm LED BI-LEVEL CBI HALOGEN FREE	MATERIAL SEE BOM
FINISH		
FSCM 83330	SHEET 1 OF 1	FAMILY TABLE:

1501 ROUTE 34 SOUTH  
FARMINGDALE, NJ 07727  
(732) 919-3119  
www.dialight.com