

Rev	AWO #	Description	Date	Appr
-		RELEASED	4/2/13	

6

5

4

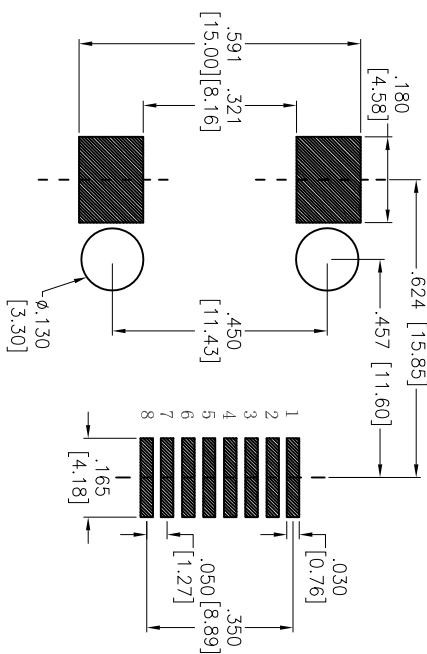
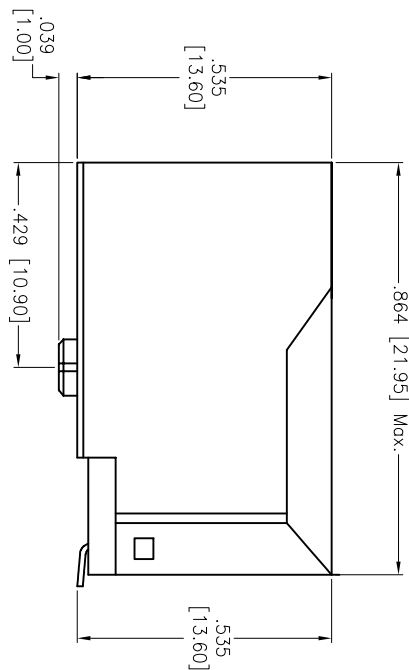
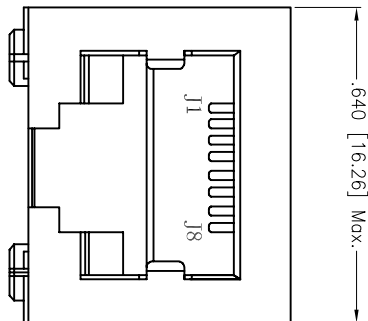
3

2

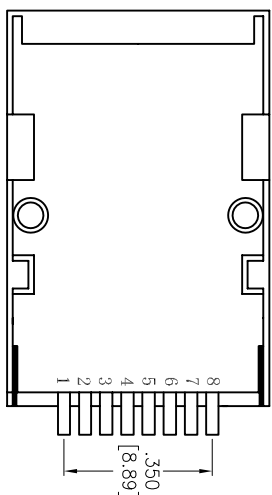
1

APPROVED: _____

DATE: _____ TITLE: _____



RECOMMENDED PCB LAYOUT
(TOP VIEW)



X	PLATING
0	15 μ m Gold
1	30 μ m Gold
2	50 μ m Gold
6	6 μ m Gold

UNLESS OTHERWISE SPECIFIED
ALL DIMENSIONS ARE INCHES [MM]
TOLERANCES: EXCEPT AS NOTED
INCHES

.X \pm .10 \varnothing .X
.XX \pm .020 \varnothing .XX
.XXX \pm .015 \varnothing .XXX
APPROVALS DATE

DRAWN AY 4/2/13
CHECKED YC 4/2/13
APPROVED

ADAM TECH
909 Ratway Avenue, Union, NJ 07083
Phone: 908-687-5000 Fax: 908-687-5710

TITLE: MODULAR JACK GANGED, 1 PORT, 8P8C
FULL SHIELD, SURFACE MOUNT TYPE

SPECIFICATIONS:
Material: Insulator: Hi-Temp Thermoplastic, rated UL 94V-0
Insulator color: Black
Contacts: Copper Alloy
Shield: Copper Alloy, Nickel plated
Contact Plating:
Gold Flash over Nickel underplate on contact area,
Tin over Copper underplate on tails
(See chart for thickness).
Electrical:
Operating voltage: 150 VAC max
Current rating: 1.5 Amps max
Contact Resistance: 20 mohms max. initial
Insulation resistance: 500 Mohms min @ 500 VDC
Dielectric withstanding voltage: 1,500 Vrms for 1 minut
Temperature Rating:
Operating temperature: -0°C to +70°C
Environmental:
Lead free, RoHS compliant.



SIZE	PART NO.	REV.
X	MT-J-88TX1-FS-M4T-SMT	-
REF:	S00043C	SCALE: NTS

DATE	4/2/13
DATE	4/2/13
DATE	4/2/13

6

5

4

3

2

1

A

B

C

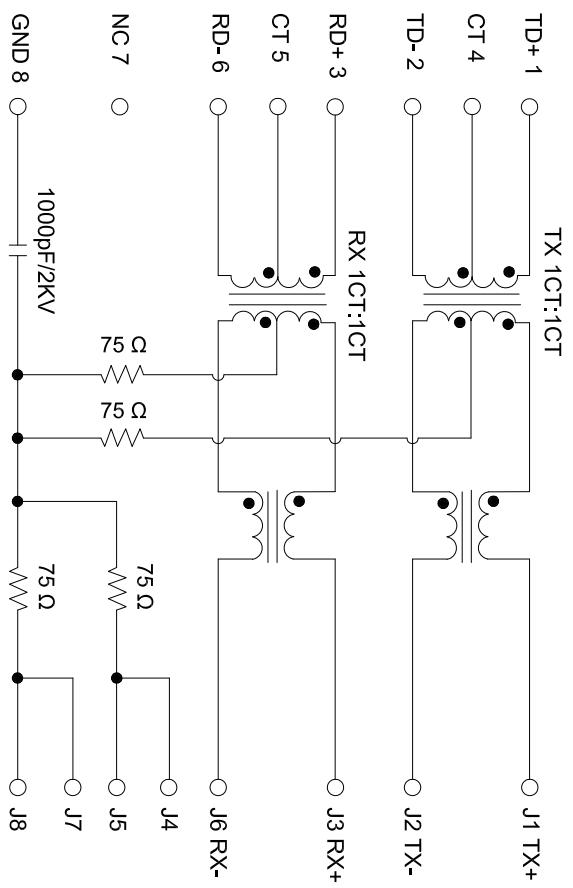
D

Rev	AWO #	Description	Date	Appr
		SEE SHIT 1 OF 2 FOR REVISION		

APPROVED: _____

DATE: _____ TITLE: _____

PCB SIDE TO PHY



CABLE SIDE

Electrical Specification @25°C

- Turns Ratio ($\pm 2\%$):
TX=1CT:1 RX=1CT:1
- OCL:
350uH Min. @100KHz, 100mV, 8mADC
- Insertion Loss:
1-65MHz: -1.0dB Max.
- Return Loss (dB Min. @100Ω±15Ω)
1-10MHz: -18
30MHz: -14
60-100MHz: -10

Crosstalk(dB Min.)

- 60-100MHz: -35
- Common Mode Rejection:
1-130MHz: -20dB Min.
- Hi-pot: 1500Vrms @60Hz 1 Min
- Operation Temperature: 0°C~70°C

UNLESS OTHERWISE SPECIFIED
ALL DIMENSIONS ARE IN INCHES [MM]
TOLERANCES: EXCEPT AS NOTED
INCHES Holes

.X	± .10	Ø.X	± .10
.XX	± .020	Ø.XXX	± .015
.XXX	± .015	Ø.XXX	± .010

APPROVALS

DRAWN	AY	DATE	4/2/13
CHECKED	YC	DATE	4/2/13
APPROVED		DATE	

ADAM TECH
909 Ratway Avenue, Union, NJ 07083
Phone: 908-687-5000 Fax: 908-687-5710

TITLE: MODULAR JACK GANGED, 1 PORT, 8P8C
FULL SHIELD, SURFACE MOUNT TYPE

REF:	SIZE	PART NO.	REV.
S00043C	X	MTJ-88TX1-FS-M4T-SMT	-
SCALE:	NTS	SHEET	2 OF 2