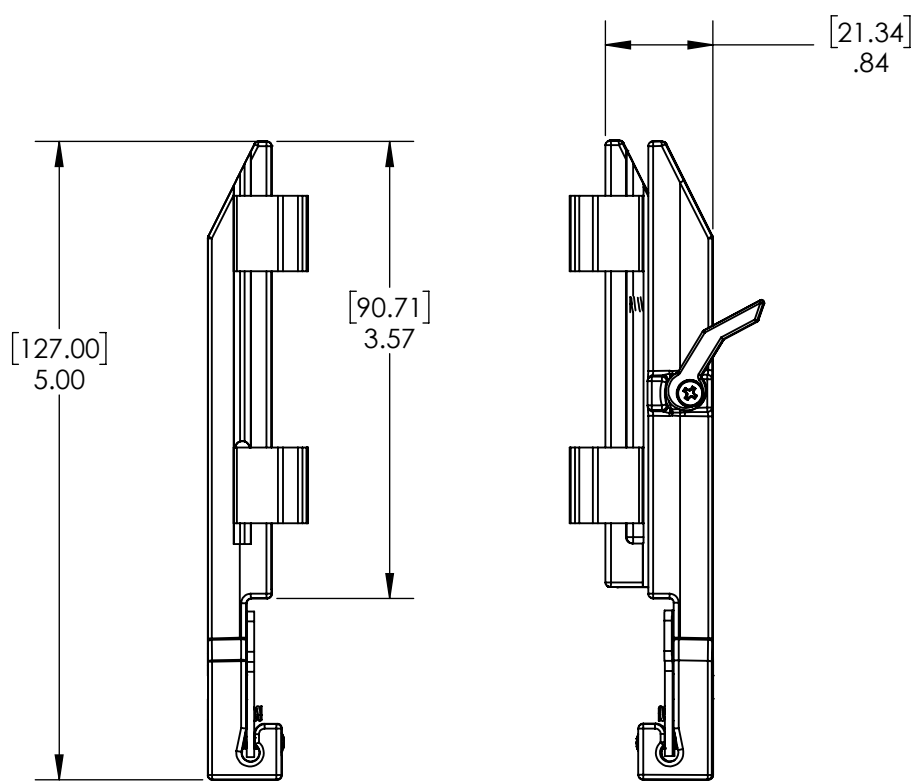


8 7 6 5 4 3 2 1

REVISIONS				
ZONE	REV.	DESCRIPTION	DRAWN/DATE	APPROVED/DATE
	PR1	INITIAL RELEASE OF PRODUCT SPECIFICATIONS	IM 10/04/2017	

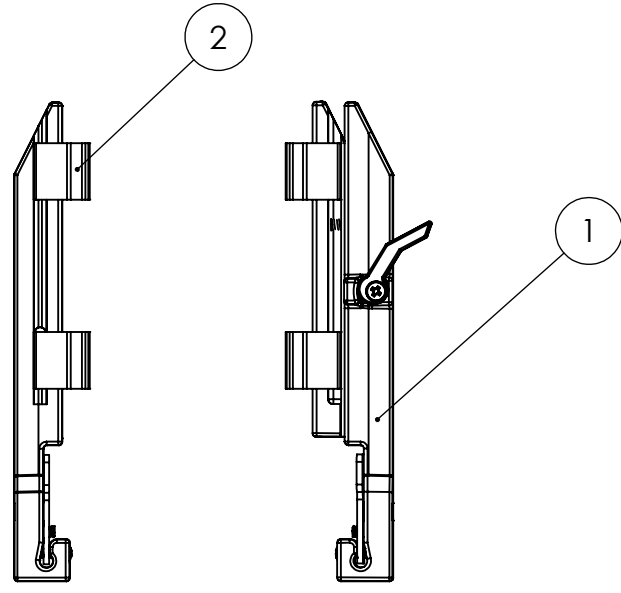


**SPECIFICATIONS**


OVERALL HEIGHT: .....6.0 [152.40]  
 ROTATION: .....360 DEGREES  
 SWIVEL: .....360 DEGREES  
 PIVOT: .....210 DEGREES  
 SHIPPING WEIGHT: .....0.18 POUNDS [.08KG]  
 VISE OPENING: .....4 1/2 [114.30] MAXIMUM  
 JAW HEIGHT: .....4 1/8 [104.78]

**MATERIAL**

1. VISE ARM PAIR ASSY: ALUMINUM #380 DIE CAST
2. STANDOFFS: SILICONE RUBBER, BLACK, SHORE 80±5



**PROPRIETARY AND CONFIDENTIAL**  
 THE INFORMATION CONTAINED IN THIS DRAWING IS THE SOLE PROPERTY OF PANAVISE PRODUCTS INC. ANY REPRODUCTION IN PART OR AS A WHOLE WITHOUT THE WRITTEN PERMISSION OF PANAVISE PRODUCTS INC IS PROHIBITED.

UNLESS OTHERWISE SPECIFIED:		NAME	DATE	 7540 Colbert Drive, Reno, Nevada 89511-1225 Phone (775) 850-2900 Fax (775) 850-2929 <b>TITLE: MODEL 216 SPEC SHEET</b>	
DIMENSIONS ARE IN INCHES		DRAWN	IM		100417
TOLERANCES:		CHECKED			
FRACTIONAL ±1/64		ENG APPR.			
ANGULAR:		MFG APPR.			
MACH ±1/2° BEND ±1°		Q.A.			
TWO PLACE DECIMAL ±.01		COMMENTS:			
THREE PLACE DECIMAL ±.005					
INTERPRET GEOMETRIC TOLERANCING PER: ASME 14.5M -2009					
MATERIAL					
NEXT ASSY	USED ON	FINISH		SIZE <b>B</b> DWG. NO. <b>216 SP</b> REV <b>A</b>	
APPLICATION		DO NOT SCALE DRAWING		SCALE: 1:2 WEIGHT: SHEET 1 OF 1	

8 7 6 5 4 3 2 1