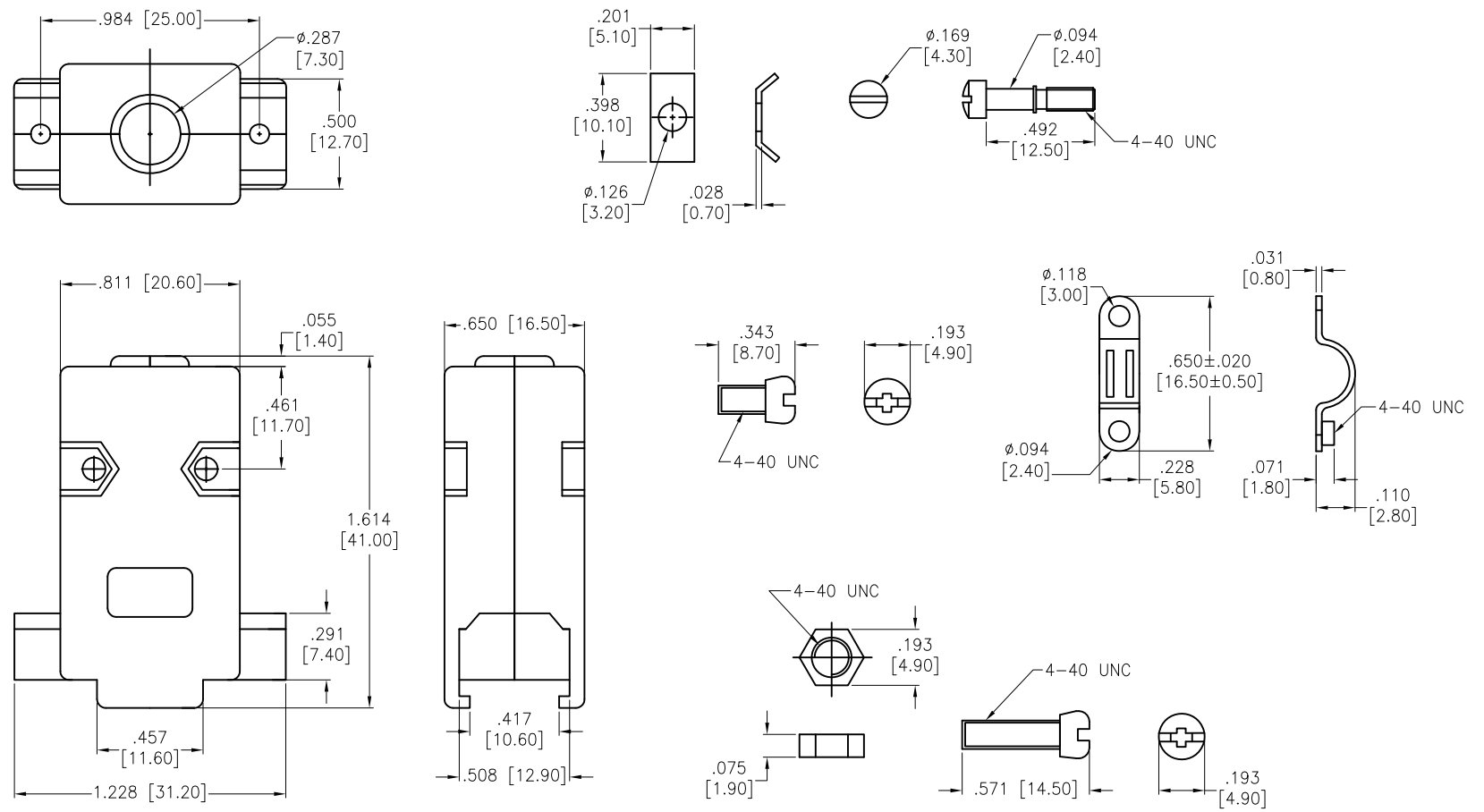


APPROVED: _____
 DATE: _____ TITLE: _____

Rev	AWO #	Description	Date	Appr
-		RELEASED	5/22/15	
A		UPDATE DIM.	9/24/19	AY/NL



SPECIFICATIONS:
 Material:
 Insulator: ABS, rated UL 94HB
 Insulator color: Chrome Plastic
 Hardware: Steel, Chromate plated
 Environmental:
 Lead free, RoHS compliant



UNLESS OTHERWISE SPECIFIED
 ALL DIMENSIONS ARE INCHES [MM]
 TOLERANCES: EXCEPT AS NOTED

INCHES		HOLES	
.X	± .10	Ø.X	± .10
.XX	± .020	Ø.XX	± .015
.XXX	± .015	Ø.XXX	± .010

APPROVALS		DATE
DRAWN	HR	5/22/15
CHECKED	LL	5/22/15
APPROVED		

ADAM TECH INTERCONNECTS 909 Rahway Avenue,
 Union, NJ 07083
 Phone: 908-687-5000
 Fax: 908-687-5710

TITLE: **D-SUB HOOD, SHORT SCREWS**

SIZE X	PART NO. DE09-HD-PN-SS	REV. A
REF: S00064T	SCALE: NTS	SHEET 1 OF 1