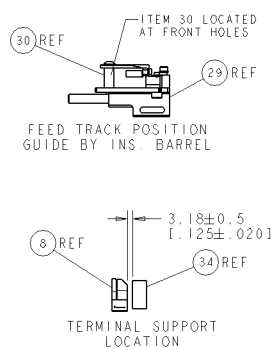
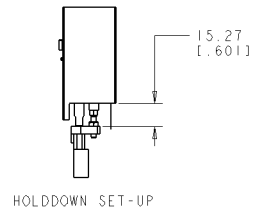
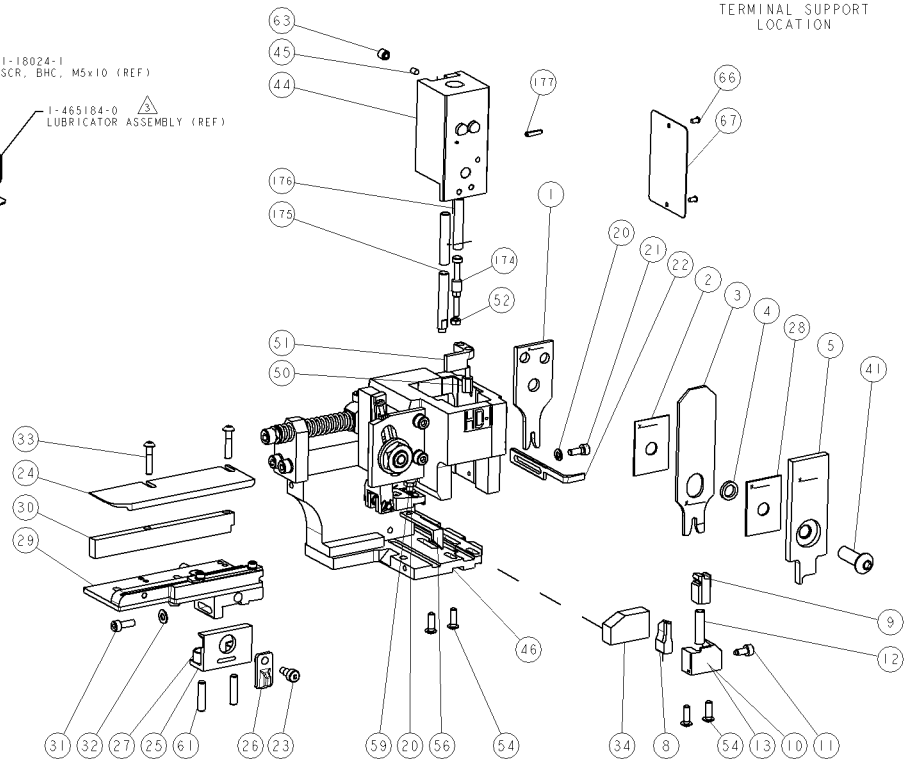
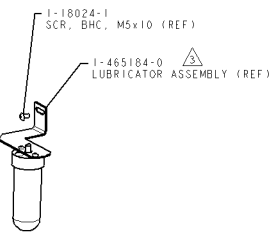
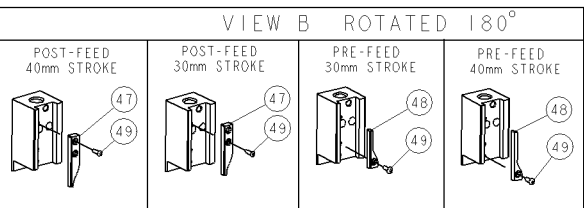


PART NUMBER	REV	TERMINATOR	FEED TYPE	DESCRIPTION
1530105-1	B	LEADMAKER	MECH POST FEED	CUTS CARRIER
1530105-2	B	BENCH	MECH PRE FEED	CUTS CARRIER
1530105-6	A	LEADMAKER	MECH POST FEED	CONTINUOUS CARRIER
7-1530105-1	B	LEADMAKER	MECH POST FEED	-1 AND SPARE PARTS
7-1530105-2	B	BENCH	MECH PRE FEED	-2 AND SPARE PARTS
7-1530105-6	A	LEADMAKER	MECH POST FEED	-6 AND SPARE PARTS
7-1530105-7	A	-	-	SPARE PARTS KIT

WIRE SIZE	CRIMP HEIGHT	REF SETTINGS
2.50mm ²	1.85 ± 0.05 [.073 ± .002 IN]	B3
2.00mm ²	1.70 ± 0.05 [.067 ± .002 IN]	C3
1.50mm ²	1.55 ± 0.05 [.061 ± .002 IN]	D5

- RECOMMENDED SPARE PARTS.
- GREASE RAM, CAM, CAM FOLLOWER AND FEED ROD LIGHTLY.
- CERTAIN TERMINALS REQUIRE LUBRICATION. REFER TO THE APPLICATOR INSTRUCTION SHEET FOR MORE INFORMATION.
- LUBRICATE DAILY PER THE APPLICATOR INSTRUCTION SHEET SUPPLIED WITH THE APPLICATOR.
- FEED WILL REQUIRE ADJUSTMENT WHEN CHANGING FROM ONE TERMINAL TO THE OTHER.
- WARNING: TENSILE VALUE FOR 2.00mm² & 2.50mm² TO BE 165N, NOT VALUES REFERENCED BY 114-18022.



SET UP GAGE
458637-3

REV	DESCRIPTION	DATE	BY	APP
A	RELEASED	19870909	KJS	GB
A1	ECR-09-01141	19870909	MY	TE
B	REVISED ECR-10-005761	20060910	C.C	S.X

QTY	UNIT	DESCRIPTION	ITEM NO
1	1	993111-8 PIN, SLOTTED SPRING 3.0 X 12.0	177
2	2	3-22280-7 SPRING, COMPRESSION	176
1	1	1752353-1 GUIDE PIN, HOLDDOWN	175
1	1	1901680-1 GUIDE PIN, HOLDDOWN	174
1	1	1338705-3 DOCUMENTATION PACKAGE	71
1	1	461264-5 PLATE, IDENTIFICATION	67
2	2	21017-2 SCREW, DRIVE	66
1	1	3-18031-0 SCR, SET, CUP POINT M6 X 6.0	63
2	2	2-18032-5 SCR, SET, FLT POINT M5 X 20.0	61
1	1	5-18022-2 SCR, HEX HD CAP M4 X 8.0	59
1	1	1338685-1 PAWL, FEED	56
4	4	18024-8 SCR, BTN SKT HD CAP (M4 X 12.0)	54
1	1	1-18030-0 NUT, HEX, REG M3.5	52
1	1	1901681-1 HOLDDOWN, TERMINAL	51
1	1	2-1752354-4 STANDOFF, HOLD-DOWN	50
1	1	18024-3 SCR, BTN SKT HD CAP (M3 X 10.0)	49
1	1	1338675-1 CAM, UNIVERSAL PRE-FEED	48
1	1	1338676-1 CAM, UNIVERSAL POST-FEED	47
1	1	1320999-3 APPLICATOR SUBASSEMBLY, HD1	46
1	1	690191-1 PLUG, NYLON	45
1	1	1633124-1 RAM, (SIDE FEED)	44
1	1	2-18024-6 SCR, BTN SKT HD CAP (M8 X 25.0)	41
1	1	690125-1 SHIM SUB-ASSY	39
1	1	879103-2 FINE ADJUST HEAD ASSEMBLY	37
1	1	1-1752356-3 SUPPORT, TERMINAL	34
2	2	1-18024-0 SCR, BTN SKT HD CAP (M4 X 20.0)	33
1	1	18027-2 WASHER, FLAT, REG M4	32
1	1	1-18023-2 SCR, SKT HD CAP M4 X 12.0	31
1	1	1320908-8 SPACER, STRIP GUIDE	30
1	1	1633073-2 STRIP GUIDE ASSEMBLY	29
1	1	1-455888-0 SPACER, CRIMPER	28
2	2	1-22284-0 SPRING, COMPRESSION	27
1	1	356835-1 LEVER, DRAG RELEASE	26
1	1	240792-1 DRAG, TERMINAL	25
1	1	1320928-1 PLATE, STRIP GUIDE	24
1	1	980371-4 SCR, SKT HD SHLDR 5.0 DIA X 6.0	23
1	1	690472-2 STRIPPER	22
1	1	1-18023-1 SCR, SKT HD CAP M4 X 10.0	21
2	2	18025-2 WASHER, SPRG LOCK, REG M4	20
1	1	690472-1 STRIPPER	19
1	1	1338684-1 SHEAR HOLDER, FRONT	13
1	1	3-22280-3 SPRING, COMPRESSION	12
1	1	356885-4 STOP, SHEAR	11
1	1	1320921-1 SHEAR HOLDER, FRONT, CUT	10
1	1	454276-1 FLOATING SHEAR, FRONT	9
1	2	1-1333206-8 ANVIL, COMBINATION 100	8
1	1	2-455889-0 DEPRESSOR, SHEAR	5
1	1	238011-8 BLOCK, CRIMPER SPACER	4
1	2	805783-5 CRIMPER, INSULATION	3
1	1	455888-9 SPACER, CRIMPER	2
1	2	456407-8 CRIMPER, WIRE PREMIUM	1

DIMENSIONS	UNITS	DESCRIPTION	ITEM NO
1	1	2380200	1
1	1	2380200	1
1	1	2380200	1
1	1	2380200	1