

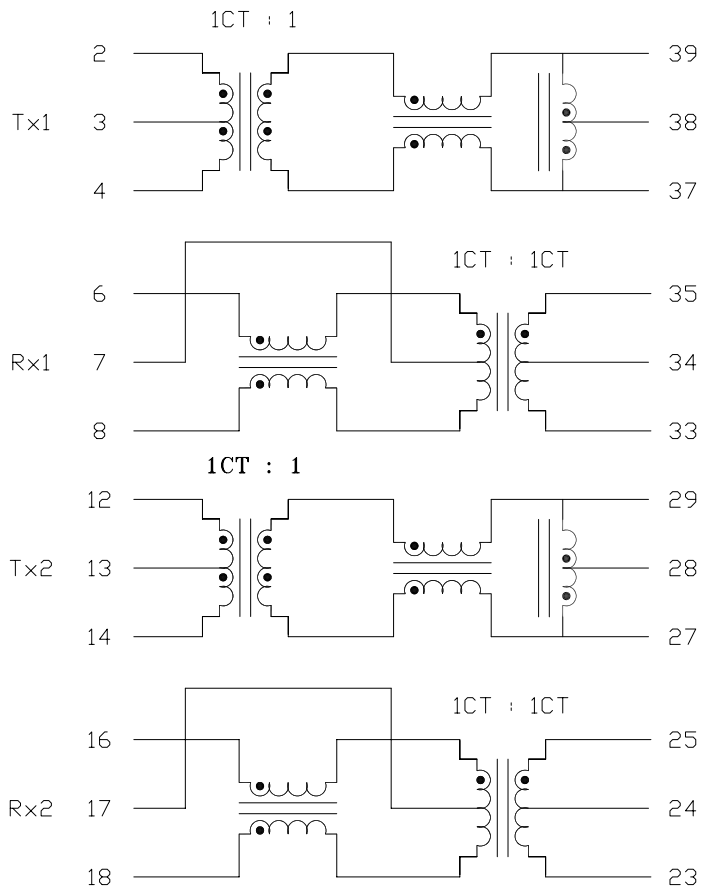
THE INFORMATION CONTAINED HEREIN IS CONSIDERED "PROPRIETARY" TO BEL FUSE INC. AND SHALL NOT BE COPIED, REPRODUCED OR DISCLOSED WITHOUT THE WRITTEN APPROVAL OF BEL FUSE INC.

PRELIMINARY



ELECTRICAL CHARACTERISTICS @ 25°C

SCHEMATIC



TURNS RATIO
 Tx SIDE: 1CT : 1
 Rx SIDE: 1CT : 1CT
 POLARITY: 2 & 39, 6 & 35, 12 & 29, 16 & 25
 IN PHASE
 DCL: 350uH MIN. @ 100kHz, 100mV
 WITH 8mA D.C. BIAS
 INSERTION LOSS: 1.0dB MAX. AT 100kHz TO 80MHZ
 RETURN LOSS: MEASURED UNDER A 100 Ω ENVIRONMENT
 RISE TIME: 2.5 nS TYP.
 COMMON TO DIFFEENTIAL MODE REJECTION: 40dB MIN. AT 100kHz TO 100MHZ
 COMMON TO COMMON MODE REJECTION: 30dB MIN. AT 100kHz TO 100MHZ
 CROSSTALK: 35dB MIN. AT 100kHz TO 100MHZ
 HIPOT: PER HAND-WORK-03

FREQ.(MHz)	2	5	10	30	45	60	80
dB MIN	20	20	20	18	15	12	10

DRWN	DATE	TITLE
DQ Chen	12-10-04	10/100BT DUAL MAGNETICS MODULE
CHKD	DATE	
HQ	12-10-04	S558-5999-79-F

PART NO. / DRAWING NO.	FILE NAME
X558599979-F	X558599979FPA.DWG

STANDARD DIM.	[] METRIC DIM. AS REFERENCE
TOL. IN INCH	UNIT : INCH [mm]
.X	SCALE : N/A
.XX	SIZE : A4
.XXX	PAGE : 2

UNIT : INCH [mm]	REV. : PA
SCALE : N/A	SIZE : A4
PAGE : 2	



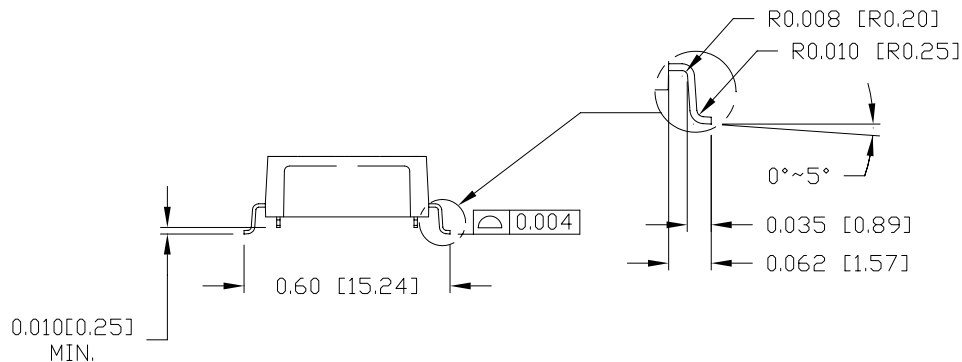
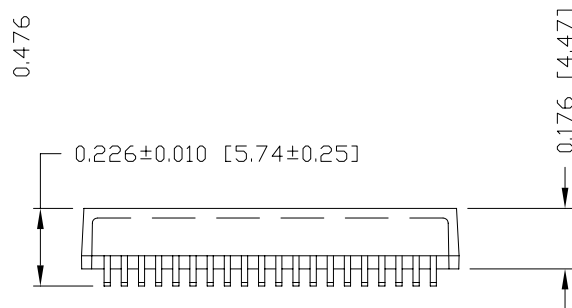
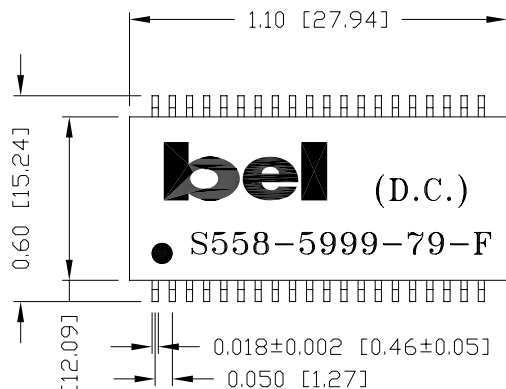
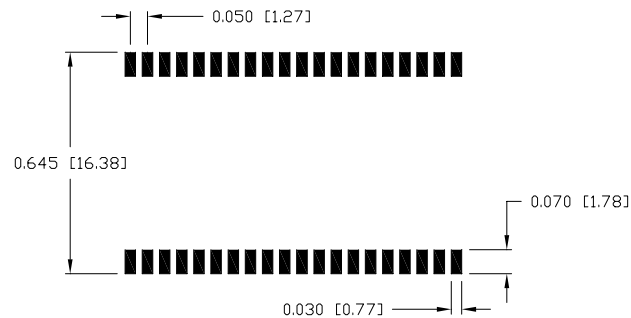
THE INFORMATION CONTAINED HEREIN IS CONSIDERED "PROPRIETARY" TO BEL FUSE INC. AND SHALL NOT BE COPIED, REPRODUCED OR DISCLOSED WITHOUT THE WRITTEN APPROVAL OF BEL FUSE INC.

PRELIMINARY

RoHS
2002/95/EC



SUGGESTED PCB PAD LAYOUT



NOTES:

- STANDARD MARKING REFER TO DOC. HAND-WORK-04.
- PACKAGE CODE: "RRS001".

DRWN Yang Hao	DATE 12-10-04	TITLE MECHANICAL DRAWING S558-5999-79-F	PART NO. / DRAWING NO. X558599979-F	STANDARD DIM. TOL. IN INCH		[] METRIC DIM. AS REFERENCE		REV. : PA	bel COMPONENTS FOR A CONNECTED PLANET
				.X		UNIT : INCH [mm]	SCALE : N/A		
CHKD Lawrence	DATE 12-10-04		FILE NAME X558599979FPA.DWG	.XX	±0.01			PAGE : 3	
				.XXX	±0.005				