



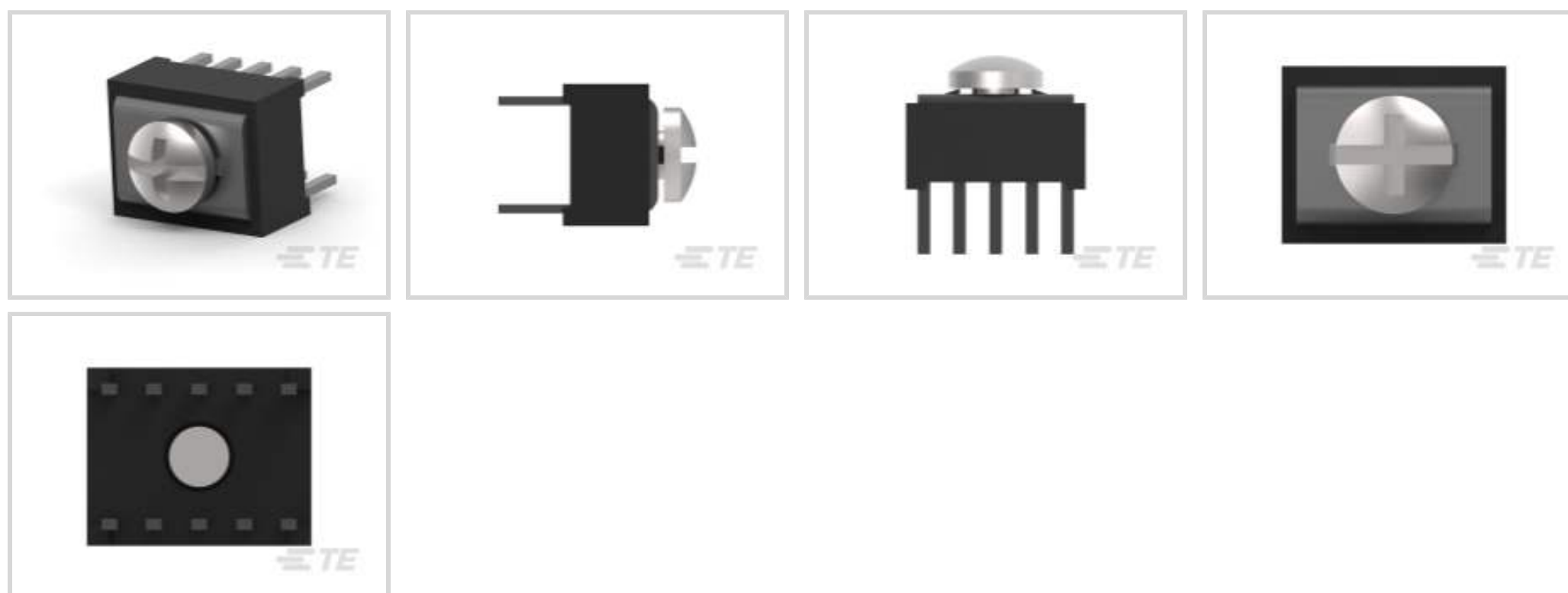
AMP POWER TAP

TE Internal #: 9-55556-0

Power Terminals, Power Tap, Terminates To Printed Circuit Board,
10 Position, 2.54 mm [.1 in] Centerline, Vertical, Stamped &
Formed, Tin, Tin

[View on TE.com >](#)

Terminals & Splices > Power Terminals



Power Terminal Type: **Power Tap**

Product Terminates To: **Printed Circuit Board**

Number of Positions: **10**

Contact Current Rating (Max): **25 A**

Centerline (Pitch): **2.54 mm [.1 in]**

Features

Product Type Features

Footprint	7.62 x 2.54 mm [.3 x .1 in]
-----------	-----------------------------

Power Terminal Type	Power Tap
---------------------	-----------

Configuration Features

Number of Positions	10
---------------------	----

PCB Mount Orientation	Vertical
-----------------------	----------

Body Features

Terminal Profile	Low
------------------	-----

Contact Features

Contact Current Rating (Max)	25 A
------------------------------	------

Contact Fabrication	Stamped & Formed
---------------------	------------------

Contact Mating Area Plating Material	Tin
--------------------------------------	-----

Contact Mating Area Plating Material Thickness	3.81 μm [150 μin]
--	-------------------

PCB Contact Termination Area Plating Material	Tin
---	-----

PCB Contact Termination Area Plating Material Thickness	3.81 μm [150 μin]
---	-------------------



Contact Base Material	Copper Alloy
-----------------------	--------------

Termination Features

Termination Method to Printed Circuit Board	Through Hole - Press-Fit
---	--------------------------

Termination Method to Wire & Cable	Tap Screw
------------------------------------	-----------

Product Terminates To	Printed Circuit Board
-----------------------	-----------------------

Mechanical Attachment

Thread Size	6-32
-------------	------

Housing Features

Housing Material	Nylon - GF
------------------	------------

Centerline (Pitch)	2.54 mm [.1 in]
--------------------	-----------------

Dimensions

PCB Thickness (Recommended)	1.57 – 3.18 mm [.062 – .125 in]
-----------------------------	---------------------------------

Product Length	12.7 mm [.5 in]
----------------	-----------------

Usage Conditions

Insulation Option	Uninsulated
-------------------	-------------

Operating Temperature Range	-55 – 85 °C [-67 – 185 °F]
-----------------------------	----------------------------

Packaging Features

Packaging Method	Bulk
------------------	------

Product Compliance

For compliance documentation, visit the product page on [TE.com](https://www.te.com)>

EU RoHS Directive 2011/65/EU	Compliant
------------------------------	-----------

EU ELV Directive 2000/53/EC	Compliant
-----------------------------	-----------

China RoHS 2 Directive MIIT Order No 32, 2016	No Restricted Materials Above Threshold
---	---

EU REACH Regulation (EC) No. 1907/2006	Current ECHA Candidate List: JUNE 2023 (235) Candidate List Declared Against: JUNE 2023 (235) Does not contain REACH SVHC
--	---

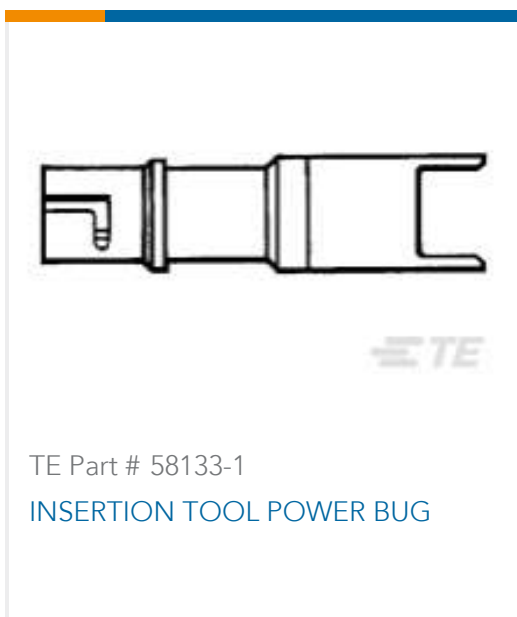
Halogen Content	Not Low Halogen - contains Br or Cl > 900 ppm.
-----------------	--

Solder Process Capability	Wave solder capable to 265°C
---------------------------	------------------------------

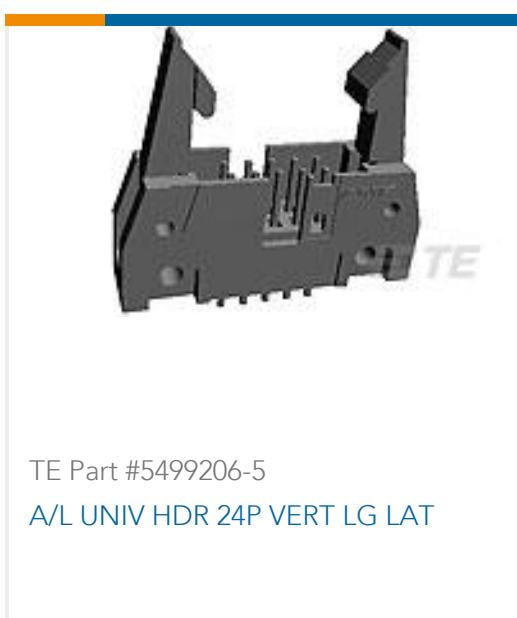
Product Compliance Disclaimer

This information is provided based on reasonable inquiry of our suppliers and represents our current actual knowledge based on the information they provided. This information is subject to change. The part numbers that TE has identified as EU RoHS compliant have a maximum concentration of 0.1% by weight in homogenous materials for lead, hexavalent chromium, mercury, PBB, PBDE, DBP, BBP, DEHP, DIBP, and 0.01% for cadmium, or qualify for an exemption to these limits as defined in the Annexes of Directive 2011/65/EU (RoHS2). Finished electrical and electronic equipment products will be CE marked as required by Directive 2011/65/EU. Components may not be CE marked. Additionally, the part numbers that TE has identified as EU ELV compliant have a maximum concentration of 0.1% by weight in homogenous materials for lead, hexavalent chromium, and mercury, and 0.01% for cadmium, or qualify for an exemption to these limits as defined in the Annexes of Directive 2000/53/EC (ELV). Regarding the REACH Regulation, the information TE provides on SVHC in articles for this part number is based on the latest European Chemicals Agency (ECHA) 'Guidance on requirements for substances in articles' posted at this URL: <https://echa.europa.eu/guidance-documents/guidance-on-reach>

Compatible Parts



Customers Also Bought





Documents

Product Drawings

10 POWER TAP ASSY WITH SCREW #6-32

English

CAD Files

Customer View Model

[ENG_CVM_CVM_9-55556-0_T.2d_dxf.zip](#)

English

3D PDF

3D

Customer View Model

[ENG_CVM_CVM_9-55556-0_T.3d_igs.zip](#)

English

Customer View Model

[ENG_CVM_CVM_9-55556-0_T.3d_stp.zip](#)

English

By downloading the CAD file I accept and agree to the [Terms and Conditions](#) of use.

Product Specifications

Application Specification

English

Product Environmental Compliance

[MD_9-55556-0_100920171230_dmtec](#)

English

[MD_9-55556-0_100920171230_dmtec](#)

English