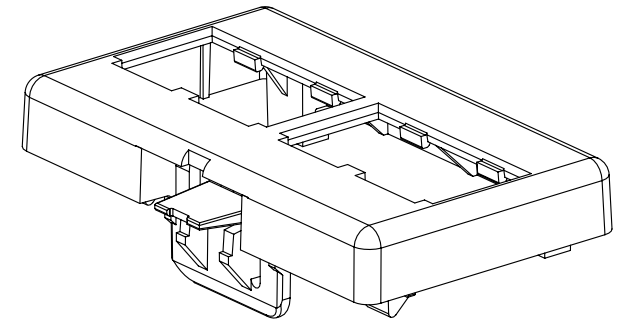
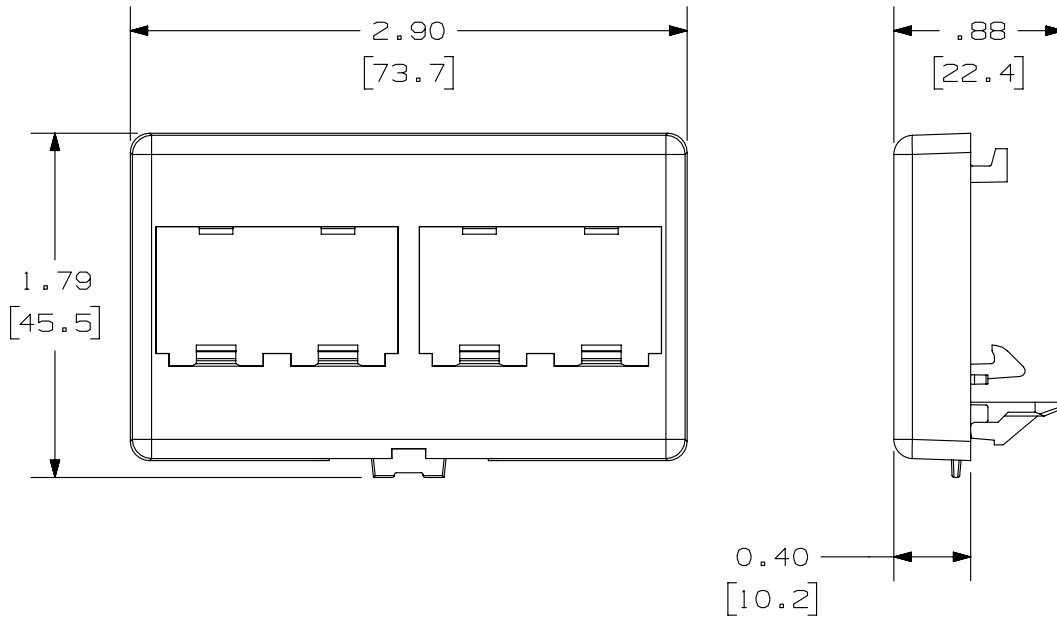


THIS COPY IS PROVIDED ON A RESTRICTED BASIS AND IS NOT TO BE USED IN ANY WAY DETRIMENTAL TO THE INTERESTS OF PANDUIT CORP.

PANDUIT P/N	WEIGHT
CFFP4**	.20 LB/10 PCS (108.8 g/10 PCS)

NOTES:

- SEE CURRENT CATALOG FOR ADDITIONAL PART NUMBER SUFFIXES TO INDICATE COLOR AND OR PACKAGE QUANTITY.
- SEE CATALOG FOR COMPLETE LIST OF PARTS APPLICABLE FOR USE WITH THIS PART.
- DIMENSIONS IN [] ARE IN METRIC.
- FACEPLATE ACCEPTS 4 MINI-COM MODULES.
- FACEPLATE SNAPS INTO STANDARD FURNITURE OPENING. (1.375 X 2.710)



PART NUMBER		CFFP4**	
TITLE			
MINI-COM 4 POSITION FURNITURE FACEPLATE			
CUSTOMER DRAWING			
ITEM REVISION NAME		M00806ZZ/08	
DATASET FILE NAME		M00806ZZ_DC/08A	
UNLESS OTHERWISE SPECIFIED, DIMENSIONAL TOLERANCES ARE: IN [mm]		MATERIAL:	
.x ± .03 [.8]		ABS	
.xxx ± .010 [.3]		DRAWING NUMBER:	
ANGLES ±		00806-02	
THIRD ANGLE PROJECTION		SHT 1 OF 1	
DRAWN BY	DATE	CHK	SCALE
JSP	8-11-99	MECA	NONE
REV	DATE	BY	CHK
2	3/11/14	JSP	REFR
1	6-27-01	JSP	JAJP
R	8-11-99	JSP	MECA
APR		MECA	
DESCRIPTION		ECN	
C. REVISED DRAWING TITLE BLOCK.		00806-02	
B. ADDED LOCATION TABS.		00806-02	
A. MODEL CHANGE; ADDED SNAP STOP FEATURES.		00806-02	
RELEASED TO PRODUCTION		00806-02	

D10100DA/14