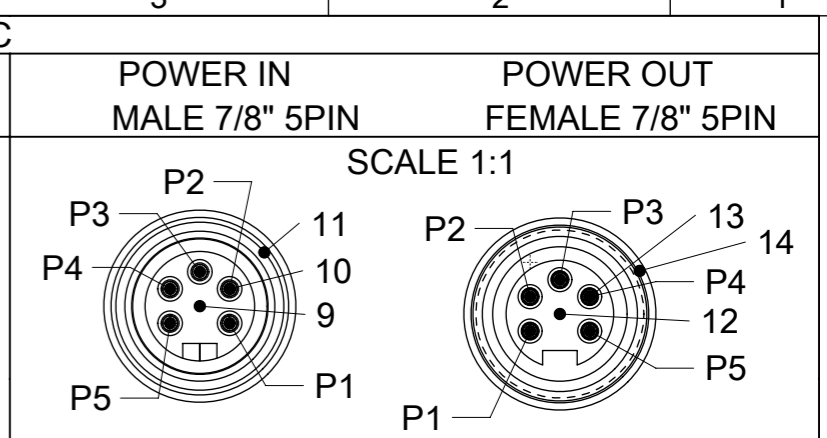
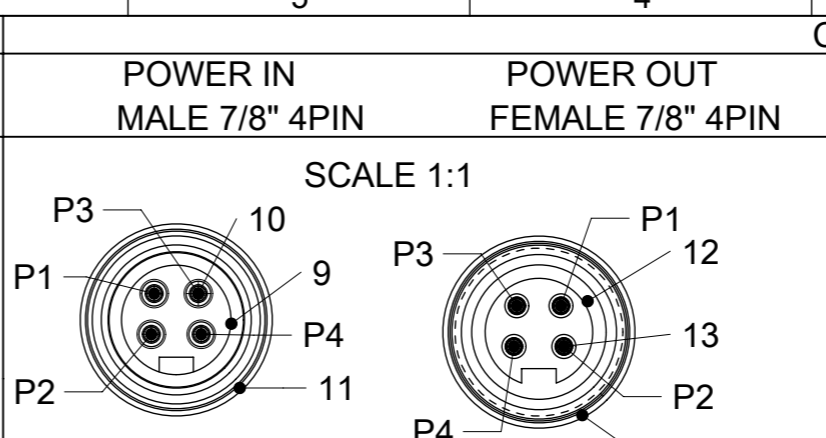
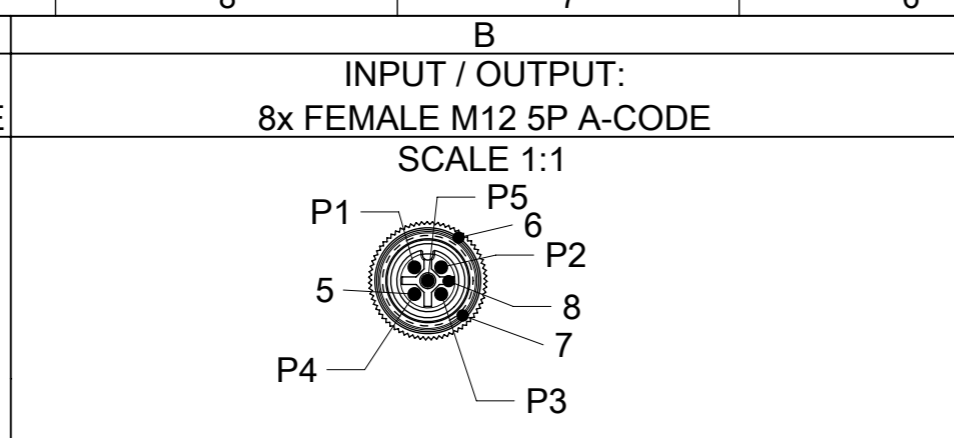
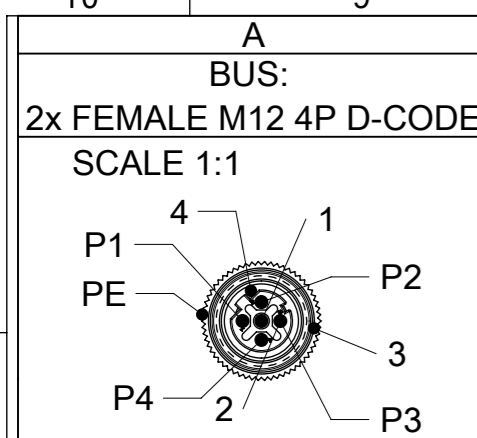


SCALE 1:2

THIS DRAWING CONTAINS INFORMATION THAT IS PROPRIETARY TO MOLEX ELECTRONIC TECHNOLOGIES, LLC AND SHOULD NOT BE USED WITHOUT WRITTEN PERMISSION									
DIMENSION UNITS		SCALE		CURRENT REV DESC: OBSOLETE PART NUMBERS					
mm		1:1							
GENERAL TOLERANCES (UNLESS SPECIFIED)									
ANGULAR TOL ± °				IO:ENET/IP:IP67-60MM:8P5:16 DCONFIG U12 4P 2PT DC FE					
4 PLACES ±				EC NO: 638770		2020/03/30		PRODUCT CUSTOMER DRAWING	
3 PLACES ±				DRWN: RPRABHUM		2020/07/21		DOCUMENT NUMBER	
2 PLACES ±				CHK'D: GGA		2020/07/21		1120955011	
1 PLACE ± 0.3				APPR: GGA		2020/07/21		DOC TYPE	
0 PLACES ± 0.5				INITIAL REVISION:		2019/02/28		DOC PART	
DRAFT WHERE APPLICABLE MUST REMAIN WITHIN DIMENSIONS				DRWN: SSM		2019/03/27		REVISION	
THIRD ANGLE PROJECTION				APPR: RSILLER		2019/03/27		A3	
DRAWING				SERIES		MATERIAL NUMBER		CUSTOMER	
A3-SIZE				112095		SEE TABLE 3,4,5,6,7,8		GENERAL MARKET	
SHEET NUMBER				1 OF 7					



WIRING INFORMATION
P1 TX+
P2 RX+
P3 TX-
P4 RX-

WIRING INFORMATION INPUT
P1 - +24 VDC
P2 - Input (even)
P3 - 0 V (Ground)
P4 - Input (odd)
P5 - PE (Protected Earth)

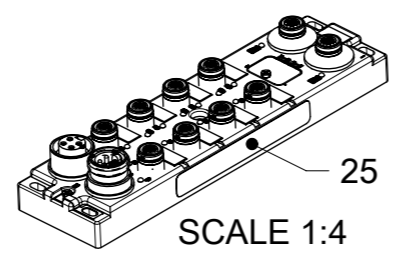
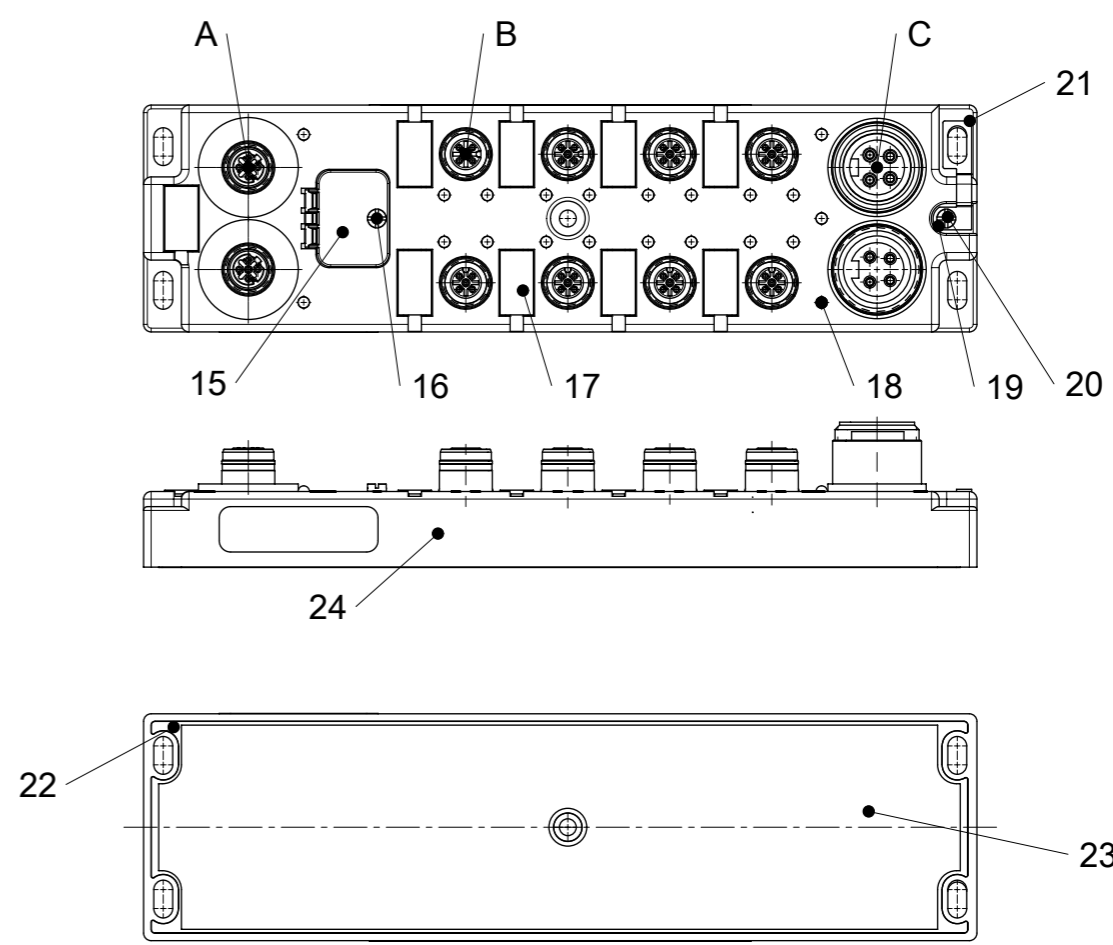
WIRING INFORMATION OUTPUT
P1 - N/C
P2 - Output (even)
P3 - 0 V (Ground)
P4 - Output (odd)
P5 - PE (Protected Earth)

WIRING INFORMATION
P1 - +24 VDC (Outputs Power)
P2 - +24 VDC (Module & Inputs Power)
P3 - 0 V (Module & Inputs Power)
P4 - 0 V (Outputs Power)

WIRING INFORMATION
P1 - 0 V (Outputs Power)
P2 - 0 V (Module & Inputs Power)
P3 - PE (Protected Earth)
P4 - +24 VDC (Module and Inputs Power)
P5 - +24 VDC (Outputs Power)

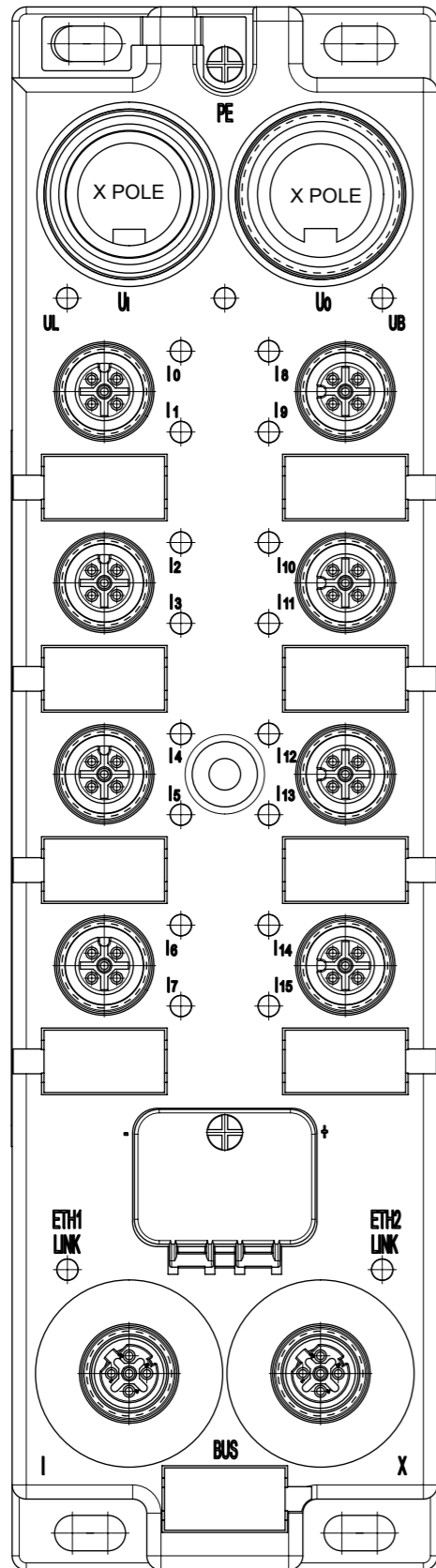
BILL OF MATERIAL

ITEM	DESCRIPTION	MATERIAL	FINISH
1	INSERT	TPU	BLACK
2	CONTACT	COPPER ALLOY	GOLD OVERNICKEL
3	SHELL	BRASS	NICKEL PLATET
4	GASKET	FPM	BLACK
5	CONTACT	COPPER ALLOY	GOLD OVER NICKEL
6	GASKET	FPM	BLACK
7	SHELL	BRASS	NICKEL PLATET
8	INSERT	TPU	BLACK
9	INSERT	TPE	YELLOW
10	CONTACT	COPPER ALLOY	GOLD OVERNICKEL
11	SHELL	BRASS	NICKEL PLATET
12	INSERT	TPE	YELLOW
13	CONTACT	COPPER ALLOY	GOLD OVER NICKEL
14	SHELL	BRASS	NICKEL PLATET
15	WINDOW	PC	TRANSPARENT
16	SCREW	V2A	-
17	LABEL	PC	WHITE
18	FIBER OPTIC	PA	TRANSPARENT
19	WASHER	BRASS	NICKEL PLATET
20	SCREW	V2A	-
21	SHIELD PLATE	STAINLESS STEEL	-
22	RESIN	EPOXY	TRANSPARENT
23	LABEL	PVC	WHITE
24	HOUSING	PBT	BLACK
25	LABEL	PVC	YELLOW



THIS DRAWING CONTAINS INFORMATION THAT IS PROPRIETARY TO MOLEX ELECTRONIC TECHNOLOGIES, LLC AND SHOULD NOT BE USED WITHOUT WRITTEN PERMISSION

DIMENSION UNITS mm	SCALE 1:2	CURRENT REV DESC: OBSOLETE PART NUMBERS	
GENERAL TOLERANCES (UNLESS SPECIFIED)			
ANGULAR TOL ± °			
4 PLACES ±	EC NO: 638770	IO:ENET/IP:IP67-60MM:8P5:16 DCONFIG U12 4P 2PT DC FE	
3 PLACES ±	DRWN: RPRABHUM 2020/03/30	PRODUCT CUSTOMER DRAWING	
2 PLACES ±	CHK'D: GGA 2020/07/21	DOCUMENT NUMBER	
1 PLACE ± 0.3	APPR: GGA 2020/07/21	1120955011	
0 PLACES ± 0.5	INITIAL REVISION:	DOC TYPE	DOC PART
DRAFT WHERE APPLICABLE MUST REMAIN WITHIN DIMENSIONS	DRWN: SSM 2019/02/28	PSD	000
THIRD ANGLE PROJECTION	APPR: RSILLER 2019/03/27	REVISION	A3
	DRAWING	SHEET NUMBER	2 OF 7
	A3-SIZE	MATERIAL NUMBER	GENERAL MARKET
	SERIES	CUSTOMER	
	112095		

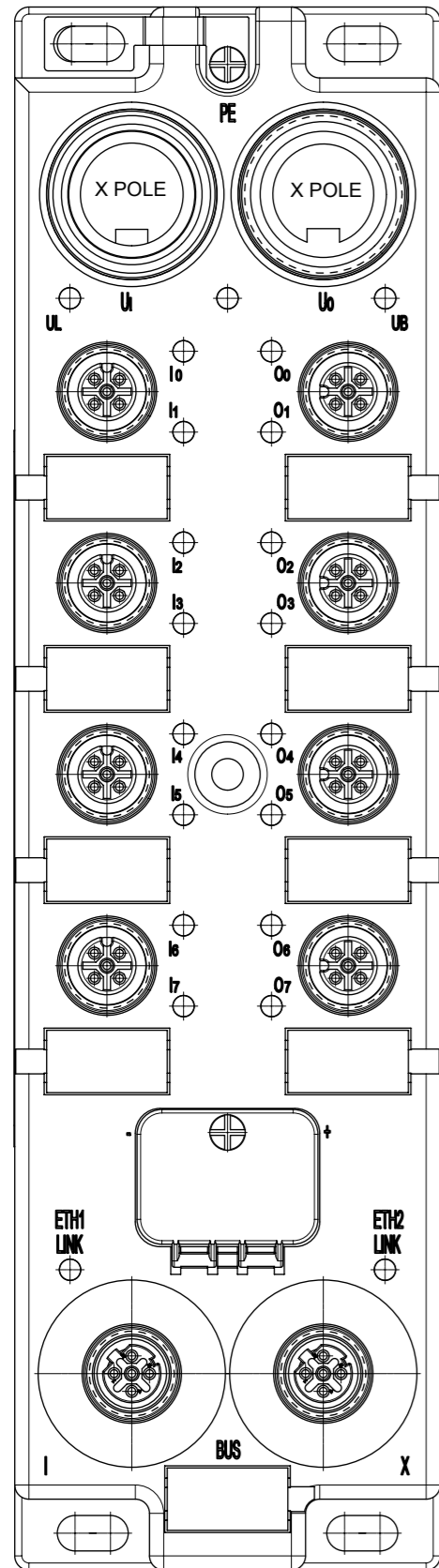


16 IN PRINTING

TABLE 1 16 IN PRINTING

POWER TYPE	INPUT/OUTPUT		EtherNet/IP		PROFINET		3D MODEL NO.
		16I	ENG. NO	MOLEX P/N	ENG. NO	MOLEX P/N	
7/8" 5 POLE	PNP	16I			TCDEP-8D0P-D1U-G	1120955048	1120955011- PDM
7/8" 4 POLE		16I	TCDEI-8D0P-DYU-G01	1120955002			
		16I	TCDEI-8D0P-DYU-G02	1120955137			

THIS DRAWING CONTAINS INFORMATION THAT IS PROPRIETARY TO MOLEX ELECTRONIC TECHNOLOGIES, LLC AND SHOULD NOT BE USED WITHOUT WRITTEN PERMISSION									
DIMENSION UNITS	SCALE	CURRENT REV DESC: OBSOLETE PART NUMBERS							
mm	1:1								
GENERAL TOLERANCES (UNLESS SPECIFIED)									
ANGULAR TOL	± °	IO:ENET/IP:IP67:60MM:8P5:16 DCONFIG U12 4P 2PT DC FE							
4 PLACES	±	PRODUCT CUSTOMER DRAWING							
3 PLACES	±	EC NO: 638770 DRWN: RPRABHUM 2020/03/30 CHK'D: GGA 2020/07/21 APPR: GGA 2020/07/21							
2 PLACES	±	INITIAL REVISION:							
1 PLACE	± 0.3	DRWN: SSM 2019/02/28 APPR: RSILLER 2019/03/27							
0 PLACES	± 0.5	DOCUMENT NUMBER		DOC TYPE		DOC PART		REVISION	
DRAFT WHERE APPLICABLE MUST REMAIN WITHIN DIMENSIONS		THIRD ANGLE PROJECTION		DRAWING		SERIES		MATERIAL NUMBER	
				A3-SIZE		112095		SEE TABLE 3,4,5,6,7,8	
				GENERAL MARKET		CUSTOMER		SHEET NUMBER	
						1120955011		3 OF 7	

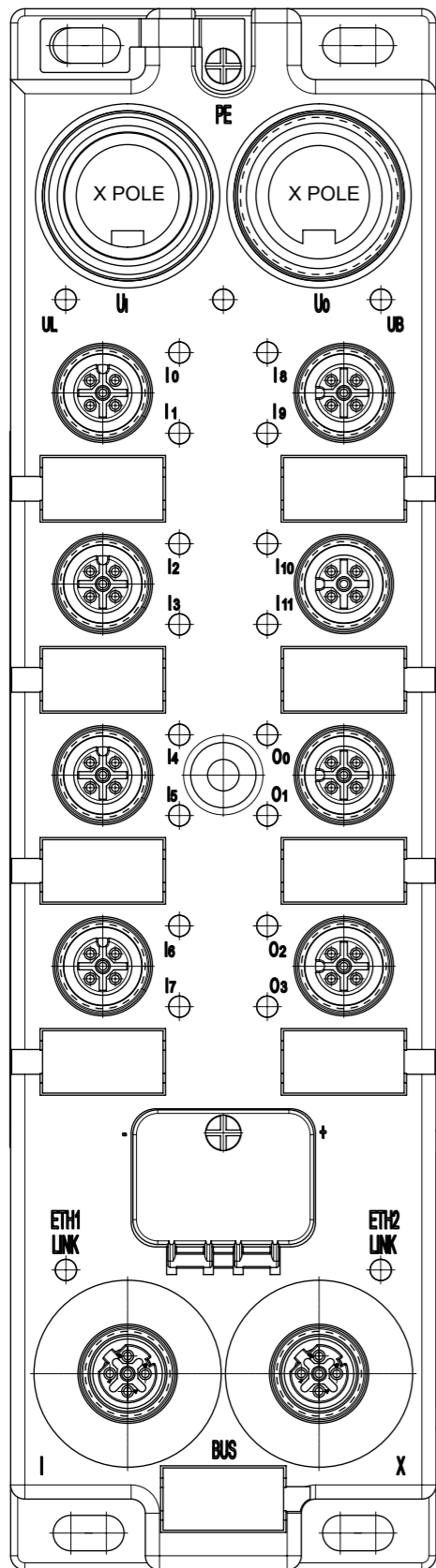


8I/8O IN PRINTING

TABLE 2 8I/8O PRINTING

POWER TYPE	INPUT/OUTPUT	EtherNet/IP		PROFINET		3D MODEL NO.
		ENG. NO	MOLEX P/N	ENG. NO	MOLEX P/N	
7/8" 5 POLE	PNP	8I/8O	TCDEI-888P-D1U-G		TCDEP-888P-D1U-G	1120955050
7/8" 4 POLE		8I/8O	TCDEI-888P-DYU-G	1120955041	TCDEP-888P-DYU-G	1120955053
			TCDEI-888P-DYU-G01	1120955072		
		TCDEI-888P-DYU-G02	1120955138			

THIS DRAWING CONTAINS INFORMATION THAT IS PROPRIETARY TO MOLEX ELECTRONIC TECHNOLOGIES, LLC AND SHOULD NOT BE USED WITHOUT WRITTEN PERMISSION											
DIMENSION UNITS	SCALE	CURRENT REV DESC: OBSOLETE PART NUMBERS									
mm	1:1										
GENERAL TOLERANCES (UNLESS SPECIFIED)											
ANGULAR TOL	± °	IO:ENET/IP:IP67:60MM:8P5:16 DCONFIG U12 4P 2PT DC FE									
4 PLACES	±	PRODUCT CUSTOMER DRAWING									
3 PLACES	±	DOCUMENT NUMBER									
2 PLACES	±	1120955011									
1 PLACE	± 0.3	DOC TYPE									
0 PLACES	± 0.5	PSD									
DRAFT WHERE APPLICABLE MUST REMAIN WITHIN DIMENSIONS		THIRD ANGLE PROJECTION		DRAWING		SERIES		MATERIAL NUMBER		CUSTOMER	
				A3-SIZE		112095		SEE TABLE 3,4,5,6,7,8		GENERAL MARKET	
										SHEET NUMBER	
										4 OF 7	

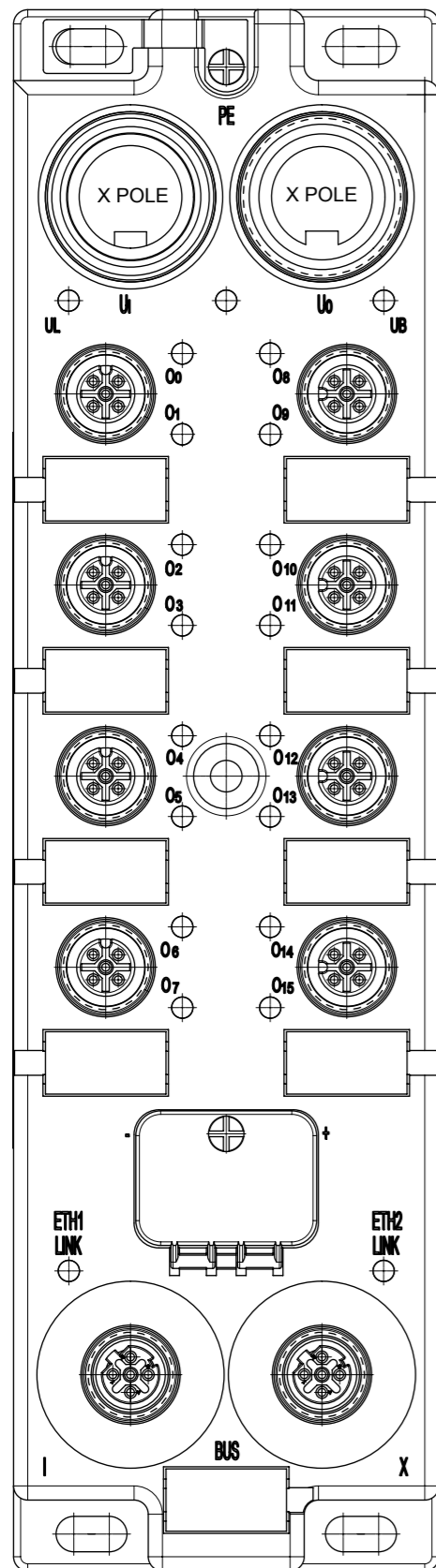


12I/4O PRINTING

TABLE 3 12I/4O PRINTING

POWER TYPE	INPUT/OUTPUT	EtherNet/IP		PROFINET		3D MODEL NO.
		ENG. NO	MOLEX P/N	ENG. NO	MOLEX P/N	
7/8" 5 POLE	PNP	12I/4O	TCDEI-8B4P-D1U-G	TCDEP-8B4P-D1U-G	1120955051	1120955011 - PDM
7/8" 4 POLE		12I/4O	TCDEI-8B4P-DYU-G02	1120955139		

THIS DRAWING CONTAINS INFORMATION THAT IS PROPRIETARY TO MOLEX ELECTRONIC TECHNOLOGIES, LLC AND SHOULD NOT BE USED WITHOUT WRITTEN PERMISSION									
DIMENSION UNITS	SCALE	CURRENT REV DESC: OBSOLETE PART NUMBERS							
mm	1:1								
GENERAL TOLERANCES (UNLESS SPECIFIED)									
ANGULAR TOL	± °	IO:ENET/IP:IP67:60MM:8P5:16 DCONFIG U12 4P 2PT DC FE							
4 PLACES	±	PRODUCT CUSTOMER DRAWING							
3 PLACES	±	EC NO: 638770 DRWN: RPRABHUM 2020/03/30 CHK'D: GGA 2020/07/21 APPR: GGA 2020/07/21							
2 PLACES	±	INITIAL REVISION:							
1 PLACE	± 0.3	DRWN: SSM 2019/02/28 APPR: RSILLER 2019/03/27							
0 PLACES	± 0.5	DOCUMENT NUMBER		DOC TYPE		DOC PART		REVISION	
DRAFT WHERE APPLICABLE MUST REMAIN WITHIN DIMENSIONS		THIRD ANGLE PROJECTION		DRAWING		SERIES		MATERIAL NUMBER	
				A3-SIZE		112095		1120955011 SEE TABLE 3,4,5,6,7,8	
				GENERAL MARKET		PSD		000 A3	
								SHEET NUMBER	
								5 OF 7	



160 PRINTING

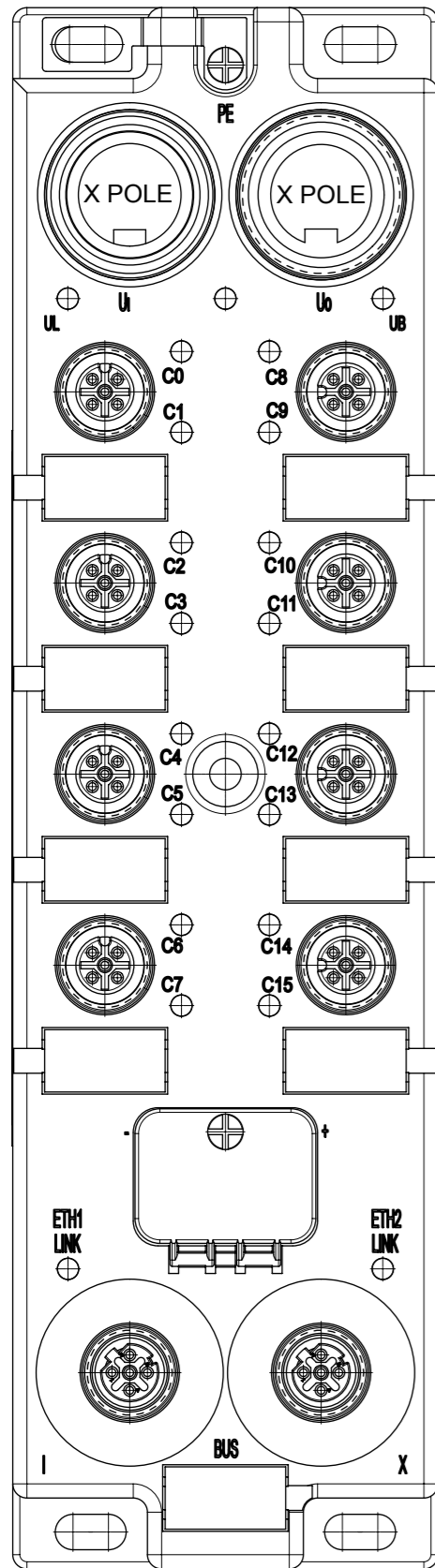
TABLE 4 160 PRINTING

POWER TYPE	INPUT/OUTPUT	EtherNet/IP		PROFINET		3D MODEL NO.
		ENG. NO	MOLEX P/N	ENG. NO	MOLEX P/N	
7/8" 5 POLE	PNP	160	TCDEI-80DP-D1U-G	TCDEP-80DP-D1U-G	1120955049	1120955011 - PDM
7/8" 4 POLE		160	TCDEI-80D8-DYU-G01	1120955074		

THIS DRAWING CONTAINS INFORMATION THAT IS PROPRIETARY TO MOLEX ELECTRONIC TECHNOLOGIES, LLC AND SHOULD NOT BE USED WITHOUT WRITTEN PERMISSION									
DIMENSION UNITS	SCALE	CURRENT REV DESC: OBSOLETE PART NUMBERS							
mm	1:1								
GENERAL TOLERANCES (UNLESS SPECIFIED)									
ANGULAR TOL	± °	IO:ENET/IP:IP67:60MM:8P5:16 DCONFIG U12 4P 2PT DC FE							
4 PLACES	±	PRODUCT CUSTOMER DRAWING							
3 PLACES	±	DOCUMENT NUMBER							
2 PLACES	±	1120955011							
1 PLACE	± 0.3	DOC TYPE DOC PART REVISION							
0 PLACES	± 0.5	PSD 000 A3							
DRAFT WHERE APPLICABLE MUST REMAIN WITHIN DIMENSIONS	THIRD ANGLE PROJECTION	DRAWING	SERIES	MATERIAL NUMBER	CUSTOMER	SHEET NUMBER			
		A3-SIZE	112095	SEE TABLE 3,4,5,6,7,8	GENERAL MARKET	6 OF 7			

TABLE 5 16 USER CONFIG PRINTING

POWER TYPE	INPUT/OUTPUT		EtherNet/IP		PROFINET		3D MODEL NO.
			ENG. NO	MOLEX P/N	ENG. NO	MOLEX P/N	
7/8" 5 POLE	PNP	USER CONFIG	TCDEI-8YYX-D1U-G02	1120955117	TCDEP-8YYX-D1U-01	1120955115	1120955011 - PDM
7/8" 4 POLE			TCDEI-8YYX-DYU-G02	1120955116	TCDEP-8YYX-DYU-01		



THIS DRAWING CONTAINS INFORMATION THAT IS PROPRIETARY TO MOLEX ELECTRONIC TECHNOLOGIES, LLC AND SHOULD NOT BE USED WITHOUT WRITTEN PERMISSION		CURRENT REV DESC: OBSOLETE PART NUMBERS		molex	
DIMENSION UNITS	SCALE				
mm	1:1			IO:ENET/IP:IP67:60MM:8P5:16 DCONFIG U12 4P 2PT DC FE	
GENERAL TOLERANCES (UNLESS SPECIFIED)				PRODUCT CUSTOMER DRAWING	
ANGULAR TOL	± °			DOCUMENT NUMBER	
4 PLACES	±	EC NO: 638770	2020/03/30	1120955011	
3 PLACES	±	DRWN: RPRABHUM	2020/07/21	DOC TYPE	DOC PART
2 PLACES	±	CHK'D: GGA	2020/07/21	PSD	000
1 PLACE	± 0.3	APPR: GGA	2020/07/21	REVISION	
0 PLACES	± 0.5	INITIAL REVISION:		A3	
DRAFT WHERE APPLICABLE MUST REMAIN WITHIN DIMENSIONS		DRWN: SSM	2019/02/28	MATERIAL NUMBER	
		APPR: RSILLER	2019/03/27	SEE TABLE 3,4,5,6,7,8	
		THIRD ANGLE PROJECTION	DRAWING	SERIES	CUSTOMER
			A3-SIZE	112095	GENERAL MARKET
					SHEET NUMBER
					7 OF 7