



**RADIALL**<sup>®</sup>  
COAXIAL department

TECHNICAL DATA

R191.403.000

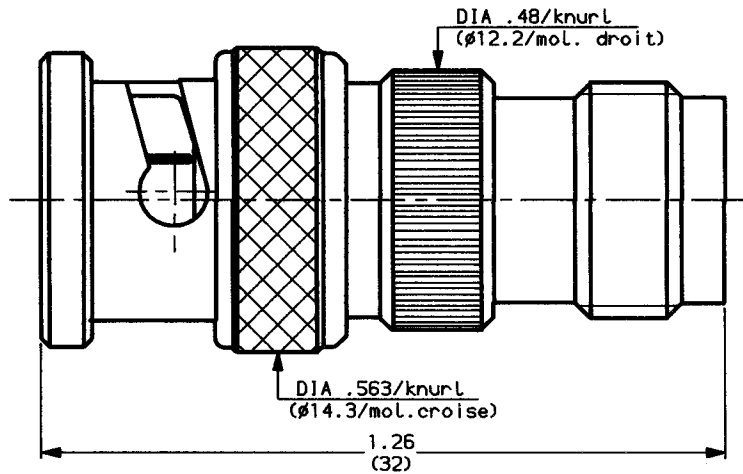
Issue : 9044

Page

BNC MALE-TNC FEMALE

SERIES ADAPT. 50

1 / 1



weight 0.63 oz ( 18 g)

CHARACTERISTICS

NOMINAL IMPEDANCE	50	Ω
FREQUENCY RANGE	0-4	GHz
TEMPERATURE RATING	-65/+165	°C
VSWR	1.25	Max
RF INSERTION LOSS	.115	√F dB Maxi
VOLTAGE RATING	500	Vrms Maxi
DIELECTRIC WITHSTANDING VOLTAGE	1500	Vrms mini
INSULATION RESISTANCE	5000	Ma mini
HERMETIC SEAL	NA	cc/s Atm.cm3/s
LEAKAGE (pressurized only)	NA	psi MPa
-	-	-
-	-	-

STANDARDISATION

CABLE RETENTION

NA Lb mini  
N

CENTER CONTACT RETENTION

Axial force - mating end 6.075 Lb mini  
27 N

Axial force - opposite end 6.075 Lb mini  
27 N

Torque (Min) NA Inch.oz  
cm.N

RECOMMENDED TORQUES

Mating NA Inch.Lb  
cm.N

Panel nut NA Inch.Lb  
cm.N

Clamp nut NA Inch.Lb  
cm.N

CONSTRUCTION

CONNECTOR PARTS	MATERIALS	FINISH
BODY	BRASS	NICKEL
OUTER CONTACT	BRASS	NICKEL
CENTER CONTACT	BERYLLIUM-COPPER	GOLD
INSULATORS	PTFE	-
COUPLING NUT	BRASS	NICKEL
-	-	-
-	-	-
-	-	-
-	-	-

ISSUE	REVISION No	DESCRIPTION	BY	DATE
.	.	.	.	.
.	.	.	.	.
.	.	.	.	.
.	.	.	.	.

Initiated on 29-OCT-90

The information given here is subject to change without notice. Design changes may be in order to improve the product.



Superseded on -----