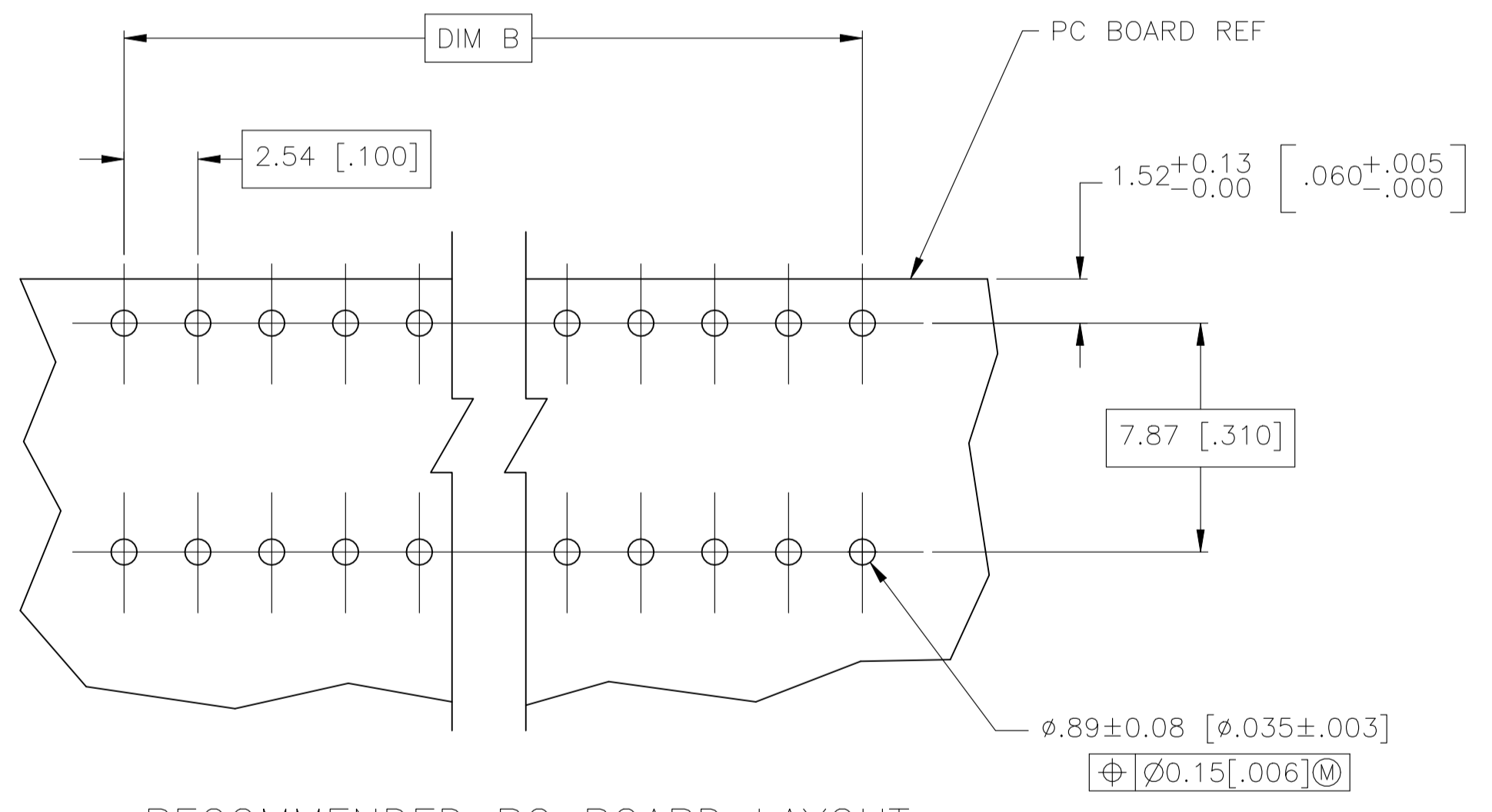
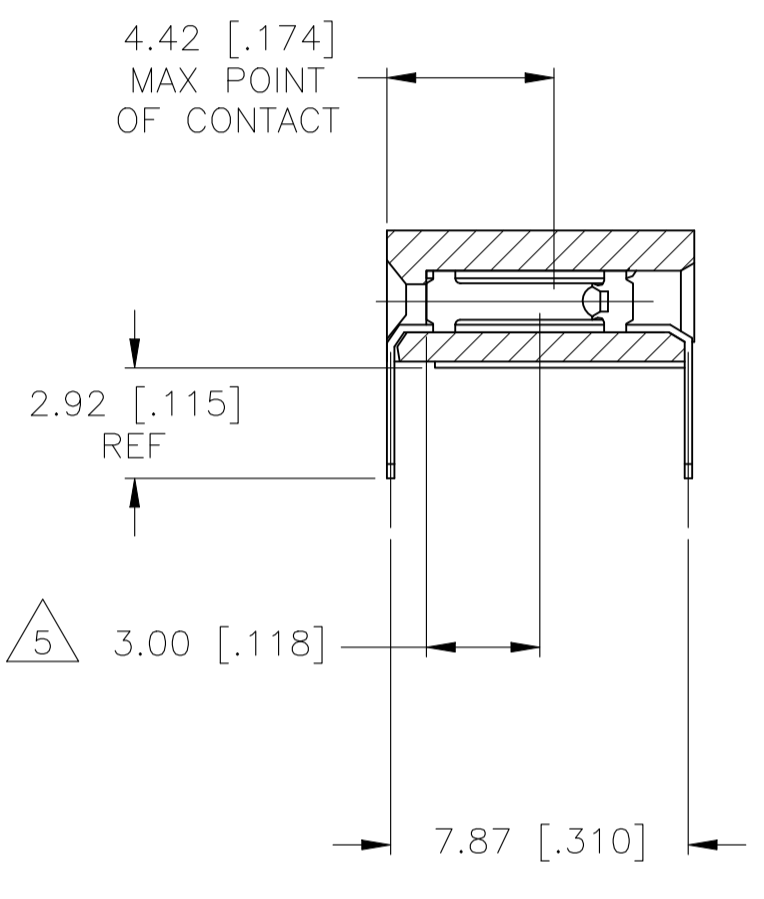
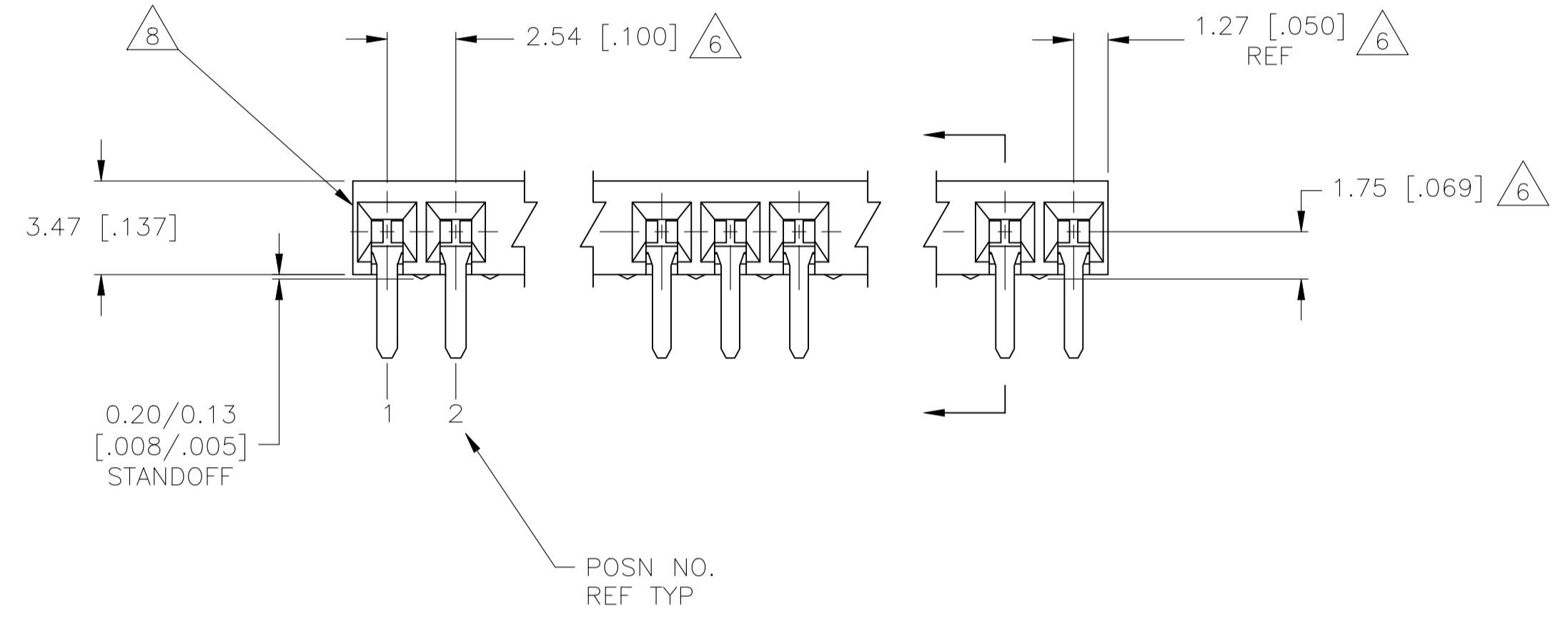
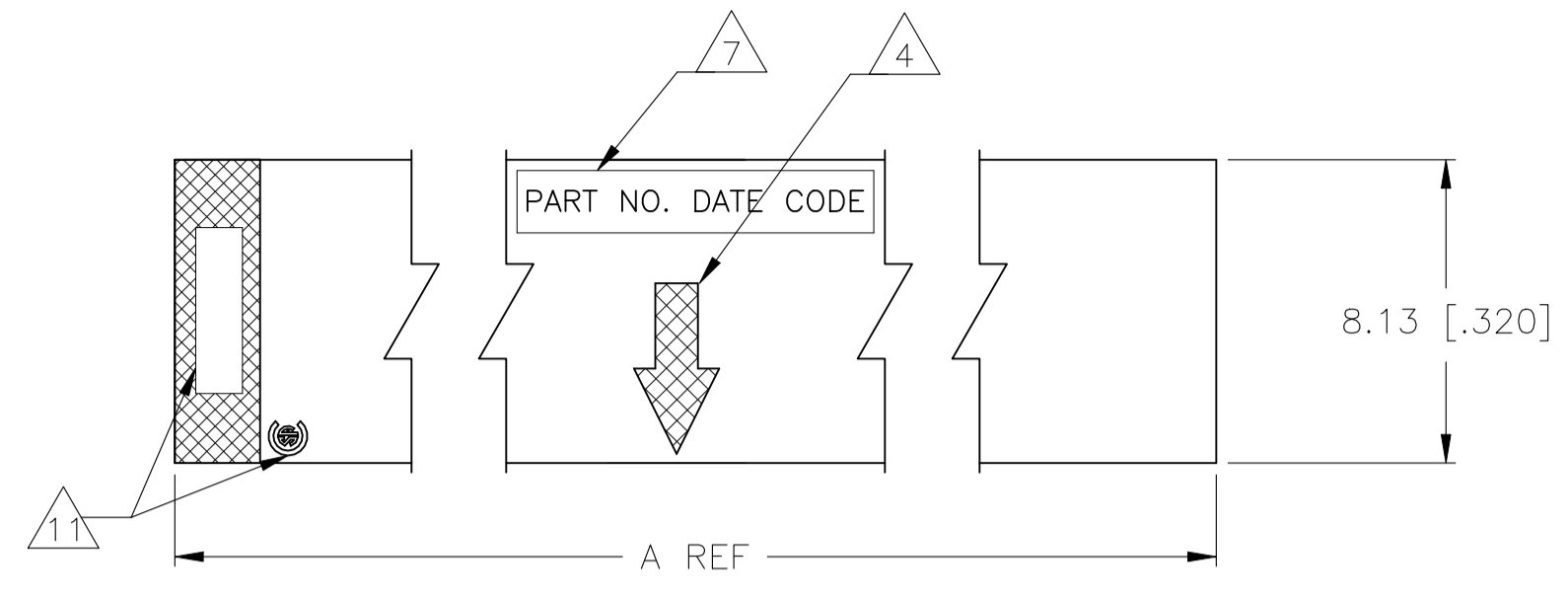


REVISIONS				
REV	DATE	DESCRIPTION	BY	APPV
B	26OCT2021	RESIN SUPPLIER CHANGE FOR THE HOUSING	SCB	KJK



RECOMMENDED PC BOARD LAYOUT

- 1 HOUSING MATERIAL: GLASS FILLED POLYESTER, COLOR- BLACK
- 2 CONTACT MATERIAL: PHOSPHOR BRONZE
- 3 CONTACT FINISH: 0.00076[.000030] THK DUPLEX PLATED GOLD ON CONTACT AREA, 3.81-7.62(.000150-.000300) MATTE TIN ALL OVER 0.00127[.000050] MIN NICKEL
- 4 MOLDED IN ARROW DESIGNATES THE MATING FACE OF THE CONNECTOR
- 5 POINT OF MEASUREMENT FOR PLATING THICKNESS OF CONTACT AREA
- 6 DIMENSIONS PERTAIN TO HOUSING CAVITY CENTERLINES
- 7 PART NUMBER AND DATE CODE MARKED IN APPROXIMATE LOCATION SHOWN,EITHER END
- 8 ALTERNATE LOCATION FOR DATE CODE FOR 2 AND 3 POSITION.
- 9 NO PART NUMBER MARKING REQUIRED FOR THIS PART.
- 10 ROHS 2002/95/EC COMPLIANT.
- 11 TE LOGO AND CSA LOGO ARE MOLDED INTO HOUSING, THIS LOCATION
- 12 CONTACT IN POSITION 2 OMITTED

REV	DATE	DESCRIPTION	BY	APPV
13	7-5535676-2			
65	6-5535676-4			
64	6-5535676-3			
63	6-5535676-2			
62	6-5535676-1			
61	6-5535676-0			
60	5-5535676-9			
59	5-5535676-8			
58	5-5535676-7			
57	5-5535676-6			
56	5-5535676-5			
55	5-5535676-4			
54	5-5535676-3			
53	5-5535676-2			
52	5-5535676-1			
51	5-5535676-0			
50	4-5535676-9			
49	4-5535676-8			
48	4-5535676-7			
47	4-5535676-6			
46	4-5535676-5			
45	4-5535676-4			
44	4-5535676-3			
43	4-5535676-2			
42	4-5535676-1			
41	4-5535676-0			
40	3-5535676-9			
39	3-5535676-8			
38	3-5535676-7			
37	3-5535676-6			
36	3-5535676-5			
35	3-5535676-4			
34	3-5535676-3			
33	3-5535676-2			
32	3-5535676-1			
31	3-5535676-0			
30	2-5535676-9			
29	2-5535676-8			
28	2-5535676-7			
27	2-5535676-6			
26	2-5535676-5			
25	2-5535676-4			
24	2-5535676-3			
23	2-5535676-2			
22	2-5535676-1			
21	2-5535676-0			
20	1-5535676-9			
19	1-5535676-8			
18	1-5535676-7			
17	1-5535676-6			
16	1-5535676-5			
15	1-5535676-4			
14	1-5535676-3			
13	1-5535676-2			
12	1-5535676-1			
11	1-5535676-0			
10	5535676-9			
9	5535676-8			
8	5535676-7			
7	5535676-6			
6	5535676-5			
5	5535676-4			
4	5535676-3			
3	5535676-2			
2	5535676-1			

THIS DRAWING IS A CONTROLLED DOCUMENT. DIN 9132

TE Connectivity

AMPMDU MODII RECP. ASSY., HORIZ., .100CL, 1 ROW CLOSED ENTRY, SPOC, END STACK

SIZE: A1 CAGE CODE: 00779 DRAWING NO: 5535676

CUSTOMER DRAWING SCALE: 5:1 SHEET: 1 OF 1 REV: B