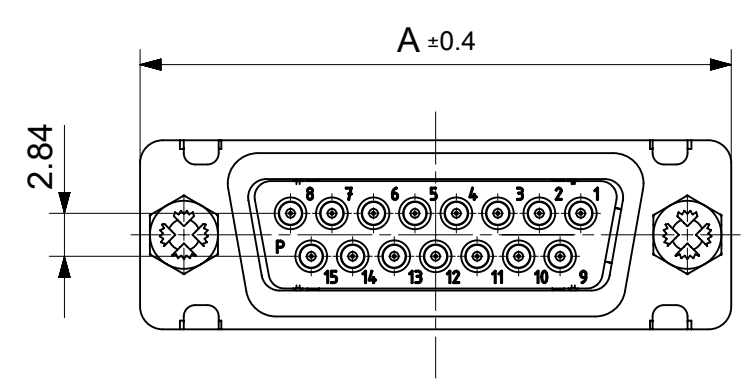
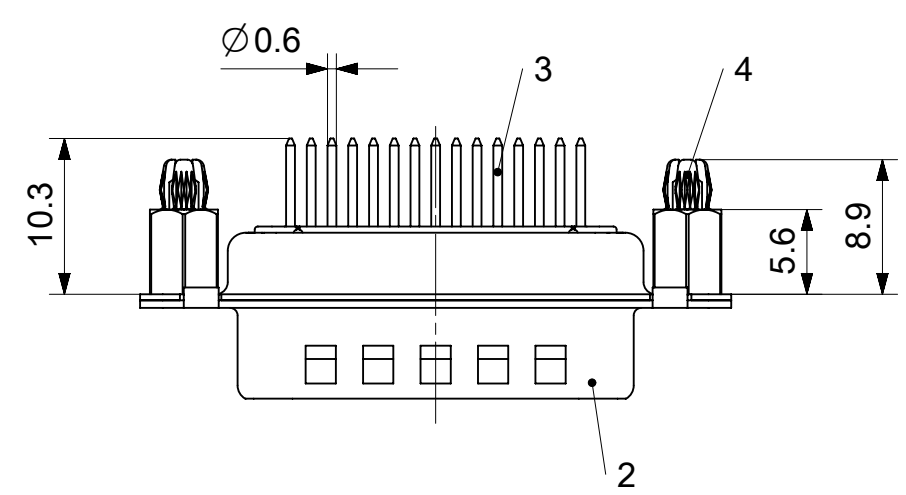
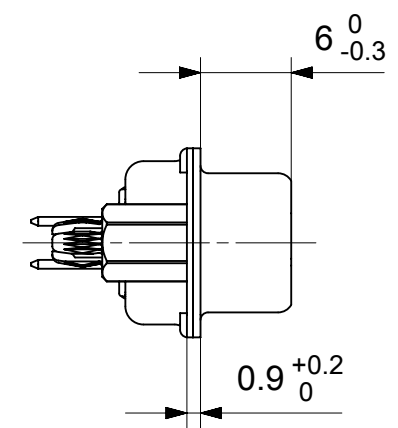
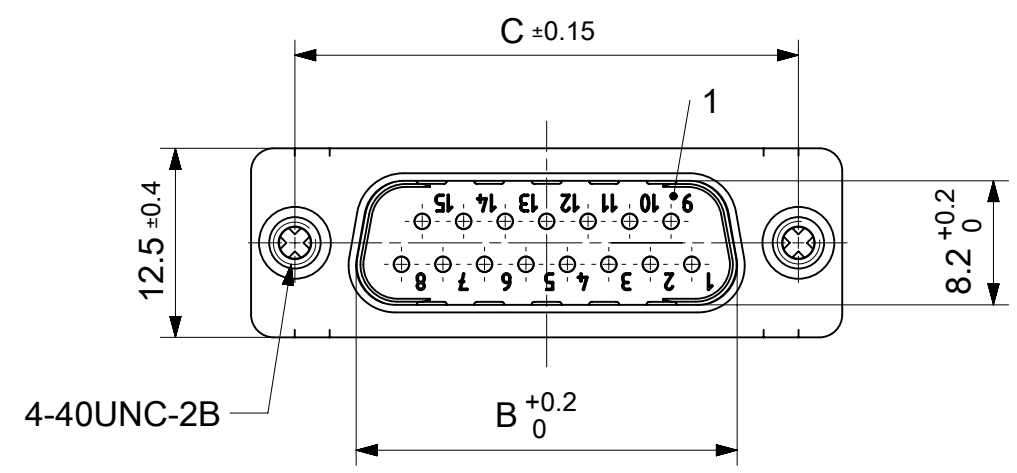


RoHS compliant  
by exemption



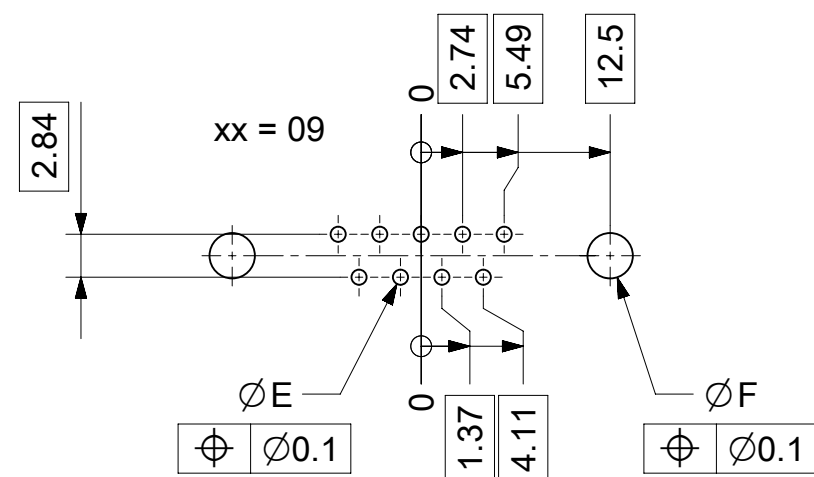
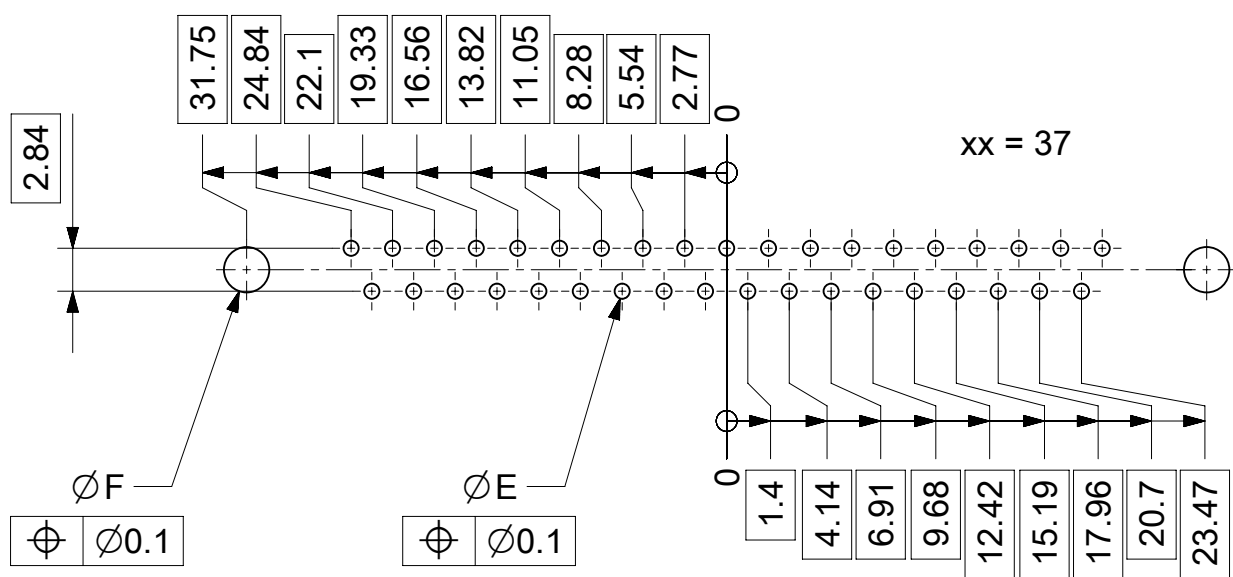
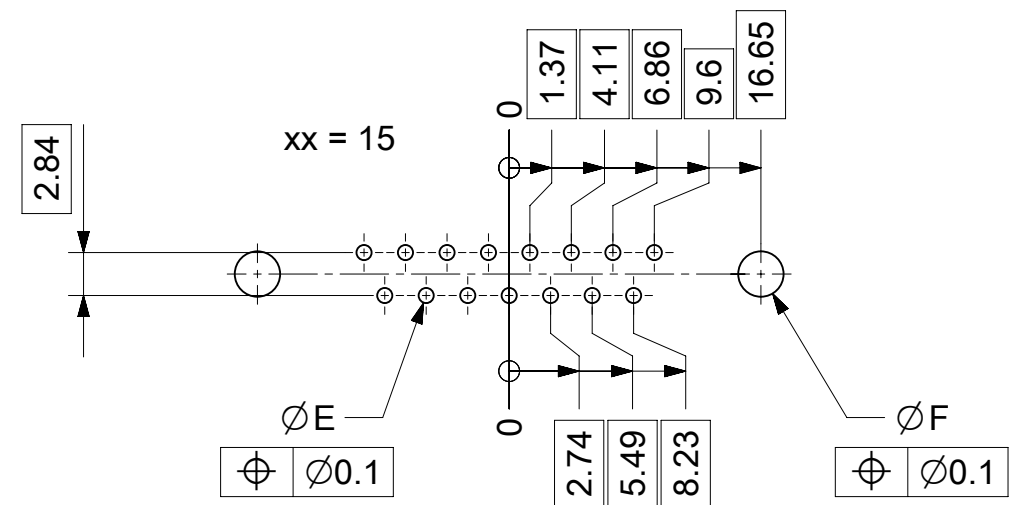
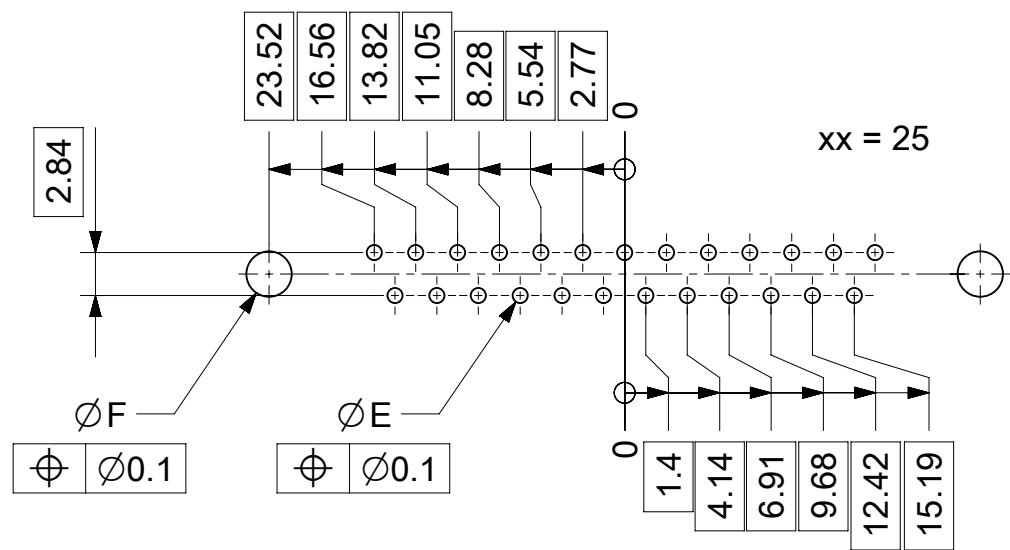
FCT Part number:  
Fxx\*1)P1y\*2)-0981  
e.g. F15P1G1-0981  
\*1) xx No. of contacts 09, 15, 25 or 37  
\*2) y for performance classes 1, 2 or 3  
(contact cycle for G1/G2/G3 = 500/200/50)

Material Number	xx*1)	y*2)	A[mm]	B[mm]	C[mm]	*E[mm]	*F[mm]
1731091046	09	G1	30.8	16.9	25	Ø1	Ø3
1731090353		G2					
1731091246	15	G1	39.1	25.2	33.3		
1731090426		G2					
1731091394	25	G1	53	38.9	47.04		
1731090427		G2					
1731091508	37	G1	69.3	55.3	63.5		
1731091962		G2					

\*PCB hole patterns ØE, ØF see document 2195600023

No.	Pc.	Part	Type Description/Material	Surface plating/Color/Class
4	2	Snap-in bolt	PCB 1.6mm / Brass	tin plated
3	xx	Signal contact	P1 / Brass	G1 / G2
2	1	Shell	Steel	tin plated
1	1	Insulator	PBT (-55°C to +125°C) acc. UL94V-0	white

MEASUREMENTS WITHOUT TOLERANCE ACC TO ISO 2768-m				REPLACEMENT FOR DOCUMENT NUMBER: FxxP1Gy-0981			
FUNCTIONAL SYMBOLS		THIS DRAWING CONTAINS INFORMATION THAT IS PROPRIETARY TO MOLEX ELECTRONIC TECHNOLOGIES, LLC AND SHOULD NOT BE USED WITHOUT WRITTEN PERMISSION		<div style="text-align: center; font-size: 24px; font-weight: bold;">molex</div> <p>FCT D-SUB MINIATURE CONNECTOR</p> <p>PRODUCT CUSTOMER DRAWING</p>			
$\nabla_A = 0$ $\nabla_E = 0$ $\nabla_F = 0$		DIMENSION UNITS: mm SCALE: 2:1 GENERAL TOLERANCES (UNLESS SPECIFIED) ANGULAR TOL ± °					
DIVISIONAL SYMBOLS		CURRENT REV DESC:		EC NO: 706086		2021/11/25	
4 PLACES ±		DRWN: SKANDB		2022/05/11		2022/05/11	
3 PLACES ±		CHK'D: MTEUBEL		2022/05/11		2022/05/11	
2 PLACES ±		APPR: MTEUBEL		2022/05/11		2022/05/11	
1 PLACE ±		INITIAL REVISION:		DRWN: SKANDB		2021/11/25	
0 PLACES ±		DRWN: SKANDB		2022/05/11		2022/05/11	
DRAFT WHERE APPLICABLE MUST REMAIN WITHIN DIMENSIONS		FIRST ANGLE PROJECTION		DRAWING: A3-SIZE		SERIES: 173109	
				MATERIAL NUMBER: SEE TABLE		CUSTOMER: GENERAL MARKET	
				DOCUMENT NUMBER: 1731091046		DOC TYPE: PSD	
				DOC PART: 000		REVISION: A	
				SHEET NUMBER: 1 OF 1			



ØE, ØF see data sheet incl. connector  
 ØF connectors with accessories only

MEASUREMENTS WITHOUT TOLERANCE ACC TO ISO 2768-m				REPLACEMENT FOR DOCUMENT NUMBER: AM0023			
THIS DRAWING CONTAINS INFORMATION THAT IS PROPRIETARY TO MOLEX ELECTRONIC TECHNOLOGIES, LLC AND SHOULD NOT BE USED WITHOUT WRITTEN PERMISSION							
FUNCTIONAL SYMBOLS	DIMENSION UNITS	SCALE	CURRENT REV DESC:				
$\nabla_A = 0$	mm	2:1	EC NO: 713905 DRWN: SKANDB 2022/05/16 CHK'D: MTEUBEL 2022/07/12 APPR: MTEUBEL 2022/07/12 INITIAL REVISION: DRWN: SKANDB 2022/05/16 APPR: MTEUBEL 2022/07/12				
$\nabla_E = 0$	GENERAL TOLERANCES (UNLESS SPECIFIED)						
$\nabla_P = 0$	ANGULAR TOL ± °						
DIVISIONAL SYMBOLS	4 PLACES ±						
	3 PLACES ±		PRODUCT CUSTOMER DRAWING				
	2 PLACES ±		DOCUMENT NUMBER		DOC TYPE	DOC PART	REVISION
	1 PLACE ±		2195600023		PSD	000	A
	0 PLACES ±		MATERIAL NUMBER		CUSTOMER		SHEET NUMBER
DRAFT WHERE APPLICABLE MUST REMAIN WITHIN DIMENSIONS		FIRST ANGLE PROJECTION	DRAWING	SERIES	219560	GENERAL MARKET	1 OF 1